



TERMINATOR Series

Component and Coaxial Speaker Pairs

Owner's Manual



TERMINATOR69S / TERMINATOR6S

TERMINATOR69 / TERMINATOR6 / TERMINATOR68

TERMINATOR5 / TERMINATOR46 / TERMINATOR4 / TERMINATOR35



4545 EAST BASELINE RD.
PHOENIX, AZ 85042 U.S.A.

TELEPHONE: (800) 225-5689
SUPPORT@MTX.COM

mtx.com

TERMINATOR Series

Component and Coaxial Speaker Pairs

Owner's Manual

TABLE OF CONTENTS

Introduction / Safety.....	3
Features / Package Contents.....	4
Installation	5
Woofer Mounting	7
Tweeter Mounting	8
Wiring	9
Specifications	10
Dimensional Drawings.....	13
Warranty.....	18

TERMINATOR Series

Component and Coaxial Speaker Pairs

Owner's Manual

INTRODUCTION

Congratulations on the purchase of your new MTX gear. For over 50 years MTX remains an American family-owned manufacturer full of passionate enthusiasts just like you. Thank you for counting on us to help you "Amplify The Ride"!

For best performance and longevity of your audio gear, we recommend you have your new MTX product installed by an Authorized MTX Dealer. Their installation knowledge and expertise will ensure you get the most out of your new equipment while safeguarding against potential issues. Also, please read your product warranty carefully and retain your receipt and original carton for possible future use.

We're here to help with any installation or technical support. Visit www.mtx.com to chat, call 1-800-225-5689 to speak with an MTX Technical Support representative, or visit www.youtube.com/user/MTXAudioUSA to view product videos.

Don't forget to register your new MTX product. Visit www.mtx.com/productregistration or scan the QR code below.

Model # _____

Serial # _____

Dealer's Name _____

Date of Purchase _____



SAFETY

- Please read and follow these instructions to prevent injury and damage to the unit.
- If you are unsure about installing the system by yourself, please have it installed by a qualified MTX technician.
- Whenever working on the vehicle, it is recommended to disconnect the battery prior to starting work. Failure to do so may lead to a risk of electric shock or equipment damage.

When connecting power and ground wires ensure that the red power wire is fused at the point where it is connected to the vehicle's battery. Failure to do so can result in damage to the vehicle if a short circuit develops between the vehicle connection point and the product.

⚠ WARNING: This symbol with "WARNING" is intended to alert the user to the presence of important operating and maintenance (servicing) instructions in the literature accompanying the product.

⚠ CAUTION: This symbol with "CAUTION" is intended to alert the user to the presence of important operating and maintenance (servicing) instructions in the literature accompanying the product.

PROPOSITION 65

This product may expose you to chemicals including lead, which is known to the State of California to cause cancer and birth defects or other reproductive harm. For more information, visit P65Warnings.ca.gov.

TERMINATOR Series

Component and Coaxial Speaker Pairs

Owner's Manual

FEATURES

- Polypropylene Woofer
- Silk Dome Tweeter
- Tweeter Point Source Technology (Coaxial Models)
- Shallow Mounting Depth
- Durable Steel Basket
- Removable Grille for Custom Look
(Excludes TERMINATOR68, TERMINATOR46, and TERMINATOR35 Models)

PACKAGE CONTENTS

Component Speakers

- Speaker Woofer Pair
- Speaker Tweeter Pair
- Woofer Grille Pair
- Installation Hardware
- Tweeter Mounting Hardware

Coaxial Speakers

- Speaker Woofer Pair
- Woofer Grille Pair
(Excludes TERMINATOR68, TERMINATOR46, and TERMINATOR35 Models)
- Installation Hardware



TERMINATOR Series

Component and Coaxial Speaker Pairs

Owner's Manual

INSTALLATION

MTX recommends that you have your new speakers installed by an authorized MTX retailer, preferably MECP certified. If you do decide to do it yourself, make sure you have read the instructions carefully and that you have the following tools:

- Electric Drill
- Phillips Bit or Screwdriver
- 1/8" Bit
- Door Panel Puller
- Wire Cutters / Crimpers
- Metal Cutting Tool
- Safety Glasses
- 2mm Hex Wrench
- X-acto Knife

Throughout installation, keep in mind the ultimate objective of creating an ideal soundstage and exceptional imaging. This refers to the experience you get when you sit in your seat with your head up and shoulders straight, close your eyes, and listen. Where does the music seem to be coming from? In an ideal world, you would hear all music from front and center, meaning it sounds like a band is performing on your hood. Raising the soundstage is a very important process and every option should be considered in order to have your sound as up and in front as possible.

Removing the Door Panel

Please be aware that today's cars have door panels that are not designed to come apart easily; they are designed by the factory to sit tight against the door and not rattle. It is important to note that if the proper procedures are not followed, the door panels can easily become damaged and make them fit improperly when you're trying to reinstall them.

Use a door panel puller to remove the door panel, and be aware there are often hidden screws that, if overlooked, can cause the panel to crack or break when force is applied to remove door panel. It might be a good idea to do some research on your specific car to be sure they are all removed before continuing. Even new car owner needs to be aware of this potential issue. Buying a new door panel is an expensive process so please take note of the potential for damage.

With the door panel off, it is a perfect time to add sound dampener. The main goal of sound dampeners is to add mass to the metal in the door, causing less rattle and "ring" which will help to improve the overall sound of your new speakers. It also helps prevent against outside noise by adding insulation. Sound dampening material can be purchased from your local retailer and is available in many different forms, and kits, for many different applications. Please make sure you purchase the correct type for your specific project.



TERMINATOR Series

Component and Coaxial Speaker Pairs

Owner's Manual

NOTE: Before cutting anything, please use common sense and make sure that no wires or glass will interfere with cutting tools. ALWAYS WEAR PROPER SAFETY GLASSES. Be sure all wires are clear of moving parts such as window crank mechanisms and trunk hinges. Use rubber grommets when running wires through sharp edged metal holes, which may wear through the wire's insulation.

Do not mount speakers where they could come in contact with:

- The door's window glass
- The window gear assembly or crank handle when rotated
- The trunk springs, shock towers, or trunk lid
- The gas tank or fuel lines



TERMINATOR Series

Component and Coaxial Speaker Pairs

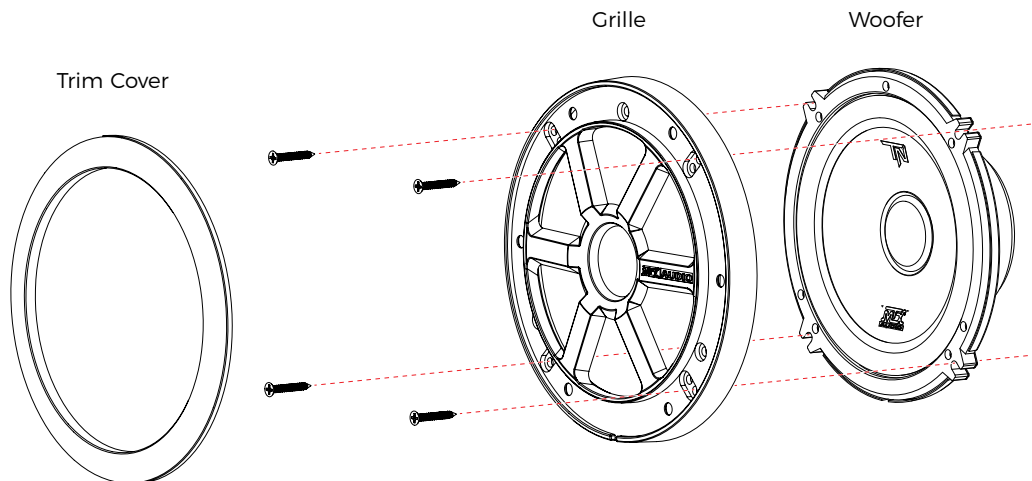
Owner's Manual

WOOFER MOUNTING

To get the best possible music reproduction, it is important to isolate the sound that is produced from the rear of the speaker from the sound that is produced from the front of the speaker. To isolate the front from the back wave, make sure the speaker is mounted in a baffle or plate, so that the back of the speaker is in a sealed chamber.

Mounting

- Select the mounting location (door panels, rear side panels, rear deck, etc...)
- Using the supplied templates, mark the mounting holes on the door panel or rear deck
- Drill or cut the required holes as needed
- Install the units as illustrated in the diagrams



TERMINATOR Series

Component and Coaxial Speaker Pairs

Owner's Manual

TWEETER MOUNTING

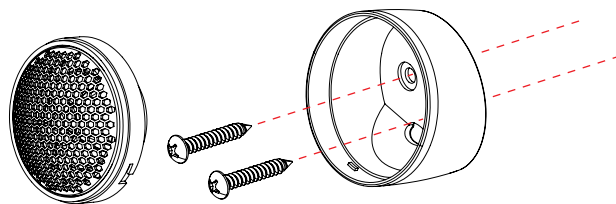
Angle Mounting

- Select mounting location. Mark wire hole and screw locations using the angle cup as a template.
- Drill holes for tweeter wires and mounting screws
- Using the supplied screws, attach the angle cup to surface
- Run tweeter wires through the hole and twist the tweeter into the cup
- Connect the tweeter wires to the supplied crossover

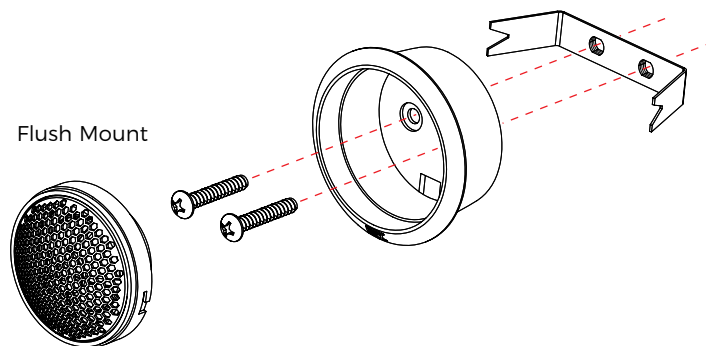
Flush Mounting

- Select mounting location and mark a 1-7/8" (48mm) diameter hole with supplied template
- Cut out the 1-7/8" hole (a hole saw is recommended for metal and hard plastic surfaces; an X-acto knife for any other surface)
- Place the supplied machine screws through the flush cup and thread into the mounting clip, but do not tighten
- Take the assembled flush cup and mounting clip and place them into the 1-7/8" diameter hole, making sure the mounting clip goes completely through the hole
- Tighten the screw in the base of the flush cup until the cup is completely tight
- Run tweeter wires through the hole and twist the tweeter into the cup

Angle Mount



Flush Mount



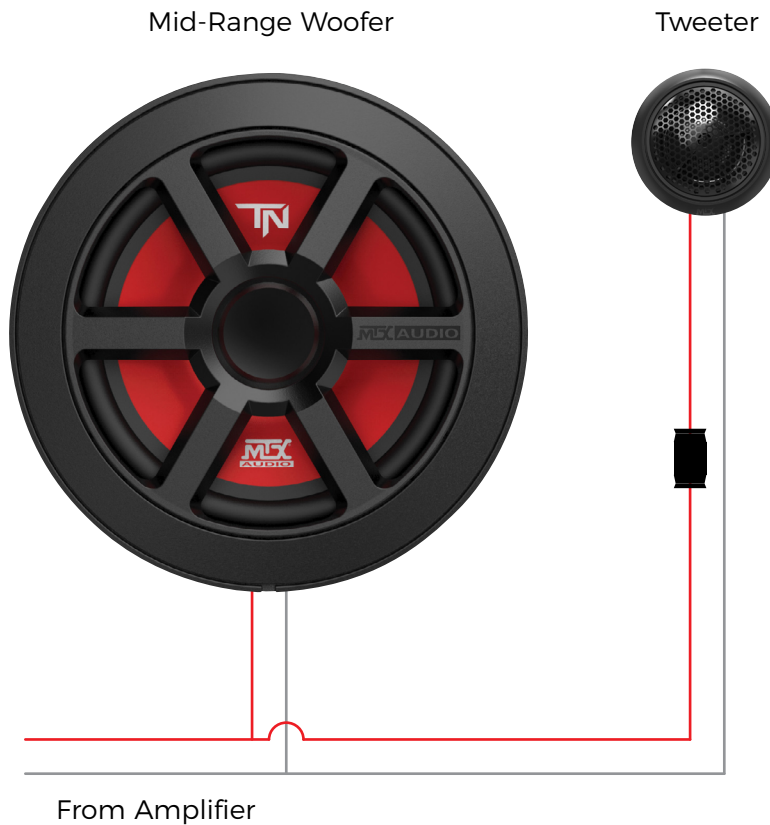
TERMINATOR Series

Component and Coaxial Speaker Pairs

Owner's Manual

WIRING

1. Use the illustration for proper connection.
2. Be sure to maintain speaker polarity.
3. Connect the Mid-Range Woofer to Amplifier using the included harness.
4. Connect the Tweeter to Amplifier using the included harness with built-in crossover.



TERMINATOR Series

Component and Coaxial Speaker Pairs

Owner's Manual

SPECIFICATIONS

PARAMETERS	TERMINATOR69S	TERMINATOR6S	TERMINATOR69
Speaker Type	2-Way Component	2-Way Component	2-Way Coaxial
Nominal Diameter	6" x 9" (152.40mm x 228.60mm)	6.5" (165.10mm)	6" x 9" (152.40mm x 228.60mm)
Impedance	4Ω	4Ω	4Ω
Frequency Response	49Hz - 20kHz	62Hz - 20kHz	51Hz - 20kHz
Power Handling (RMS / Peak)	60W / 120W	45W / 90W	60W / 120W
Sensitivity (2.83V/1m)	90.0dB	85.5dB	87.8dB
Mounting Cutout Diameter	5-11/16" x 8-1/2" (142.94mm x 214.94mm)	4-15/16" (124.83mm)	5-11/16" x 8-1/2" (142.94mm x 214.94mm)
Mounting Depth	2-3/4" (69.84mm)	1-11/16" (41.40mm)	2-13/16" (70.10mm)
Includes Grille	Yes	Yes	Yes



TERMINATOR Series

Component and Coaxial Speaker Pairs

Owner's Manual

PARAMETERS	TERMINATOR6	TERMINATOR68	TERMINATOR5
Speaker Type	2-Way Coaxial	2-Way Coaxial	2-Way Coaxial
Nominal Diameter	6.5" (165.10mm)	5" x 7" (127mm x 177.80mm)	5.25" (133.35mm)
Impedance	4Ω	4Ω	4Ω
Frequency Response	62Hz - 20kHz	47Hz - 20kHz	65Hz - 20kHz
Power Handling (RMS / Peak)	45W / 90W	55W / 110W	35W / 70W
Sensitivity (2.83V/1m)	86.8dB	87.9dB	85.3dB
Mounting Cutout Diameter	4-15/16" (124.83mm)	5" x 7-1/4" (126.14mm x 182.68mm)	4-1/2" (114.28mm)
Mounting Depth	1-11/16" (41.50mm)	2-3/8" (59.50mm)	1-3/4" (42.93mm)
Includes Grille	Yes	No	Yes



TERMINATOR Series

Component and Coaxial Speaker Pairs

Owner's Manual

PARAMETERS	TERMINATOR46	TERMINATOR4	TERMINATOR35
Speaker Type	2-Way Coaxial	2-Way Coaxial	2-Way Coaxial
Nominal Diameter	4" x 6" (101.60mm x 152.40mm)	4" (101.60mm)	3.5" (88.90mm)
Impedance	4Ω	4Ω	4Ω
Frequency Response	85Hz - 20kHz	93Hz - 20kHz	114Hz - 20kHz
Power Handling (RMS / Peak)	40W / 80W	30W / 60W	20W / 40W
Sensitivity (2.83V/1m)	86.1 dB	88.1 dB	86dB
Mounting Cutout Diameter	3-5/8" x 5-5/8" (90.74mm x 141.94mm)	3-7/8" (97.00mm)	3-1/8" (78.00mm)
Mounting Depth	1-5/8" (39.88mm)	1-11/16" (42.00mm)	1-5/16" (33.00mm)
Includes Grille	No	Yes	No



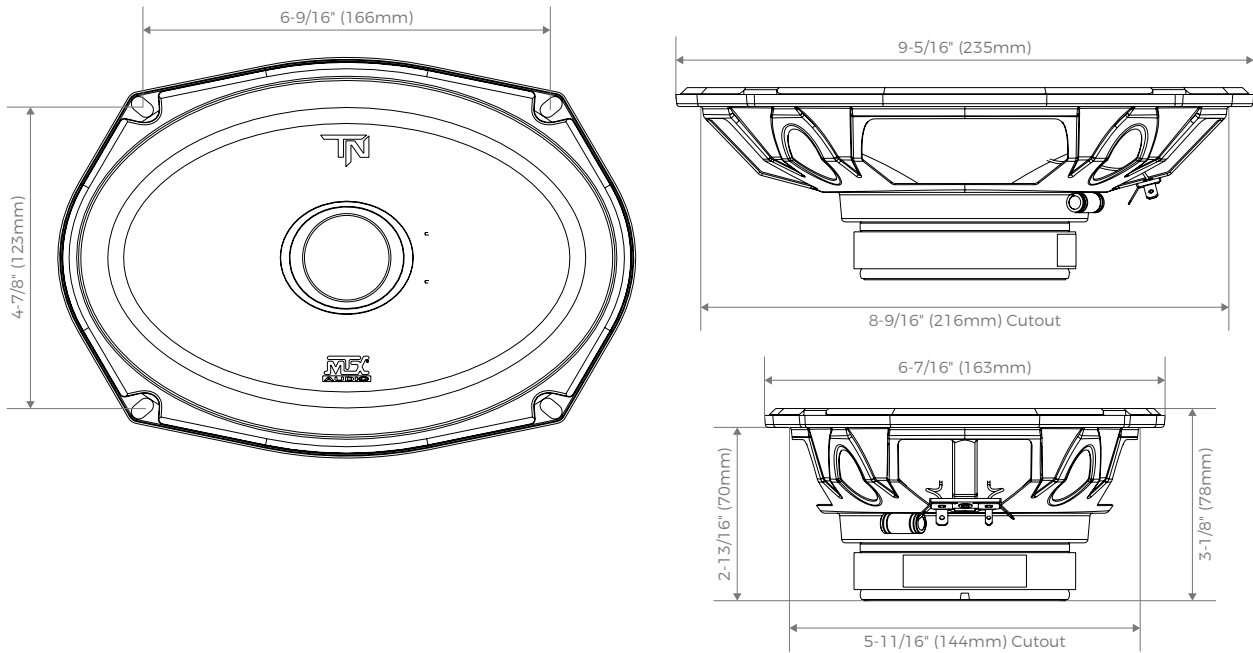
TERMINATOR Series

Component and Coaxial Speaker Pairs

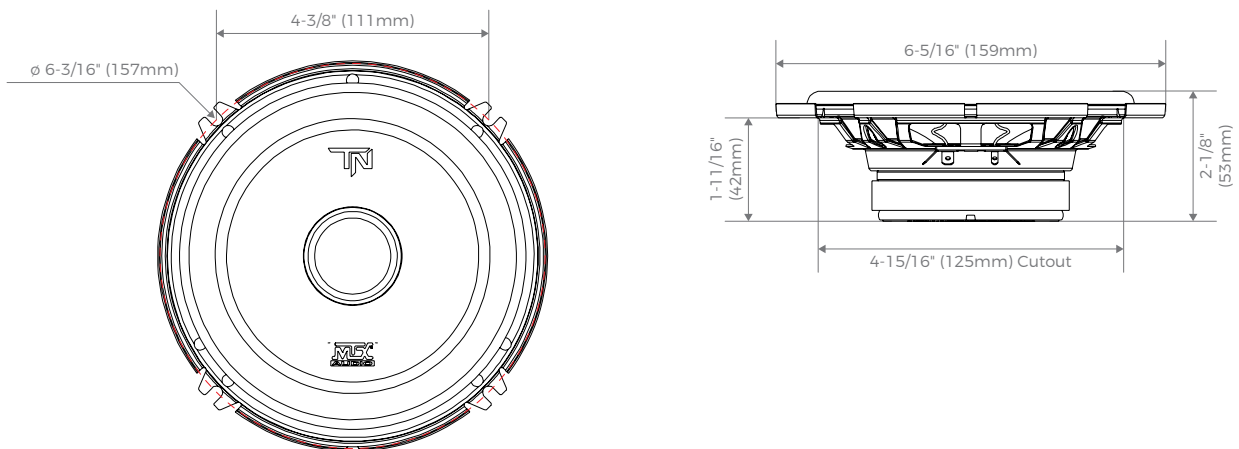
Owner's Manual

DIMENSIONAL DRAWINGS

TERMINATOR69S



TERMINATOR6S

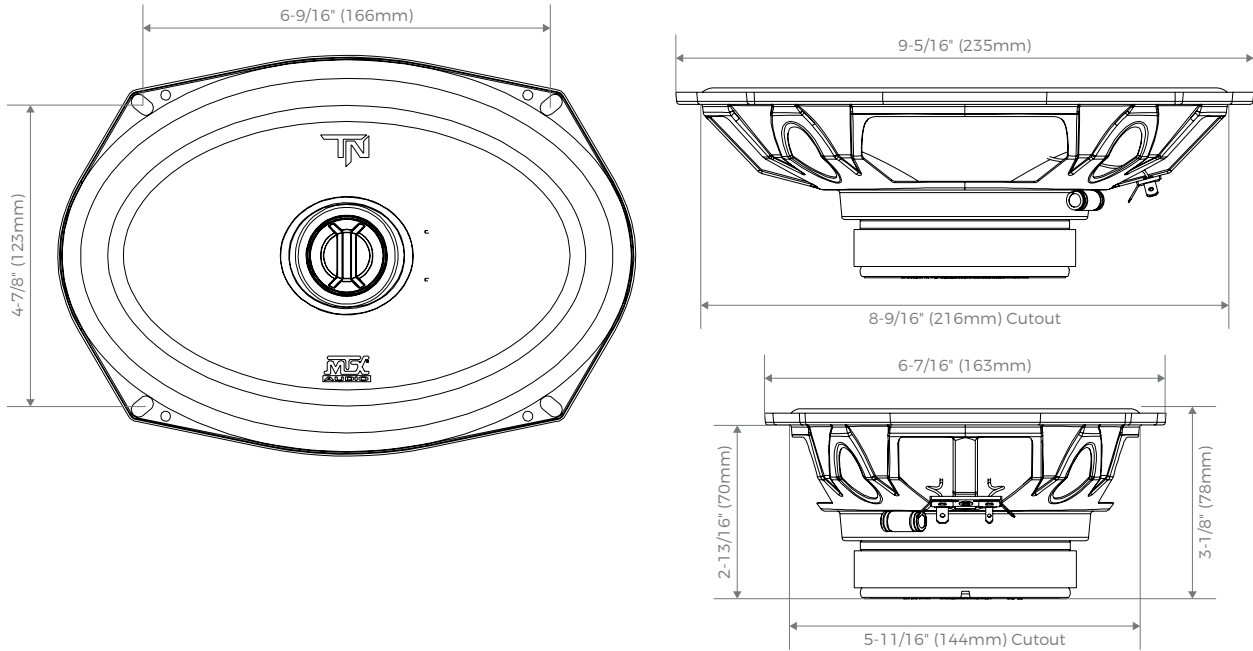


TERMINATOR Series

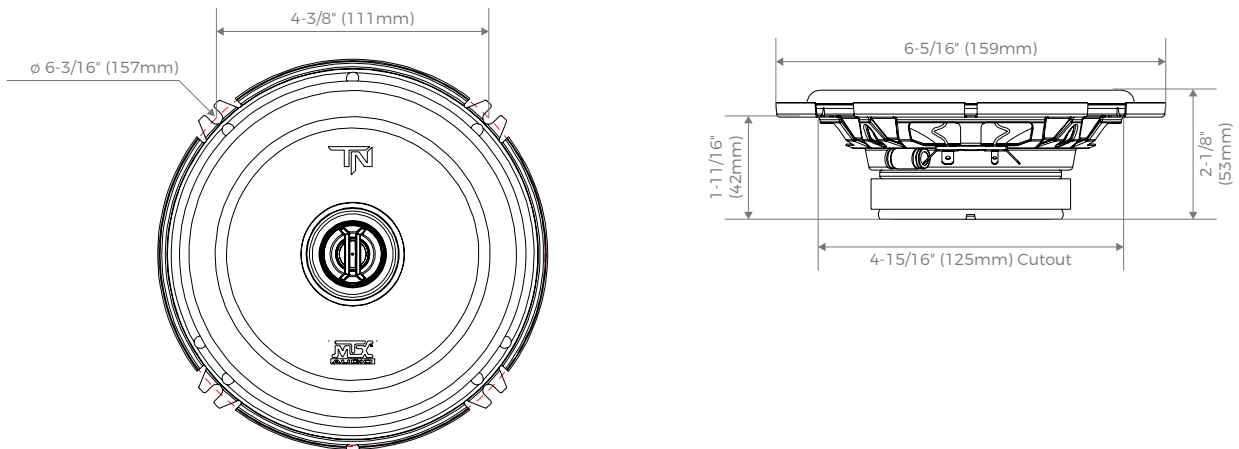
Component and Coaxial Speaker Pairs

Owner's Manual

TERMINATOR69



TERMINATOR6

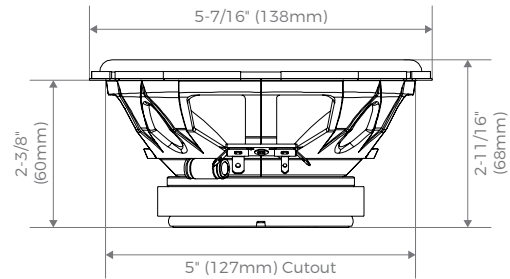
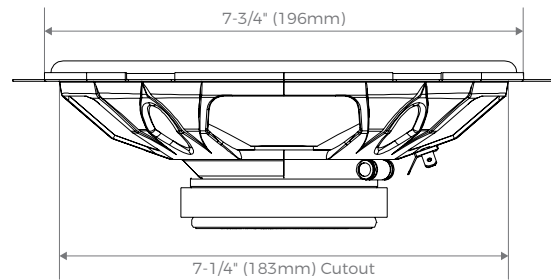
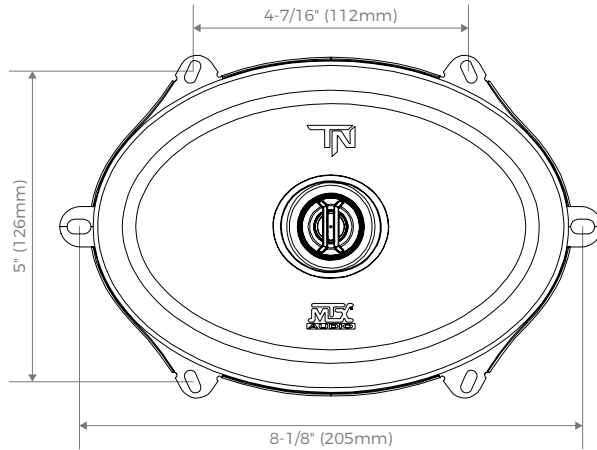


TERMINATOR Series

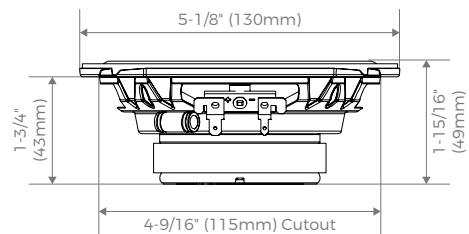
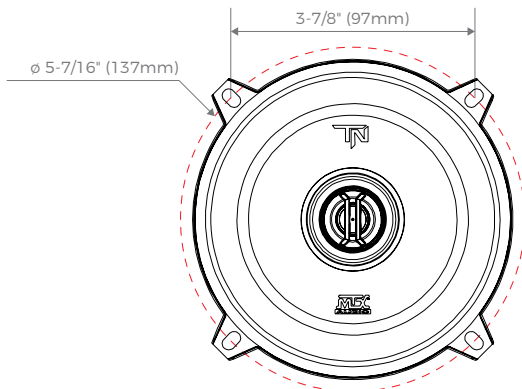
Component and Coaxial Speaker Pairs

Owner's Manual

TERMINATOR68



TERMINATOR5

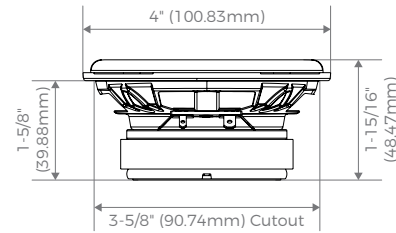
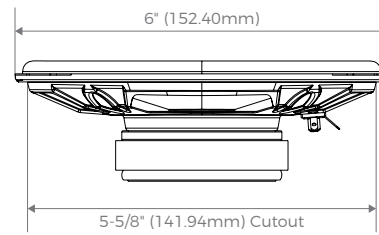
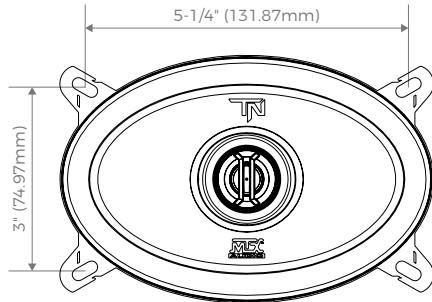


TERMINATOR Series

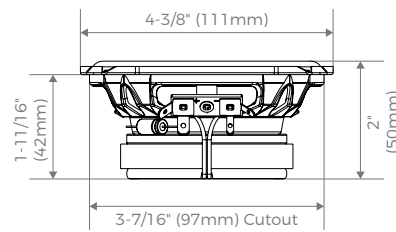
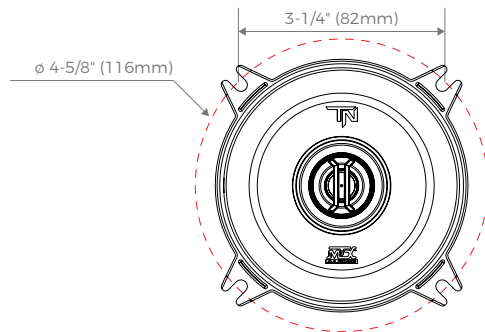
Component and Coaxial Speaker Pairs

Owner's Manual

TERMINATOR46



TERMINATOR4

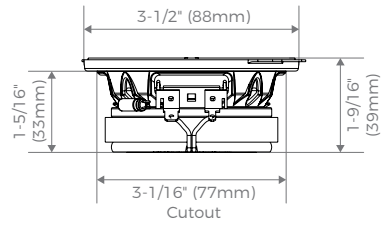
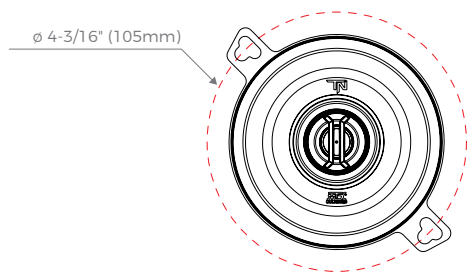


TERMINATOR Series

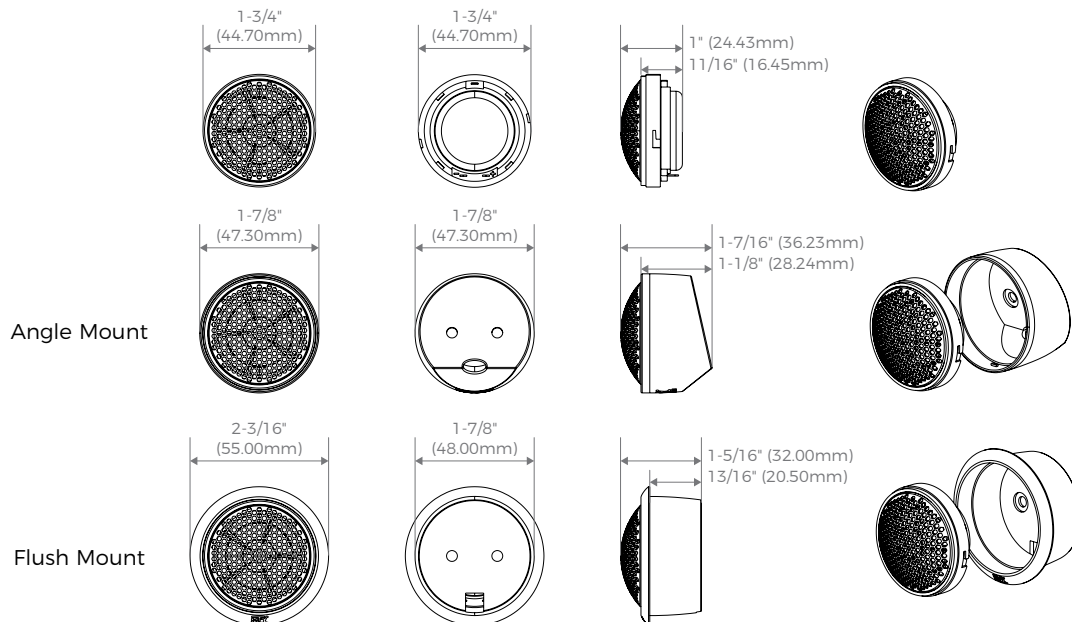
Component and Coaxial Speaker Pairs

Owner's Manual

TERMINATOR35



TERMINATOR Tweeter



TERMINATOR Series

Component and Coaxial Speaker Pairs

Owner's Manual

MITEK WARRANTY

MiTek Mobile products (including, but not limited to: MTX, ThunderLink, ThunderWire, Coustic, Streetwires, Xtant, BassSlammer, and Thunder Marine) purchased in the USA from an AUTHORIZED MITEK DEALER are guaranteed against defects in material and workmanship for two years. The warranty period begins the day the product is purchased by the end user, and this warranty is limited to the original retail purchaser of product. Products found to be defective during the warranty period will be repaired or replaced with equivalent product by MiTek at no charge. This warranty is void if it is determined that unauthorized parties have attempted repairs or alterations of any nature, and the warranty does not extend to cosmetics or finish. MiTek disclaims any liability for other incurred or consequential damages resulting from product defects. MiTek's total liability will not exceed the purchase price of the product.

We're here to help! If you experience an issue with any of our products, please contact our customer service technical line at 1-800-CALL-MTX to help troubleshoot your issue. If after speaking with our technical experts it is determined that your product is defective, the technician will provide you with a Return Authorization number and all relevant details you'll need to process your claim quickly.



© 2026 MiTek Corporation. All rights reserved. MTX is a trademark of MiTek Corporation. All other trademarks are property of their respective owners. Designed and Engineered in the U.S.A. Due to continual product development, all specifications are subject to change without notice.

MTX Audio, 4545 East Baseline Rd. Phoenix, AZ 85042 U.S.A. 1-800-225-5689

MTX008695 RevA 5/26 · AW0016613



4545 EAST BASELINE RD.
PHOENIX, AZ 85042 U.S.A.

TELEPHONE: (800) 225-5689
SUPPORT@MTX.COM

mtx.com