



ALL-WEATHER MEDIA CONTROLLER



AWMC4

INTRODUCTION

Congratulations on the purchase of your new MTX gear. For over 50 years MTX remains an American family-owned manufacturer full of passionate enthusiasts just like you. Thank you for counting on us to help you “Amplify The Ride”!

For best performance and longevity of your audio gear, we recommend you have your new MTX product installed by an Authorized MTX Dealer. Their installation knowledge and expertise will ensure you get the most out of your new equipment while safeguarding against potential issues. Also, please read your product warranty carefully and retain your receipt and original carton for possible future use.

We're here to help with any installation or technical support. Visit www.mtx.com to chat, call 1-800-225-5689 to speak with an MTX Technical Support representative, or visit www.youtube.com/user/MTXAudioUSA to view product videos.

Don't forget to register your new MTX product. Visit www.mtx.com/productregistration or scan the QR code below.

Model # _____

Serial # _____

Dealer's Name _____

Date of Purchase _____



TABLE OF CONTENTS

2. Introduction / Safety
3. Features / Ratings / Package Contents
4. Installation
5. Wiring
6. Controls
7. Key Functions
8. Operation
11. Specifications
12. Dimensions
14. Warranty

SAFETY

- Please read and follow these instructions to prevent injury and damage to the unit.
- If you are unsure about installing the system by yourself, please have it installed by a qualified MTX technician.
- Whenever working on the vehicle, it is recommended to disconnect the battery prior to starting work. Failure to do so may lead to a risk of electric shock or equipment damage.

When connecting power and ground wires ensure that the yellow power wire is fused at the point where it is connected to the vehicle's battery. Failure to do so can result in damage to the vehicle if a short circuit develops between the vehicle connection point and the product.

⚠ WARNING: This symbol with “WARNING” is intended to alert the user to the presence of important operating and maintenance (servicing) instructions in the literature accompanying the product.

⚠ CAUTION: This symbol with “CAUTION” is intended to alert the user to the presence of important operating and maintenance (servicing) instructions in the literature accompanying the product.

FEATURES

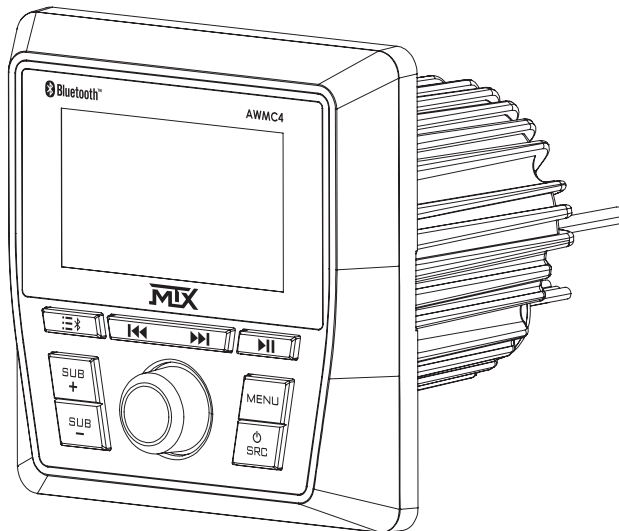
- 3" Full Color TFT Display
- Dual Camera Inputs
- FM / AM / WB Tuner
- Bluetooth® Audio Streaming
- AUX Audio Input
- USB Audio Input / Device Charging
 - Unit Will Play Audio Files Saved On a USB Drive
 - Unit Will Charge a Mobile Device (No Audio Playback)
- Selectable EQ
- 3 Sets of RCA Preouts (Front / Rear / Sub)
- Subwoofer Volume Button Controls
- Backlit RGB Control Buttons

RATINGS

- IP66 Rated Front / IP65 Rated Rear
- ASTM D4329-2013 UV Testing - 500 Hours

PACKAGE CONTENTS

- All-Weather Media Controller
- U-Shape Mounting Bracket
- Wiring Harness
- (4) M3.5 x 40 mm Mounting Screws
- (2) M4 x 40mm Threaded Studs
- (2) M4 Hex Nuts
- Owner's Manual



INSTALLATION

Using Mounting Screws

To mount the device, find a flat surface with adequate clearance behind it for the device and all it's necessary wiring. Ensure there is enough clearance for the mounting screws.

1. Once the mounting location has been determined, cut a circular hole 3" (77mm) in diameter.
2. Remove the trim bezel from the front of the device by disengaging the clips around the outer edge.
3. Slide the device and wiring through the hole in the mounting location.
4. Secure the device to the mounting location using the (4) mounting screws. Mark and drill pilot holes if needed.
5. Press the trim bezel on to the front of the device until it snaps in place.
6. Plug in the wiring harness and connect all cables. Refer to the wiring diagram on page 5 for connection details.

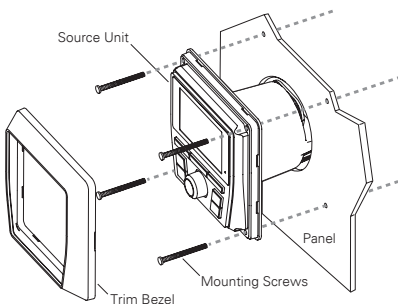


Figure 1

Using U-Shape Mounting Bracket

To mount the device, find a flat surface with adequate clearance behind it for the device and all it's necessary wiring. Ensure there is enough clearance to access the rear of the device to install the mounting bracket and tighten the hex nuts.

1. Once the mounting location has been determined, cut a circular hole 3" (77mm) in diameter.
2. Install the (2) threaded studs into the back of the device and tighten by hand.
3. Slide the device and wiring through the hole in the mounting location.
4. Slide the U-shaped bracket over the two studs on the back of the device, then tighten down with the (2) hex nuts.
5. Plug in the wiring harness and connect all cables. Refer to the wiring diagram on page 5 for connection details.

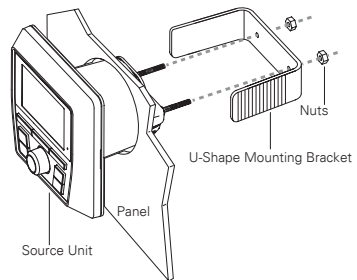


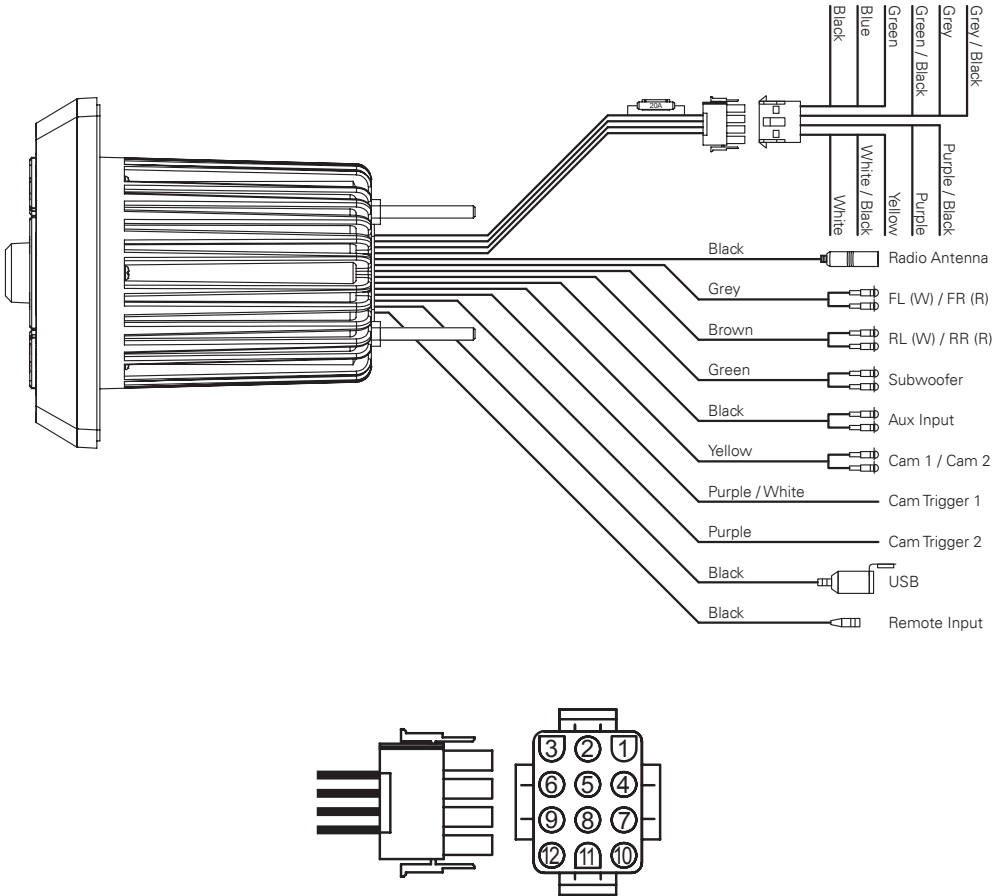
Figure 2

Using Optional Vehicle Specific Dash Mount Kit

(Sold Separately)

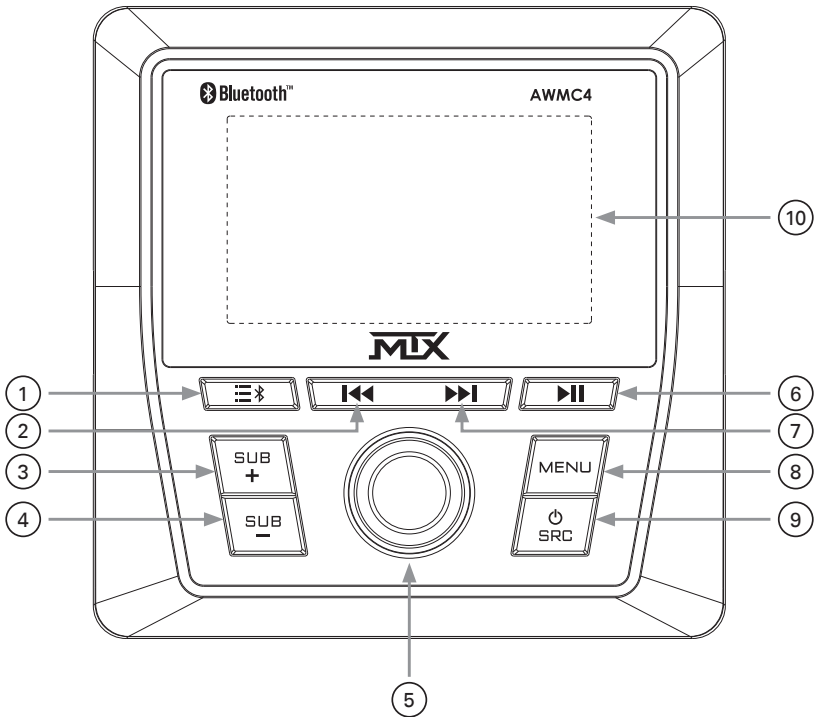
MTX offers a selection of vehicle specific dash mount kits for the AWMC4 media controller. The device will be mounted to each vehicle differently. Make sure to follow the directions that were included with the dash kit. Visit mtx.com for a list of compatible vehicle specific dash mount kits.

WIRING



Pin Number	Wire Color	Wire Spec.	Description
1	Green	20# AWG	Rear Left Speaker (+)
2	Blue	20# AWG	Remote Turn On
3	Black	16# AWG UL	Ground
4	Gray / Black	20# AWG	Front Right Speaker (-)
5	Gray	20# AWG	Front Right Speaker (+)
6	Green / Black	20# AWG	Rear Left Speaker (-)
7			
8	Purple / Black	20# AWG	Rear Right Speaker (-)
9	Purple	20# AWG	Rear Right Speaker (+)
10	Yellow	16# AWG UL	Battery (+12V)
11	White / Black	20# AWG	Front Left Speaker (-)
12	White	20# AWG	Front Left Speaker (+)

CONTROLS



1. Preset / File List / Bluetooth Button - This push button accesses the FM / AM radio preset lists, the USB file list / menu, and is also used to disconnect Bluetooth connections.
2. Previous Button - This push button selects the previous track or tune to the previous radio station.
3. Sub + Button - This push button increases the subwoofer volume level.
4. Sub – Button - This push button decreases the subwoofer volume level.
5. Volume Knob - This knob is used to adjust volume, navigate device setting menus, and adjust settings. Pressing the knob activates the camera inputs and confirms device selections.
6. Play / Pause Button - This push button is used to play and pause the audio, and also mutes the audio in FM / AM / WB Radio or AUX modes.
7. Next Button - This push button selects the next track or tunes to the next radio station.
8. Menu Button - This push button accesses the menu function to adjust device settings.
9. Power / SRC Button - This push button is used to turn the device on / off and to access the audio source menu.
10. Device Display

KEY FUNCTIONS

Key Functions						
Keys	Action	Radio	USB	Aux In	BT Music	Standby
 SRC	Short	Source change	Source change	Source change	Source change	Power on
	Long	Power off	Power off	Power off	Power off	Power on
MENU	Short	Setting menu / back (Returns to the previous directory)	Setting menu / back (Returns to the previous directory)	Setting menu / back (Returns to the previous directory)	Setting menu / back (Returns to the previous directory)	-
	Long	Exit menu	Exit menu	Exit menu	Exit menu	-
	Short	Preset list	File List -> RPT One -> RPT All -> RDM On	-	-	-
	Long	Storage station to preset number (1-18)	-	-	BT disconnect	-
SUB -	Short	SUB volume down	SUB volume down	SUB volume down	SUB volume down	-
	Long	Continuously reduce SUB volume	Continuously reduce SUB volume	Continuously reduce SUB volume	Continuously reduce SUB volume	-
SUB +	Short	SUB volume up	SUB volume up	SUB volume up	SUB volume up	-
	Long	Continuously increase SUB volume	Continuously increase SUB volume	Continuously increase SUB volume	Continuously increase SUB volume	-
	Short	Mute on / off	Play / Pause	Mute on / off	Play / Pause	-
	Long	Auto store	-	-	-	-
	Short	Seek down	Previous file	-	Previous track	-
	Long	Manual tune down	Rewind	-	-	-
	Short	Seek up	Next file	-	Next track	-
	Long	Manual tune up	Fast Forward	-	-	-
VOL	Rotary	Volume up / down; menu navigation	Volume up / down; menu navigation	Volume up / down; menu navigation	Volume up / down; menu navigation	-
SEL (Push VOL)	Short	Camera 1 / Camera 2 / Exit / Enter	Camera 1 / Camera 2 / Exit / Enter	Camera 1 / Camera 2 / Exit / Enter	Camera 1 / Camera 2 / Exit / Enter	-
	Long	Day / Night	Day / Night	Day / Night	Day / Night	-

GENERAL OPERATION

Power On / Off

Press the POWER / SRC button to turn the device On. Press and Hold the POWER / SRC button to turn the device Off.

Selecting Audio Sources

Press the POWER / SRC button to display the Audio Source screen. Rotate the VOL knob to highlight the desired audio source, then press the VOL knob to select. **Note:** The current audio source will be shown in the top left corner of the device display.

Adjusting the Volume

Rotate the VOL knob to adjust volume level. The current volume level (0 - 40) will be displayed when adjusting.

Adjusting the Subwoofer Level

Press the SUB + or SUB – buttons to adjust the subwoofer level. The current subwoofer level (0 - 20) will be displayed when adjusting.

Device Settings

Press the MENU button and rotate the VOL knob to access the following device settings:

- Audio: Audio Setting menu. See Details in Audio Settings section below.
- Language: Select language for device display.
- Beep: Toggles audible beep when buttons are pressed on / off.
- Radio Area: Select between US and Europe.
- Local: Prioritizes radio stations with stronger signal when using seek function.
- Gain Level: Adjust volume level between audio sources.
- Brightness / Contrast / Hue: Make fine adjustments to the device display.
- Dimmer: Dims the device display.
- Max Volume: Set the maximum volume level between 0 and 40.
- Color: Changes the color of the backlit control buttons.
- Information: Displays device software version information.

- Reset: Restores device to factory settings and deletes all custom settings.

Rotate the VOL knob to make adjustments, then press the VOL knob to make selections. Press the MENU button to return to previous setting / screen and to exit the device settings menu.

Audio Settings

Enter the Audio Settings menu, then rotate the VOL knob to access the following audio settings:

- Balance: Adjust audio level Left to Right.
- Fade: Adjust audio level Front to Rear.
- Loud: Toggles Loudness on / off.
- EQ: Select between 5 presets or create user-defined EQ preset by manual adjustment.
- Subwoofer: Select between Full, 80Hz, 120Hz, and 160Hz Low Pass Filter for Sub RCA Preouts.
- HPF: Select between Full, 60Hz, 80Hz, 120Hz, or 180Hz High Pass Filter for Front / Rear RCA Preouts.

Rotate the VOL knob to make adjustments, then press the VOL knob to make selections. Once all audio adjustments have been made, press the MENU button to exit the audio settings menu.

Day / Night Mode

Press and hold the VOL button to switch between Day / Night mode on the device display.

FM / AM RADIO OPERATION

Selecting FM / AM Radio Source

Press the POWER / SRC button to display the Audio Source screen. Rotate the VOL knob to highlight the FM Radio or AM Radio source, then press the VOL knob to select.

Searching FM / AM Radio Stations

When an FM or AM Radio source has been selected, the PREVIOUS / NEXT Buttons are used to tune to the desired radio frequency.

- Seek Tuning: Press the PREVIOUS / NEXT buttons to seek and automatically tune to the next available frequency.

- **Manual Tuning:** Press and Hold the PREVIOUS / NEXT buttons to activate manual tuning. In Manual tuning mode, each brief press of the PREVIOUS / NEXT Buttons will allow for fine tuning to the desired frequency.

Mute On / Off

Press the PLAY / PAUSE button to mute the audio. Press it again to unmute or adjust the VOL knob.

Automatically Store Radio Stations

Press and hold the PLAY / PAUSE button for 2 seconds to seek and automatically store strongest stations to the presets.

Manually Store Radio Stations

Tune to the desired station using the PREVIOUS / NEXT buttons. Press the PRESET / FILE LIST / BLUETOOTH button. Rotate the VOL knob to select a numbered preset, then press and hold the PRESET / FILE LIST / BLUETOOTH button to save to this preset.

Recall Preset Station

Press the PRESET / FILE LIST / BLUETOOTH button. Rotate the VOL knob to highlight the desired preset, then press the VOL knob to select.

Note: There are 18 available FM Radio presets and 12 AM Radio presets. Use the VOL knob to scroll and select.

WB (WEATHER BAND) RADIO OPERATION

Selecting WB Radio Source

Press the POWER / SRC button to display the Audio Source screen. Rotate the VOL knob to highlight the WB Radio source, then press the VOL knob to select.

Searching WB Radio Stations

When WB Radio source has been selected, the PREVIOUS / NEXT buttons are used to tune to the desired radio frequency.

- **Seek Tuning:** Briefly press the PREVIOUS / NEXT buttons to seek and automatically tune to the next available frequency.

- **Note:** Manual Tuning is not available for WB Radio.

Recall Preset Station

Press the PRESET / FILE LIST / BLUETOOTH button. Rotate the VOL knob to highlight the desired preset, then press the VOL knob to select.

Note: The 7 Weather Band frequencies are stored as presets and cannot be modified.

BLUETOOTH OPERATION

Device Pairing

Turn on the Bluetooth feature of the mobile device to be paired. Access the Bluetooth Settings on the Mobile device and select "AWMC4" to pair. When the device is successfully paired, the BT mark will be shown on the top right corner of the AWMC4 display. **Note:** Once a mobile device has been paired to the AWMC4, it will automatically be connected until it is manually unpaired / forgotten on the mobile device.

Selecting Bluetooth Audio Source

Press the POWER / SRC button to display the Audio Source screen. Rotate the VOL knob to highlight the BT audio source, then press the VOL knob to select. **Note:** Audio will begin to play from your mobile device automatically when BT source is selected.

Play / Pause

Press the PLAY / PAUSE button to play or pause the audio.

Skip Forward / Back

Press PREVIOUS / NEXT buttons to skip to previous / next track.

Device Disconnect

Press and hold the PRESET / FILE LIST / BLUETOOTH button to disconnect all mobile devices paired to the AWMC4.

USB OPERATION

Connecting USB Drive

Remove the protective cover from the USB cable attached to the rear of the device and insert USB drive securely into plug.

*See Page 5 for Wiring Diagram

Selecting USB Audio Source

When a USB drive is connected to the device, the saved audio files will begin to play automatically. If a USB drive is already connected to the device, press the POWER / SRC button to display the Audio Source screen. Rotate the VOL knob to highlight the USB audio source, then press the VOL knob to select.

Selecting Files & Playlists

To select a specific file saved on the USB drive, press the PRESET / FILE LIST / BLUETOOTH button, then select "Playlists" by pressing the VOL knob. Rotate the VOL knob to highlight the desired file to be played, then press the VOL knob again to select. Press the PRESET / FILE LIST / BLUETOOTH button again to access additional folders / playlists saved on the USB drive, then select desired files by rotating and pressing the VOL knob.

Play / Pause

Press the PLAY / PAUSE button to play or pause the file.

Skip Forward / Back & Fast Forward / Rewind

Press PREVIOUS / NEXT buttons to skip to previous / next track. Press and hold PREVIOUS / NEXT buttons to fast forward or rewind.

Repeat / Random

Press the PRESET / FILE LIST / BLUETOOTH button to enter the USB menu. Rotate and press VOL knob to enable the following functions:

- Repeat One: Plays the selected file continuously.
- Repeat All: Plays all files in the selected playlist, then repeats.
- Random: Plays all files in the selected playlist randomly.

AUX OPERATION

Connecting Aux Audio

Connect the AUX Audio device using the AUX IN RCA cable attached to the rear of the device.

*See Page 5 for Wiring Diagram

Selecting AUX Audio Source

Press the POWER / SRC button to display the Audio Source screen. Rotate the VOL knob to highlight the AUX audio source, then press the VOL knob to select.

Mute On / Off

Press the PLAY / PAUSE button to mute the audio. Press it again to unmute or adjust the VOL knob.

Note: When using the AUX Audio source, track / song selection and pause / play functionality is controlled by the connected AUX device only.

CAMERA OPERATION

Connecting Camera Sources

Connect up to 2 Camera Sources (sold separately) using the CAMERA 1 / CAMERA 2 Input cables attached to the rear of the device. Connect the CAMERA 1 Trigger / CAMERA 2 Trigger wires to a switched +12v source to used to send the video signal to the device display. (Optional)

*See Page 5 for Wiring Diagram

Selecting Camera Source

There are two ways to switch to Camera 1 or Camera 2:

- **Remote Trigger:** The CAMERA 1 / CAMERA 2 video signal will be shown on the device display when +12V is applied to the CAMERA 1 Trigger / CAMERA 2 Trigger wires triggered by switch or other remote source.
- **Manual Selection:** Press the VOL button once to display CAMERA 1 Video Signal, or press the VOL button twice to display CAMERA 2 Video Signal. Press the VOL button again to exit camera mode and return to the Audio Source screen.

Note: The device will continue to play the audio from the selected audio source during camera operation but will display the video Source in the top left corner of the device display.

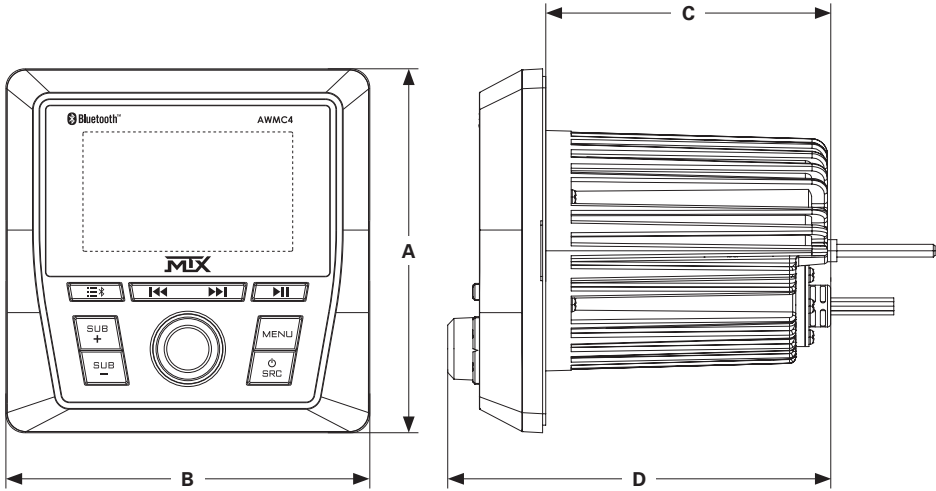
SPECIFICATIONS

General	
Power Supply Requirements	DC 10.5-16 Volts, Negative Ground
Fuse	20 Amp
Operating Temperature	-4°F to 158°F (-20°C to 70°C)
Maximum Output Power	4 x 40 watts
Line Out Level / Load	4V/10K Ohm Load
Frequency Response	20Hz - 20KHz
Radio	
FM Frequency Range (USA)	87.5 - 107.9 MHz
FM Frequency Range (Europe)	87.5 - 108 MHz
FM Preset Stations	18
AM Frequency Range (USA)	530 - 1710 KHz
AM Frequency Range (Europe)	522 - 1620 KHz
AM Preset Stations	12
WB Frequency Range	162.400 - 162.550 MHz
WB Preset Stations	7
USB	
USB Compatibility	USB 2.0
Support Format	MP3 / WMA / FLAC / WAV
USB Charging	1.5A
Bluetooth	
Music Streaming	A2DP
Bluetooth Version	5.0

Note: Specification and the design are subject to possible modification without notice due to improvements.

DIMENSIONS

<i>Model</i>	<i>Height (A)</i>	<i>Width (B)</i>	<i>Mounting Depth (C)</i>	<i>Overall Depth (D)</i>
AWMC4	4 1/2" (115mm)	4 1/2" (115mm)	3 1/2" (90mm)	4 3/4" (121mm)



FCC INFORMATION

This equipment has been tested and found to comply with the limits for a Class B digital device, pursuant to Part 15 of the FCC rules. These limits are designed to provide reasonable protection against harmful interference in a residential installation. This equipment generates, uses, and can radiate radio frequency energy and, if not installed and used in accordance with the instructions, may cause harmful interference to radio communications. However, there is no guarantee that interference will not occur in a particular installation. If this equipment does cause harmful interference to radio or television reception, which can be determined by turning the equipment off and on, you are encouraged to try to correct the interference by one or more of the following measures:

- Reorient or relocate the receiving antenna.
- Increase the separation between the equipment and receiver.
- Connect the equipment to an outlet on a different circuit than the one to which the receiver is connected.
- Consult the dealer or an experienced radio/TV technician for help.

Changes or modifications not expressly approved by Mitek Corporation could void the user's authority to operate this equipment. This device complies with part 15 of the FCC Rules. Operation is subject to the following two conditions: (1) This device may not cause harmful interference, and (2) this device must accept any interference received, including interference that may cause undesired operation

MITEK WARRANTY

MiTek Mobile products (including, but not limited to: MTX, Coustic, Streetwires, Xtant, BassSlammer, and Thunder Marine) purchased in the USA from an AUTHORIZED MITEK DEALER are guaranteed against defects in material and workmanship for two years. The warranty period begins the day the product is purchased by the end user, and this warranty is limited to the original retail purchaser of product. Products found to be defective during the warranty period will be repaired or replaced with equivalent product by MiTek at no charge. This warranty is void if it is determined that unauthorized parties have attempted repairs or alterations of any nature, and the warranty does not extend to cosmetics or finish. MiTek disclaims any liability for other incurred or consequential damages resulting from product defects. MiTek's total liability will not exceed the purchase price of the product.

We're here to help! If you experience an issue with any of our products , please contact our customer service technical line at 1-800-CALL-MTX to help troubleshoot your issue. If after speaking with our technical experts it is determined that your product is defective, the technician will provide you with a Return Authorization number and all relevant details you'll need to process your claim quickly.

NOTES

Let's Get Social mtx.com



Like, Follow, & Subscribe

© 2024 MiTek Corporation. All rights reserved. MTX is a trademark of MiTek Corporation. All other trademarks are property of their respective owners. Designed and Engineered in the U.S.A.

Due to continual product development, all specifications are subject to change without notice.

MTX Audio, 4545 East Baseline Rd. Phoenix, AZ 85042 U.S.A. 1-800-225-5689

MTX007495 RevA 2/24 • AW0016162 • 1-19259