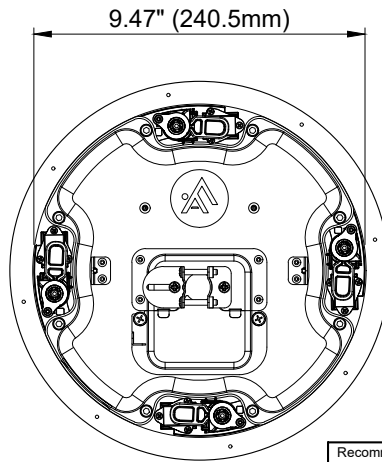
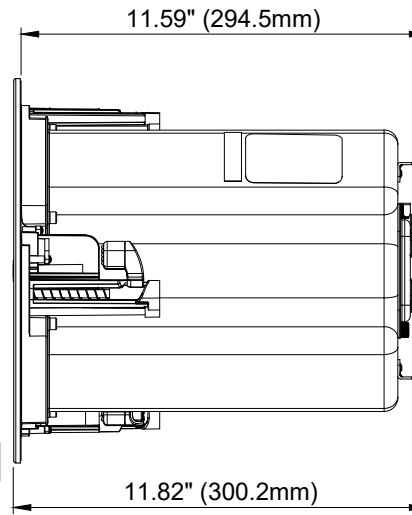


Front View

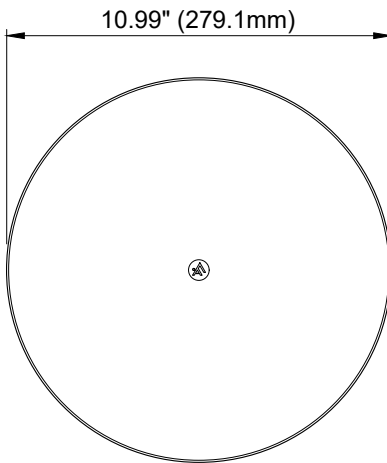


Rear View

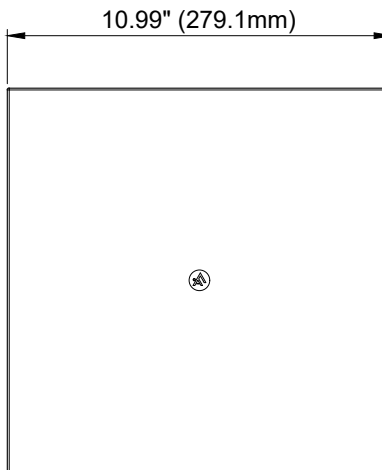
Recommended Cutout:
Ø9.76" (247.9mm)



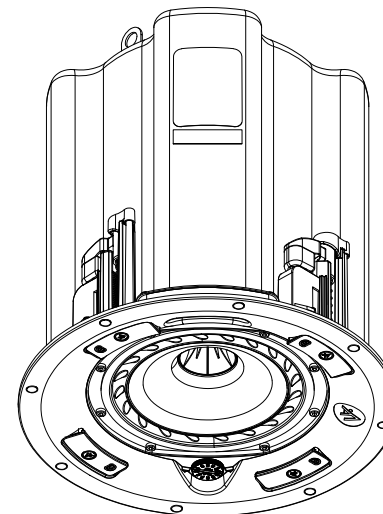
Side View



Round Grille



Square Grille



Isometric View

ATLAS+FYNE
A MITEK COMPANY
1601 Jack McKey Blvd.
Phone: (800) 876-3333
Web: www.atlasied.com
Email: support@atlasied.com

PROPRIETARY AND CONFIDENTIAL
THE INFORMATION CONTAINED IN THIS
DRAWING IS THE SOLE PROPERTY OF
MITEKCORP. ANY REPRODUCTION IN PART OR
AS A WHOLE WITHOUT THE WRITTEN
PERMISSION OF MITEKCORP IS PROHIBITED.

DATE	SCALE
April 17, 2026	N.T.S.
MODEL	REV.
FC-6T	A