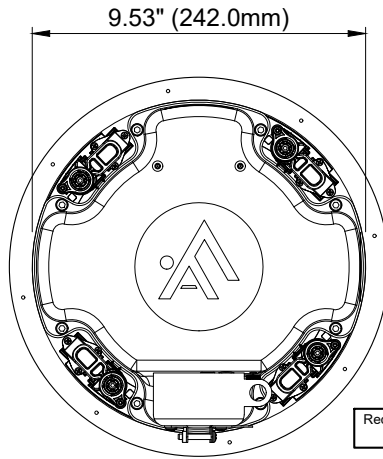
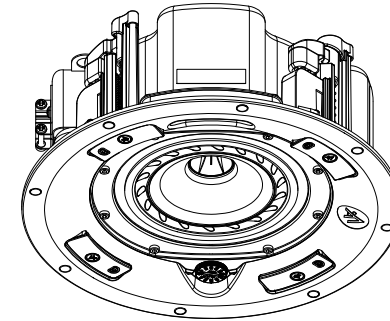


Front View

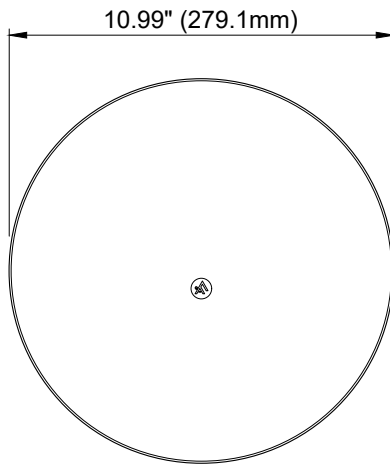


Rear View

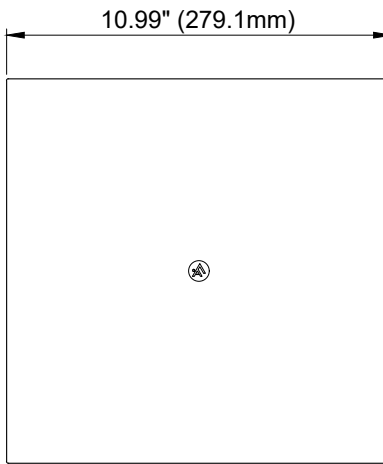
Recommended Cutout:  
9.76\"/>



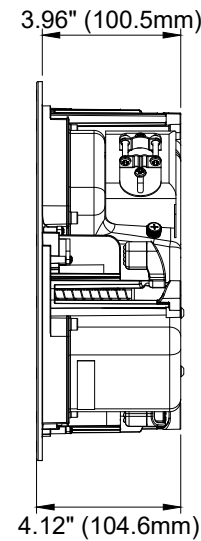
Isometric View




Round Grille



Square Grille



Side View

 <b>ATLAS+FYNE</b> A MITEK COMPANY 1601 Jack McKey Blvd. Phone: (800) 876-3333 Web: www.atlasied.com Email: support@atlasied.com	
PROPRIETARY AND CONFIDENTIAL  THE INFORMATION CONTAINED IN THIS DRAWING IS THE SOLE PROPERTY OF MITEKCORP. ANY REPRODUCTION IN PART OR AS A WHOLE WITHOUT THE WRITTEN PERMISSION OF MITEKCORP IS PROHIBITED.	
DATE	SCALE
April 2, 2026	N.T.S.
MODEL	REV.
FC-4TLP	A