



PARAMETERS

- Fs: 29.61 Hz
- Qms: 3.33
- Cms: 0.125 mm/N
- Mms: 225 g
- Rms: 12.91 kg/s
- Vas: 2.039 ft³ (58 liters)
- Xmax: 0.402 in (10.21 mm)
- D: 10.64 in (270.3 mm)
- Sd: 88.91 in² (573.6 cm²)
- Vd: 35.33 in³ (0.579 liters)
- Qes: 0.87
- Re: 3.13 Ω
- Bl: 12.35 Tm
- Prms: 300 Watts
- Qts: 0.69
- n0: 0.166%
- SPLo: 84.4 dB
- SPL 2.83V/1m: 88.48 dB
- Disp: 0.024 ft³ (0.68 liters)

DIMENSIONS

- Total Diameter: 12-5/16" (31.26 cm)
- Cutout Diameter: 11-1/8" (28.26 cm)
- Mounting Depth: 3-3/8" (8.57 cm)

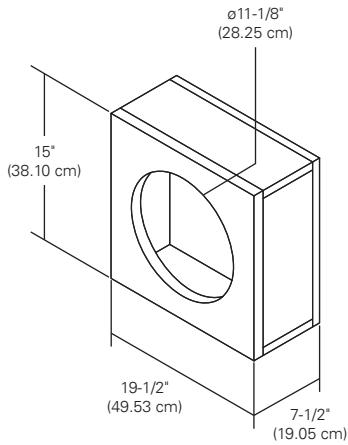
RECOMMENDED POWER RATING

150 Watts - 300 Watts RMS

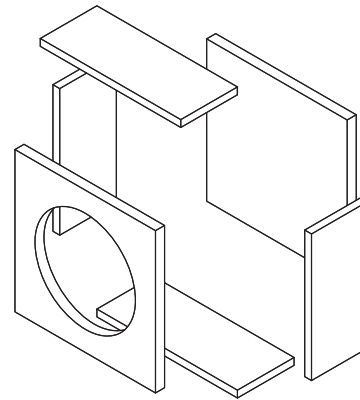
RECOMMENDED ENCLOSURES

For the best possible sound quality where space is a premium, MTX recommends using a sealed enclosure. All recommended enclosures have been designed and thoroughly tested by MTX.

SEALED ENCLOSURE



Material Thickness: 3/4" (19mm) MDF



Net Internal Volume: 0.83 ft³
Recommended Box Volume: 0.75 - 0.95 ft³