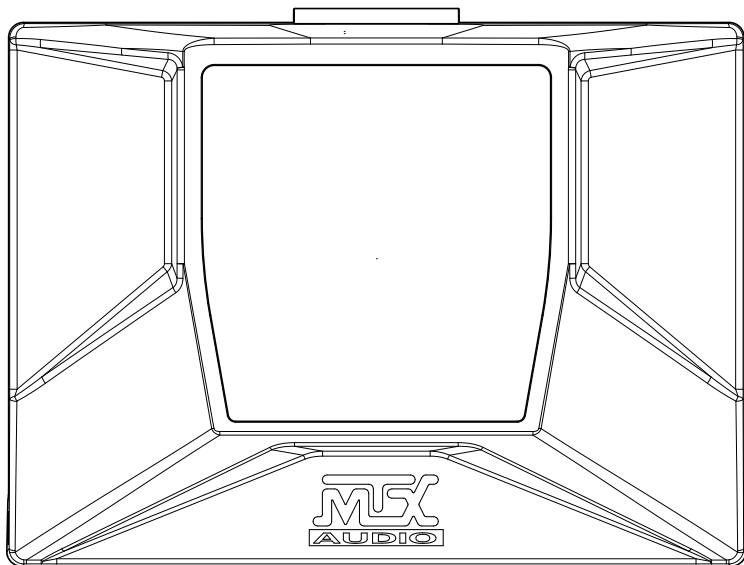




THUNDER
SPORTS™



OWNER'S MANUAL
MUDRZRDK
POLARIS® RZR® DASH KIT
[FOR USE WITH MTX WET-MC3 HEAD UNIT]

IMPORTANT NOTICE

If you have any questions regarding wire routing in a vehicle, please contact MTX Technical Support at 1-800-225-5689.

When connecting power and ground wires ensure that the red power wire is fused at the point where it is connected to the vehicle's battery. Failure to do so can result in damage to the vehicle if a short circuit develops between the vehicle connection point and the product.

PRODUCT INFORMATION

Model # _____

Serial # _____

Dealer's Name _____

Date of Purchase _____

IN THE BOX

- Dash Kit
- Allen Wrench
- (2) Shoulder Head Bolts
- (2) Speed Clips
- (4) Mounting Nuts

INSTALLATION TOOLS

The following is a list of suggested tools needed for installation:

- Torx - T40
- 5.5mm Nut Driver or Socket Wrench
- Pry Tool or Small Flat Blade

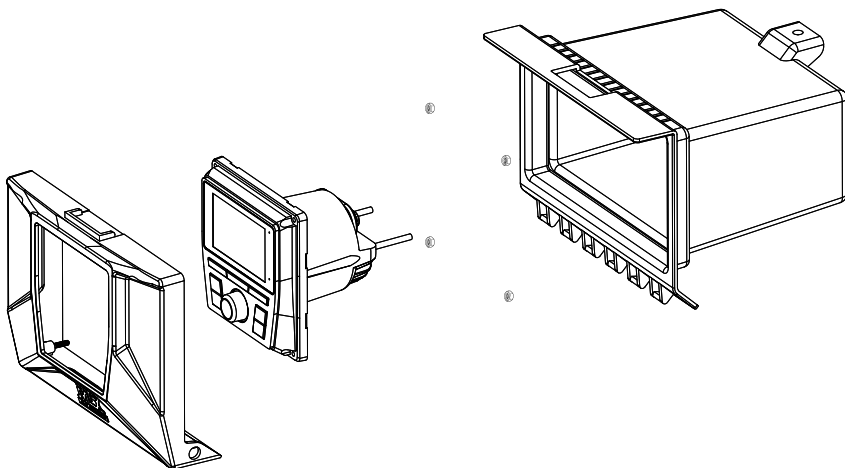
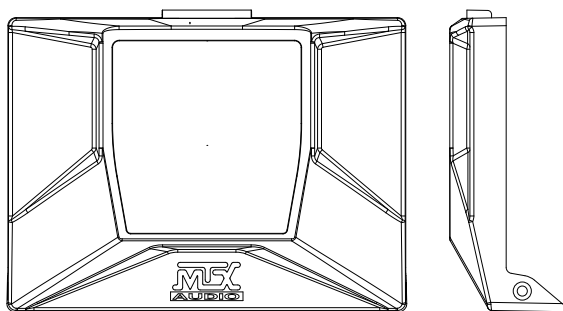
INTRODUCTION

Thank you for purchasing this Polaris® RZR® Dash Kit designed for the MTX Audio WET-MC3 Bluetooth all-weather head unit. This easy to install dash kit is the perfect OEM fit solution for your Polaris® RZR®. Congratulations and enjoy the ultimate audio experience with MTX!

FITS THE FOLLOWING VEHICLES

- RZR® XP / XP4 1000 (2014 and up)
- RZR® XP / XP4 Turbo (2016 and up)
- RZR® XP / XP4 900 (2015 and up. Must purchase storage pocket from Polaris® for a 2014 and up RZR® XP / XP4 1000 to utilize this dash kit on the 2015 and up RZR® XP / XP4 900 models.)

SPECIFICATIONS



INSTALLATION

Step 1 - Release the two quick locks to remove the hood from the vehicle.



Step 2 - Lift up the hood and slide towards the front of the vehicle.



Step 3 - Remove the two (2) T40 screws holding down the top dash cover.



Step 4 - Lift and pull back the top dash cover to release the clips holding it in place. Unplug the gauge and switches making sure not to damage the vehicle and ignition wiring. Make note to remember what connector is associated with each specific switch.



Step 5 - Remove the Torx head screw from the dash pocket brace. After this is removed the plastic dash pocket can be pulled out of the dash.



Step 6 - Remove the center pocket after it has been disconnected from the brace.



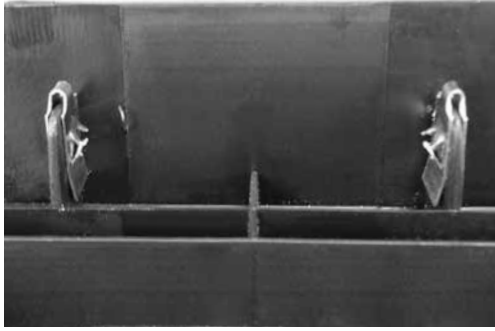
Step 7 - Turn the center pocket upside down to access the protective cover pins. Pry the two pins loose using a pry tool to remove the cover.



Step 8 - Slide the two included speed clips onto the rear of the dash piece.



Make sure the speed clips are orientated according to the picture below.



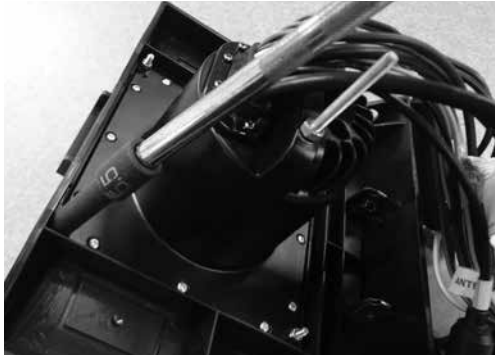
Step 9 - This dash kit also offers additional space to mount up to two rocker panel switches for accessories. On the rear of the dash kit, grooves are provided to give you proper location and size for mounting additional switches.



Step 10 - Before mounting the source unit to the dash kit, make sure that the trim bezel that is included with the source unit is NOT attached. If it is attached, it will need to be removed. It will NOT be used.



Step 11 - Attach the source unit to the rear of the dash kit using the included nuts.



Step 12 - One of the circular knockout panels on the rear of the pocket will need to be removed to provide an access hole to route wiring from the source unit to the vehicle.



Step 13 - Attach the dash kit to the center pocket by first inserting the wiring into the pocket. Connect the wiring to the source unit and feed the wiring out of the rear of the pocket hole that was cut. Place the dash kit onto the front of the pocket.



Step 14 - Insert the tab on top of the dash kit into the slot on the pocket.



Step 15 - Once the dash kit is locked in, use the two included shoulder bolts to attach the bottom of the dash kit to the pocket.



NOTE: Make sure the speed clips used in Step 8 are lined up correctly or the bolts will not be able to be tightened.

Step 16 - Slide the dash kit, source unit and wiring back into the dash.



Step 17 - Reattach the rear support bracket to the pocket. Once rear brace is secure, the dash kit is installed and the vehicle can be put back together.



NOTES:



MUD NATION[®]
LET'S DO SOMETHING DIRTY[®]

© 2016 Mitek Corporation. All rights reserved. MTX, Mud Nation, and Let's Do Something Dirty are trademarks of Mitek Corporation. All other trademarks are property of their respective owners. Designed and Engineered in the U.S.A.

Due to continual product development, all specifications are subject to change without notice.

MTX Audio, 4545 East Baseline Rd. Phoenix, AZ 85042 U.S.A. 1-800-225-5689

MTX005499 RevA 6/16 • 21A10514 • AW0015315