



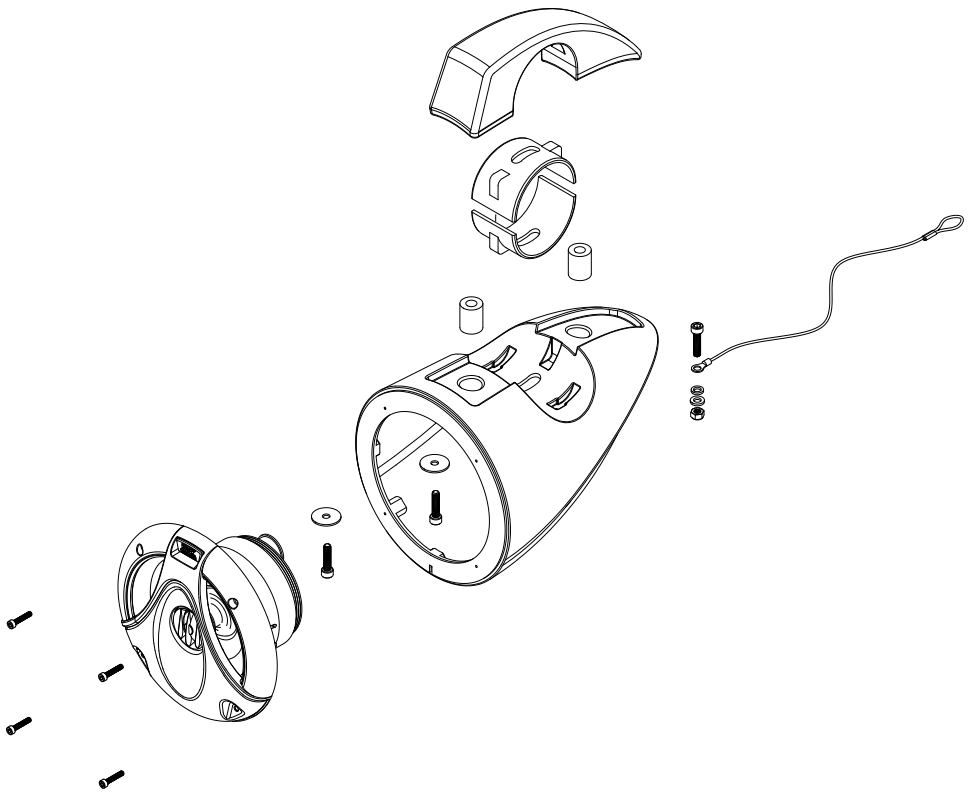
MX
AUDIO
THUNDER
MARINE™

TM652WB OWNERS MANUAL

Thank you for purchasing a MTX Marine product. MTX recommends that you have your wakeboard speakers professionally installed. Please visit MTX.com to locate the nearest authorized MTX dealer.

TOOLS REQUIRED:

- 10mm socket
- $\frac{3}{8}$ " drill bit
- $\frac{1}{4}$ " drill bit
- Cordless drill
- Speaker wire
- 3mm Allen wrench
- 5mm Allen wrench
- Wire cutter



NOTE: *Speaker does not ship assembled, please be careful not to lose any parts.*

WARNING STATEMENT:

WARNING!

Loud Music can cause permanent damage to your hearing. Please listen to your system at moderate volume levels.

Mitek does not accept any liability for bodily harm, property damage, or any consequential damages resulting from the design, manufacture, sale or use of this product.

PIPE DIAMETER INSERT GUIDE:

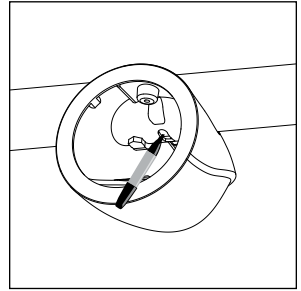
Rubber inserts are numbered 1, 2, and 3. Insert #1 is the thickest and insert #3 is the thinnest.

| Pipe Diameter (in) | Bracket Insert # | Enclosure Insert # |
|---------------------------|------------------|--------------------|
| | | |
| *2.375 (2 $\frac{3}{8}$) | 1 | 1 |
| 2.5 (2 $\frac{1}{2}$) | 1 | 1 |
| 2.625 (2 $\frac{5}{8}$) | 1 | 2 |
| 2.75 (2 $\frac{3}{4}$) | 2 | 2 |
| *2.875 (2 $\frac{7}{8}$) | 2 | 3 |
| 3 | 3 | 3 |

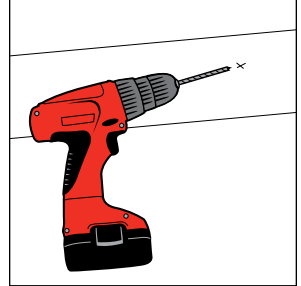
*Use double sided automotive grade tape under the rubber inserts on pipe if needed.

INSTALLATION:

Step 1 – First determine where you would like to place the speaker and at what angle the speaker will be mounted. Place enclosure on bar with desired angle and make a mark in the middle of the wire hole on the bar. This mark will be where the speaker wire will come thru the bar into the enclosure.



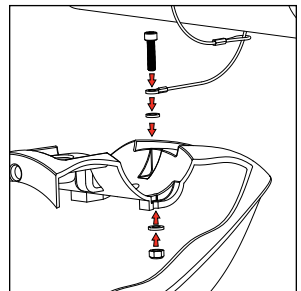
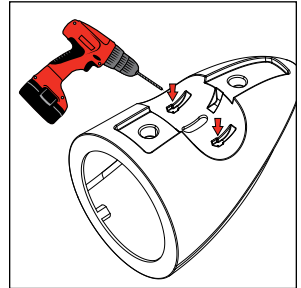
Step 2 – Drill a $\frac{3}{8}$ " hole for the speaker wire on the mark that you made. Deburr the hole to keep from damaging the speaker wire. Treat the hole with a paint or sealer to inhibit corrosion.



Step 3 – Connect the safety tether

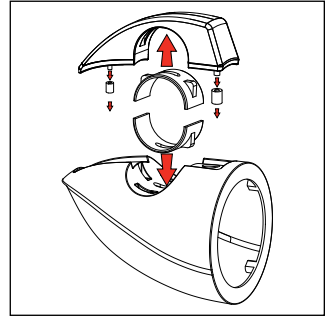
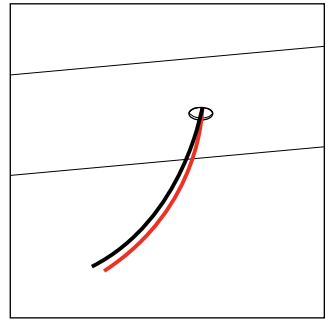
Drill out safety tether hole using a $\frac{1}{4}$ " drill bit on enclosure depending on which side you would like to mount the tether. Loop safety tether around Bar.

Next place tether bolt through tether ring and rubber washer. Then put bolt through drilled hole on enclosure and secure with metal washer and locknut. Let enclosure hang by tether until next step.



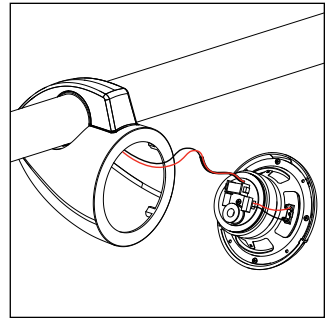
Step 4 – Run speaker wire thru the bar and leave 8" – 12" of speaker wire hanging out of the hole. Next place rubber inserts into the enclosure and bracket. Please select the correct insert size according to the insert selection guide on page 3. Place round foam gaskets on to bracket standoffs.

Place enclosure in desired location and pull wire through wire hole. Place top bracket on top of the bar above the enclosure. Start to thread the bracket screws into bracket from inside the enclosure. Tighten front and back screws evenly, make sure to tighten until bracket holds tight and the enclosure does not move.

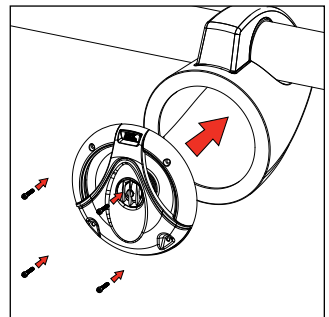


Step 5 – Connect speaker wire to the input on the speaker, making sure to keep the polarity correct.

Place woofer into the enclosure with the badge closest to the top. Make sure to tuck the wires into the enclosure so they do not get caught in the opening. Screw in the 4 speaker bolts, make sure to tighten the bolts fully.

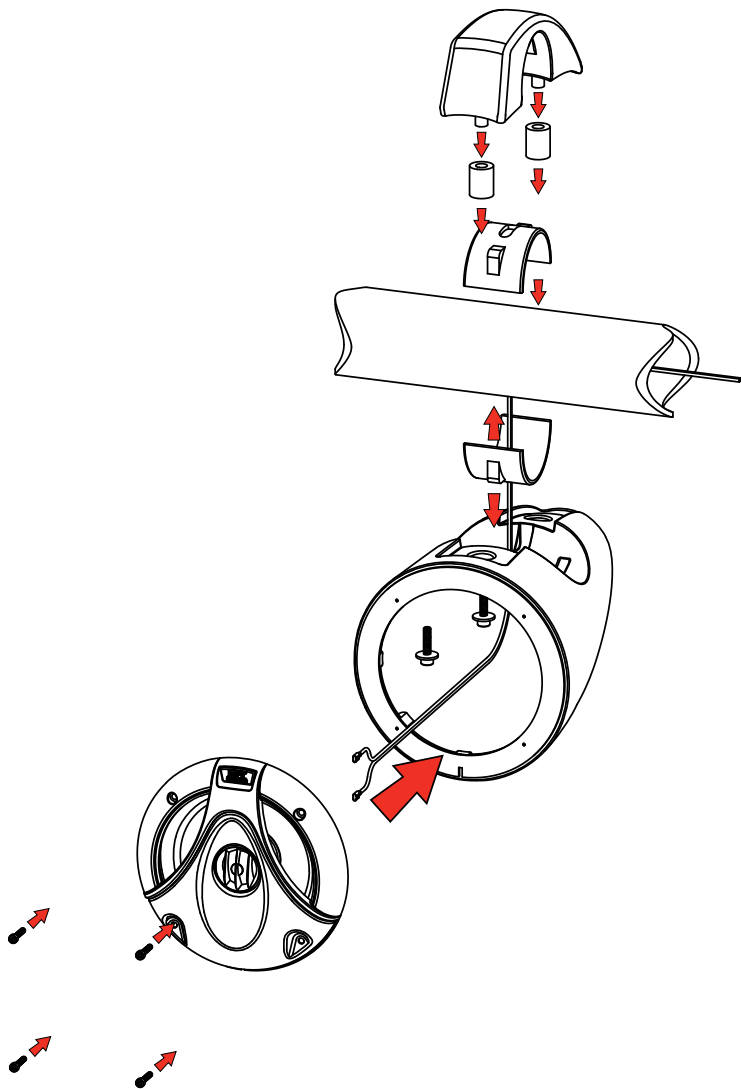


NOTE: If bolts are removed after installation, threadlock must be re-applied.



Step 6 – Connect speaker wire to amplifier, place boat in water, crank the THUNDER and enjoy.

OVERALL ASSEMBLY:





© 2010 Mitek Corporation. All rights reserved. MTX and Thunder Marine are trademarks of Mitek Corporation. Designed and Engineered in the U.S.A.

Due to continual product development, all specifications are subject to change without notice.

MTX Audio, 1 Mitek Plaza, Winslow, IL 61089 U.S.A.

MTX003848 RevA 7/10

21A9546 AW0013756