

# AS Series

UNIVERSAL SWIVEL MOUNT

## INSTALLATION GUIDE



# AS Series

UNIVERSAL SWIVEL MOUNT



## INSTALLATION GUIDE

### INSTALLATION SAFETY NOTICE

1. **Fixing Responsibility:** Users are responsible for securely fixing the hardware to the surface to ensure safe operation. The fixings utilized must be capable of supporting the weight of the product. Refer to the product specification pages for the appropriate weight limits. Additionally, consult the relevant construction codes in your region for guidance on suitable hardware fixing methods.
2. **Secondary Security Measures:** Certain regional construction codes may mandate the utilization of a secondary method for securing loudspeakers to surfaces to ensure a backup support system. It is recommended to attach a secondary support line from the product to a secure point on the wall. Refer to the relevant construction codes in your region for specific requirements.
3. **Accountability:** AtlasIED will not be held liable for any damages resulting from incorrect installation procedures.

Please adhere to these safety guidelines to ensure the safe and proper installation of your product. If you have any questions or concerns, feel free to contact us for assistance.

### SUMMARY OF STEPS

1. Separate swivel bracket from mounting plate
2. Remove the loudspeaker connector cover and rubber grommet
3. Attach mounting plate to wall and run wires through
4. Drill loudspeaker wire holes through rubber grommet (optional)
5. Pull wires through the mounting plate assembly
6. Pull the wires through weatherproof grommet assembly (optional)
7. Connect the loudspeaker wire to Euroblock connector
8. Set transformer wattage tap
9. Attach the adjustable swivel bracket to loudspeaker
10. Attach the loudspeaker to the wall mounting bracket
11. Connect loudspeaker wire to loudspeaker and attach weatherproof grommet assembly
12. Adjust the angle of the loudspeaker
13. Ensure "service loop" in place to prevent water damage (optional)
14. Rotate logo badge for horizontal installations
15. Drive locking screw through the swivel bracket and into wall bracket

# AS Series

UNIVERSAL SWIVEL MOUNT



## INSTALLATION GUIDE

### TOOLS REQUIRED / PACKAGE CONTENTS

AS Series Surface Mount Loudspeakers: Included Contents / Required Tools	
INCLUDED PART	QTY PER LOUDSPEAKER
Grommet assembly front cover / plate	1
Grommet assembly back cover	1
Grommet plate screws (loudspeaker side)	4
Swivel link / bracket screws	4
Rubber grommet	1
Wall plate / bracket	1
Swivel link / bracket	1
4-pin Euroblock connector	1
Locking screw	1

### REQUIRED TOOLS

1. Electric Drill
2. Slotted screwdriver: 3.5mm
3. Drill bit: #1 = 0.2280" = 5.7912mm; use #1 bit or smaller depending on the size of wire used
4. Phillips screwdriver
5. Wire strippers

# AS Series

UNIVERSAL SWIVEL MOUNT



## INSTALLATION GUIDE

### STEP 1 - SEPARATE SWIVEL BRACKET FROM MOUNTING PLATE

Firmly press the release button at the bottom of the mounting plate then pull away the swivel bracket (Figure 1).

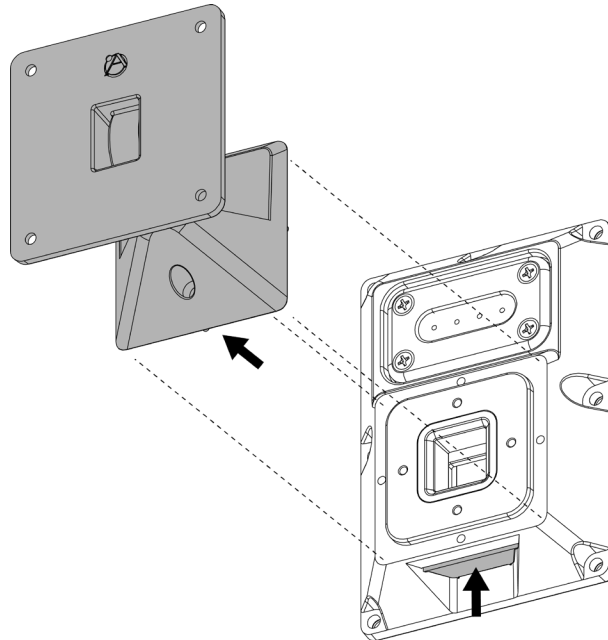


Figure 1

# AS Series

UNIVERSAL SWIVEL MOUNT



## INSTALLATION GUIDE

### STEP 2 - REMOVE THE LOUDSPEAKER CONNECTOR COVER AND RUBBER GROMMET

Using a Phillips screwdriver, remove the four (4) screws covering the grommet plate to remove both the grommet plate and rubber grommet (Figure 2).

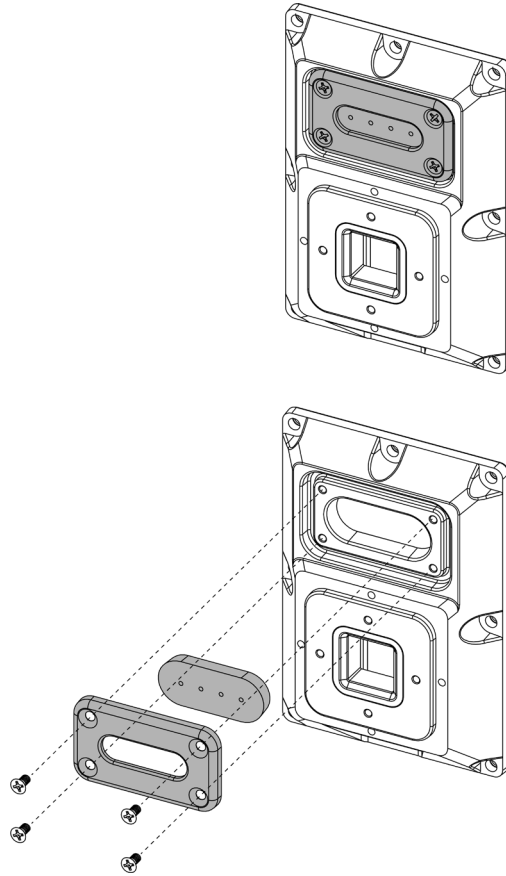


Figure 2

# AS Series

UNIVERSAL SWIVEL MOUNT



## INSTALLATION GUIDE

### STEP 3 - ATTACH MOUNTING PLATE TO WALL AND RUN WIRES THROUGH

Mount the bracket to the wall using fasteners appropriate for the wall material and loudspeaker weight (Figure 3). Ensure proper fasteners are used.

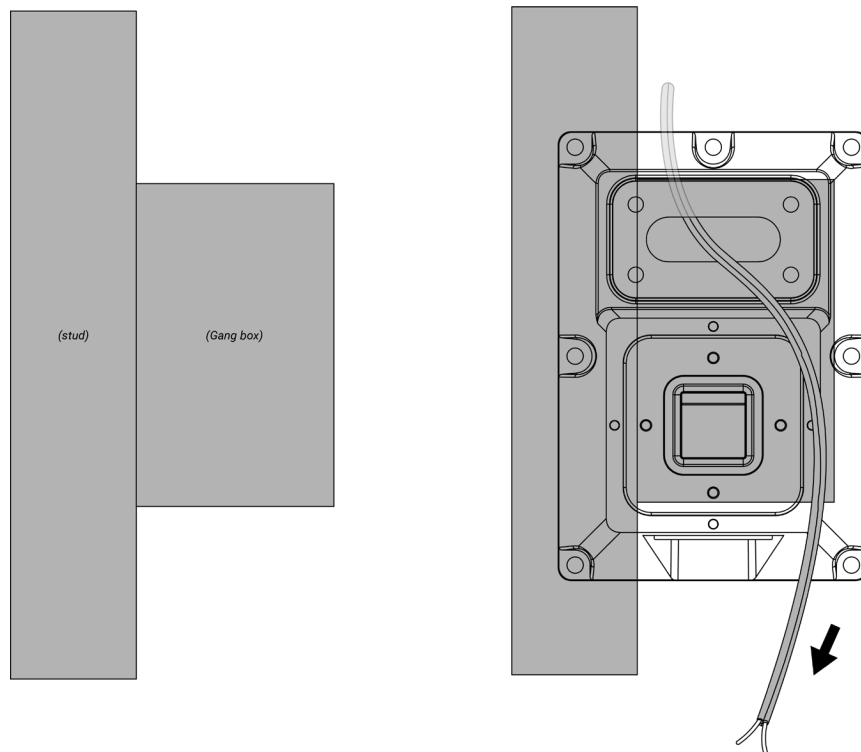


Figure 3

# AS Series

UNIVERSAL SWIVEL MOUNT



## INSTALLATION GUIDE

### STEP 4 - DRILL LOUDSPEAKER WIRE HOLES THROUGH RUBBER GROMMET (OPTIONAL)

Required for weatherproofing in outdoor installations:

On the grommet, determine which pilot hole locations will be used to feed wire through. Stack the grommet assembly on an elevated flat surface (Figure 4) and drill through the selected hole(s) with an electric drill and standard #1 drill bit (Figure 5).

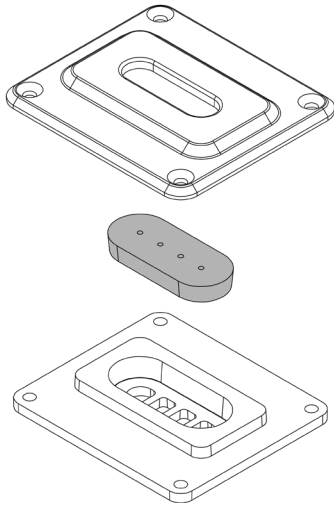


Figure 4

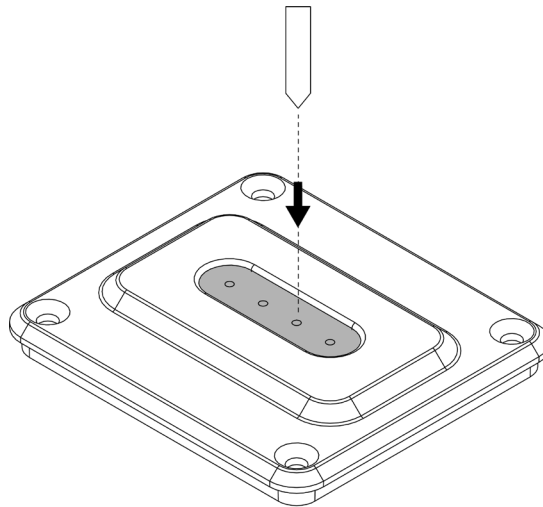


Figure 5

# AS Series

UNIVERSAL SWIVEL MOUNT



## INSTALLATION GUIDE

### STEP 5 - PULL WIRES THROUGH THE MOUNTING PLATE ASSEMBLY

Pull loudspeaker wires from inside the wall through the hole in both the wall mounting plate and grommet plate (Figure 6). Secure grommet plate to mounting plate using the four (4) screws removed in step 2. Optionally, feed the wire through the rubber grommet, fit in between the mounting plate and grommet plate (Figure 7). If the wire cannot be pushed through the grommet, repeat Step 6 with a larger diameter drill bit. This may require stepping up the drill bit diameter until the wire can be pushed through the drilled hole.

**Note:** Wires need to be unterminated before inserting through weatherproof grommet.

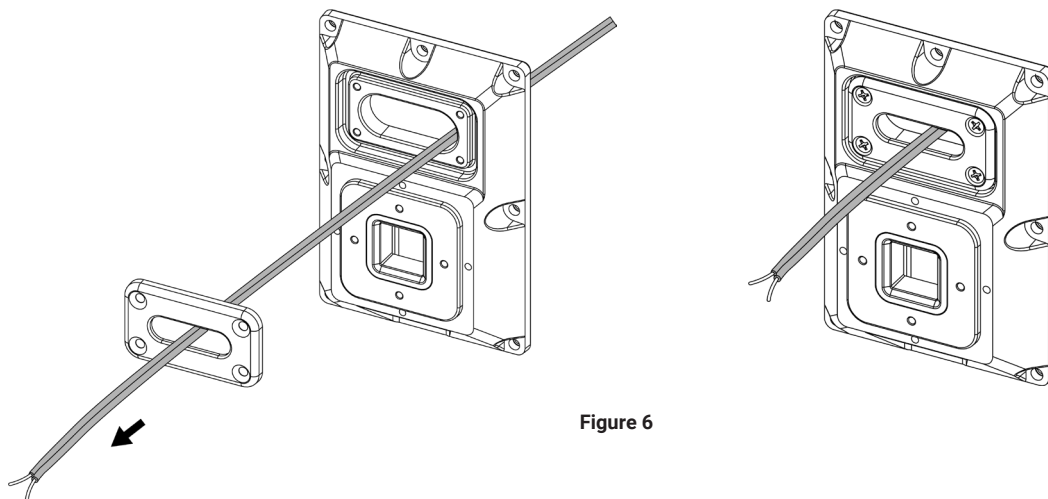


Figure 6

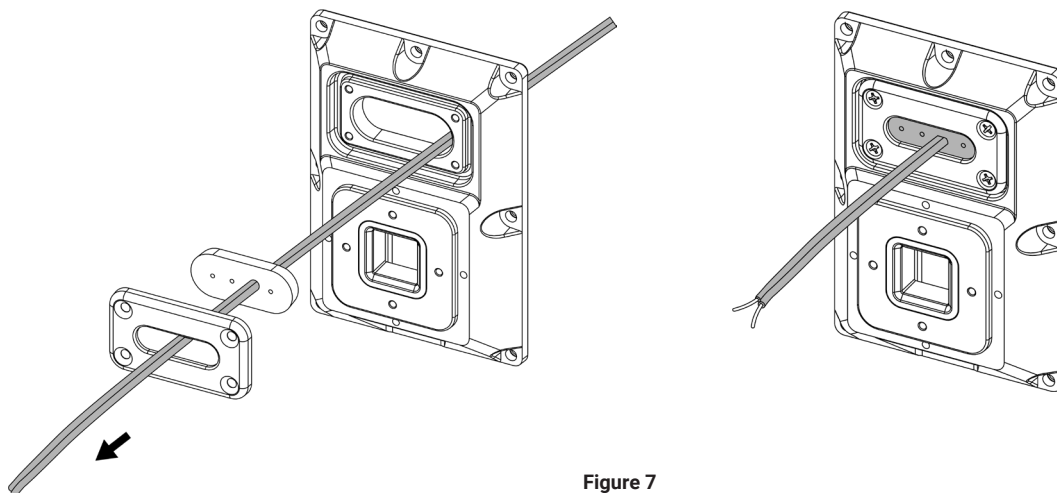


Figure 7



# AS Series

UNIVERSAL SWIVEL MOUNT



## INSTALLATION GUIDE

### STEP 6 - PULL THE WIRES THROUGH WEATHERPROOF LOUDSPEAKER GROMMET ASSEMBLY (OPTIONAL)

Required for weatherproofing in outdoor installations:

Pull the loudspeaker wires through the weatherproof loudspeaker grommet assembly. First through the cover, then the grommet, and finally the back plate. Make sure you run the loudspeaker wires unterminated as the Euroblock connector cannot pass through the through the grommet assembly and loudspeaker back plate (Figure 8).

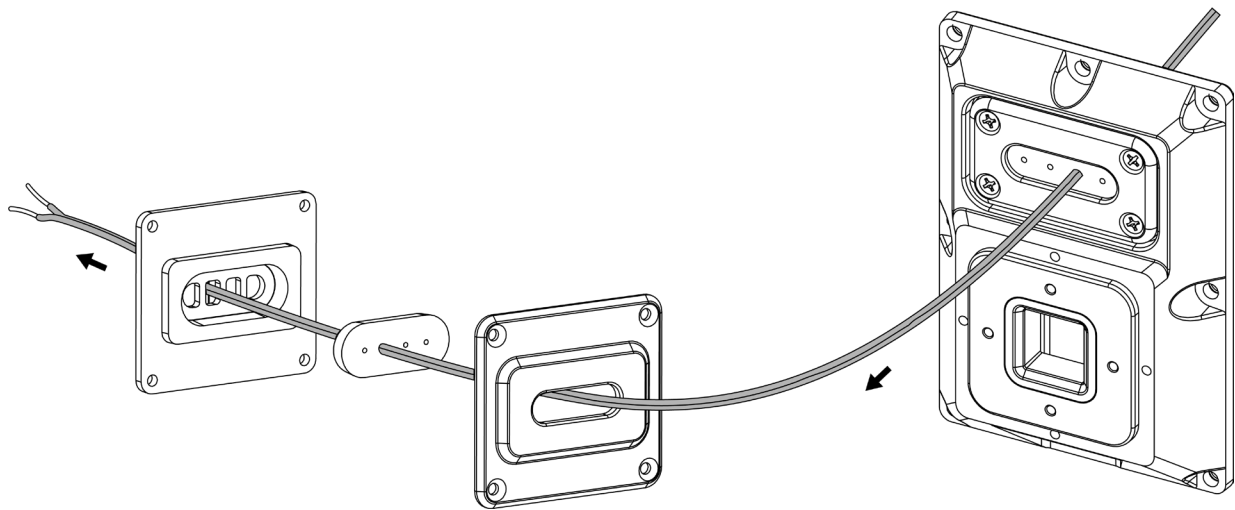


Figure 8

# AS Series

UNIVERSAL SWIVEL MOUNT



## INSTALLATION GUIDE

### STEP 7 - CONNECT THE LOUDSPEAKER WIRE TO EUROBLOCK CONNECTOR

Strip off an appropriate amount of insulation from each wire and insert the wire into the correct pin opening on the Euroblock connector. Use a small flat head screwdriver to tighten the corresponding screw to secure the wire (Figure 9).

Connect the Input pins to the amplifier upstream. Connect the Output pins to any additional 70.7/100V loudspeakers downstream (Figure 10).

Note: If connecting to additional 4/8Ω loudspeakers ensure the amplifier can support the low impedance load.

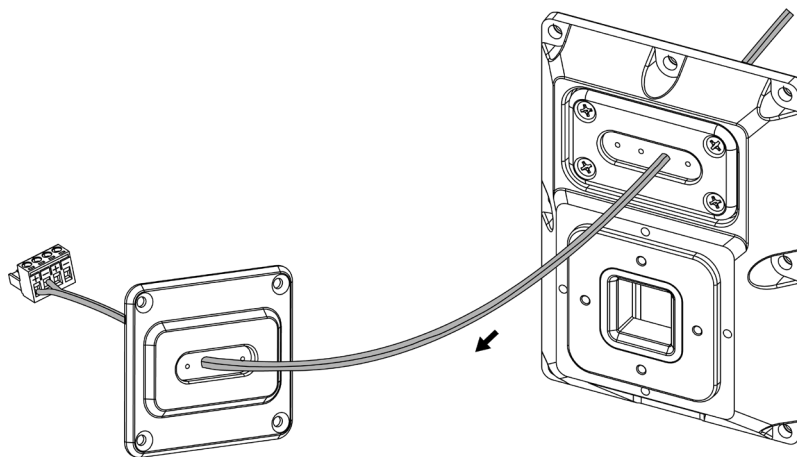


Figure 9

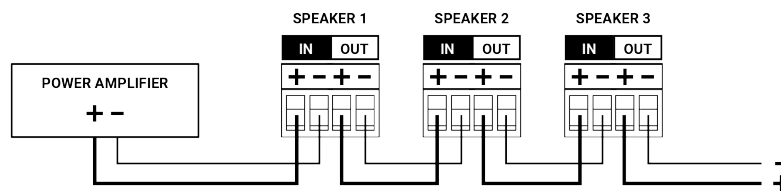


Figure 10

# AS Series

UNIVERSAL SWIVEL MOUNT



## INSTALLATION GUIDE

### STEP 8 - SET TRANSFORMER WATTAGE TAP

Determine the proper wattage setting and slide the transformer tap switch to the desired value (Figure 11).

**Note:** 70.7V tap settings shown on top in black, and the 100V settings shown on bottom in white. The 8Ω bypass setting is the left-most setting.

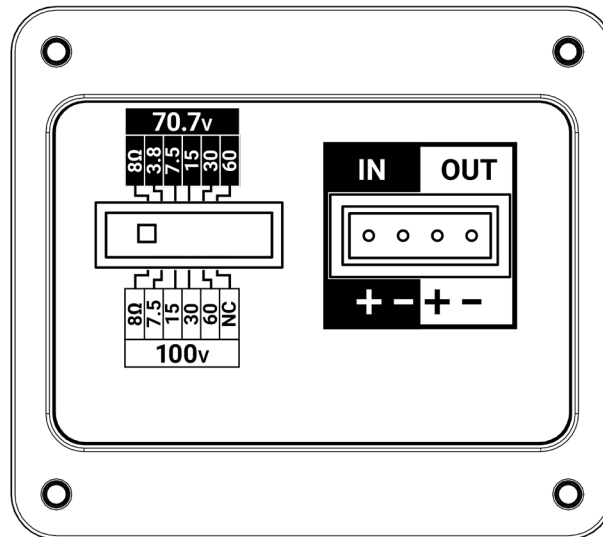


Figure 11

# AS Series

UNIVERSAL SWIVEL MOUNT



## INSTALLATION GUIDE

### STEP 9 -ATTACH THE ADJUSTABLE SWIVEL BRACKET TO LOUDSPEAKER

Place the flat end of the swivel bracket onto the matching VESA connector on the back of the loudspeaker. Use the UP arrow printed on the swivel bracket to properly align the bracket and connector. Use the four (4) included screws to secure the plate to the loudspeaker (Figure 12).

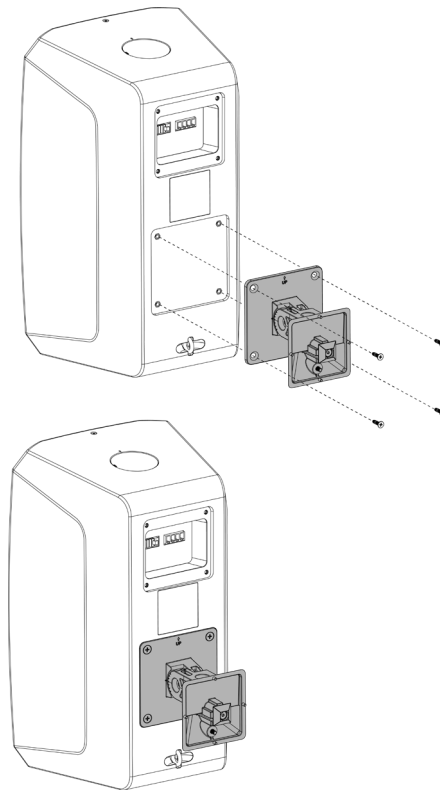


Figure 12

# AS Series

UNIVERSAL SWIVEL MOUNT



## INSTALLATION GUIDE

### STEP 10 - ATTACH THE LOUDSPEAKER TO THE WALL MOUNTING BRACKET

Carefully align swivel bracket to the mounting plate and press firmly until you hear an audible click (Figure 13).

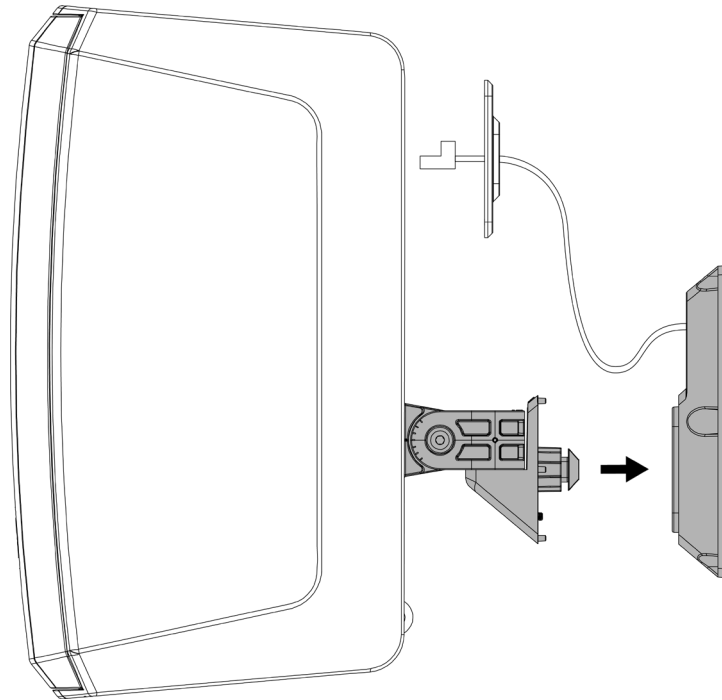


Figure 13

# AS Series

UNIVERSAL SWIVEL MOUNT



## INSTALLATION GUIDE

### STEP 11 - CONNECT LOUDSPEAKER WIRE TO LOUDSPEAKER AND (OPTIONALLY) ATTACH WEATHER PROOF GROMMET ASSEMBLY (OPTIONAL)

Connect the Euroblock connector to the mating input connector on the loudspeaker (Figure 14)

Required for weatherproofing in outdoor installations:

Slide the grommet assembly along the loudspeaker wire until placed over the cover opening.

Place the grommet plate over the connector opening, then place the back plate over the grommet plate. Use the four (4) included screws and a Phillips screwdriver to affix the back plate to the loudspeaker.

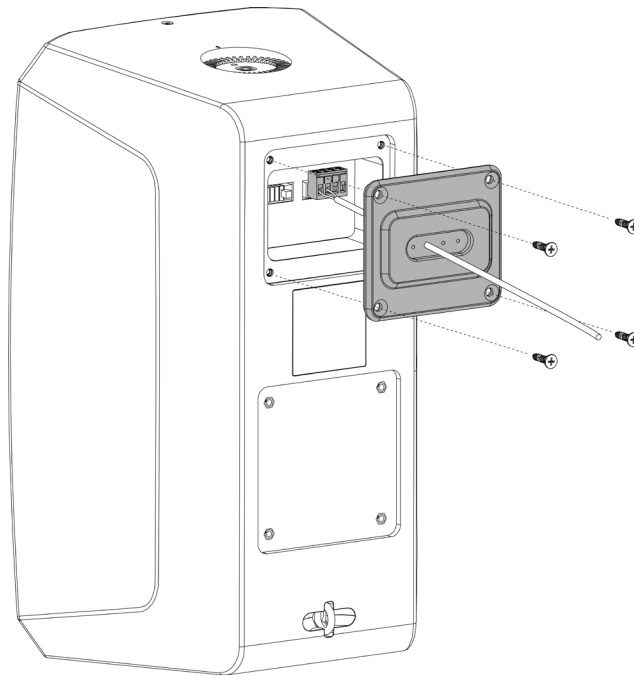


Figure 14

# AS Series

UNIVERSAL SWIVEL MOUNT



## INSTALLATION GUIDE

### STEP 12 - ADJUST THE ANGLE OF THE LOUDSPEAKER

Tilt the loudspeaker to different angles by using the angle adjustment notches provided on both parts of the swivel bracket (up / down; left / right). Partially loosen, but do not fully remove the screws shown in the figures below using a 5/32" Allen wrench. When adjusted to the desired angle, fully tighten the screws. Use the angle guide provided on the loudspeaker bracket (Figure 15).

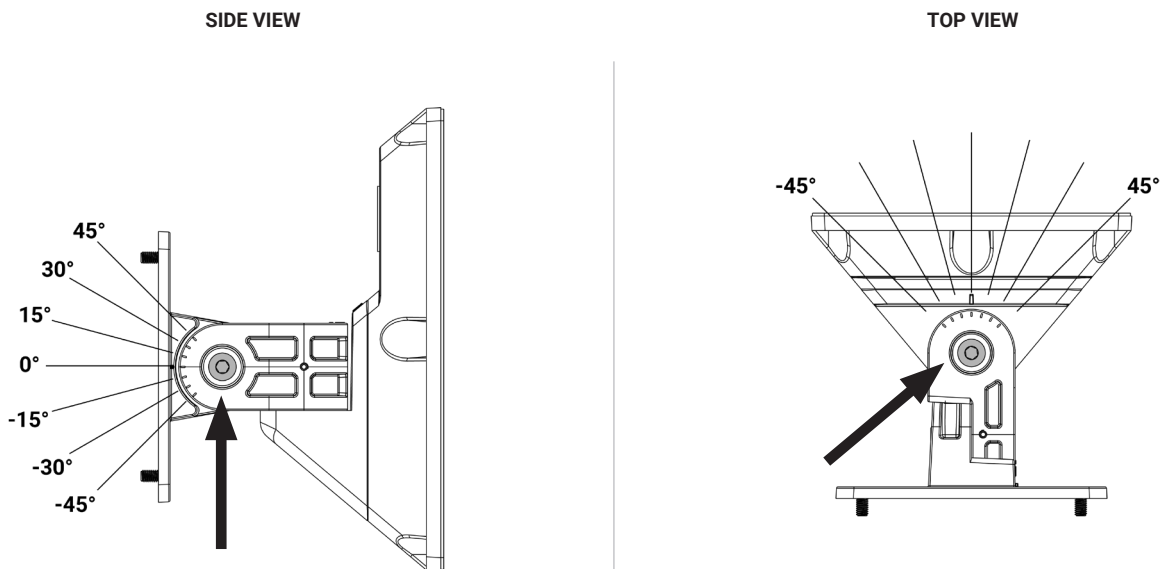


Figure 15

# AS Series

UNIVERSAL SWIVEL MOUNT



## INSTALLATION GUIDE

### STEP 13 - ENSURE “SERVICE LOOP” IN PLACE TO PREVENT WATER DAMAGE (OPTIONAL)

Required for weatherproofing in outdoor installations:

Ensure that one point of the loudspeaker wire (“service / drip loop”) is below the point where the wire is fed through the mounting plate. This prevents water from being directed towards the loudspeaker (Figure 16).

**Note:** Connect the safety tether from the safety ring at the bottom of the loudspeaker to a structurally adequate location on the mounting surface to hold the weight of the loudspeaker if the loudspeaker should fall.

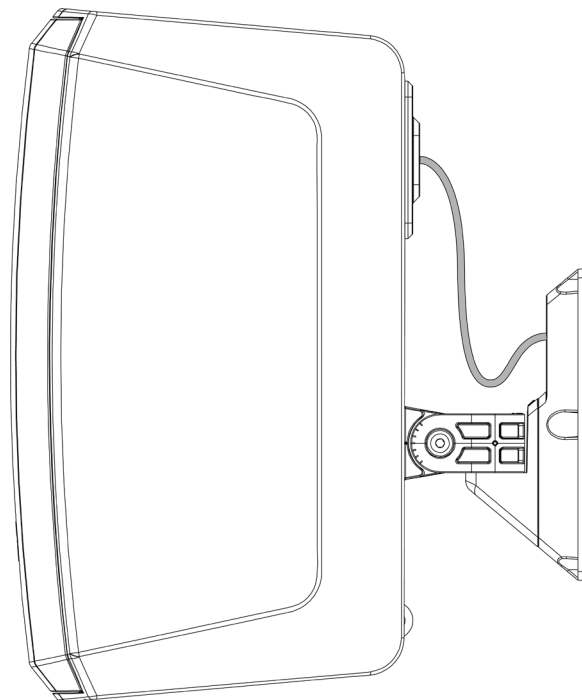


Figure 16



# AS Series

UNIVERSAL SWIVEL MOUNT



## INSTALLATION GUIDE

### STEP 14 - ROTATE LOGO BADGE FOR HORIZONTAL INSTALLATIONS

If the loudspeaker is installed in the horizontal orientation, the logo should be rotated 90 degrees (Figure 17).

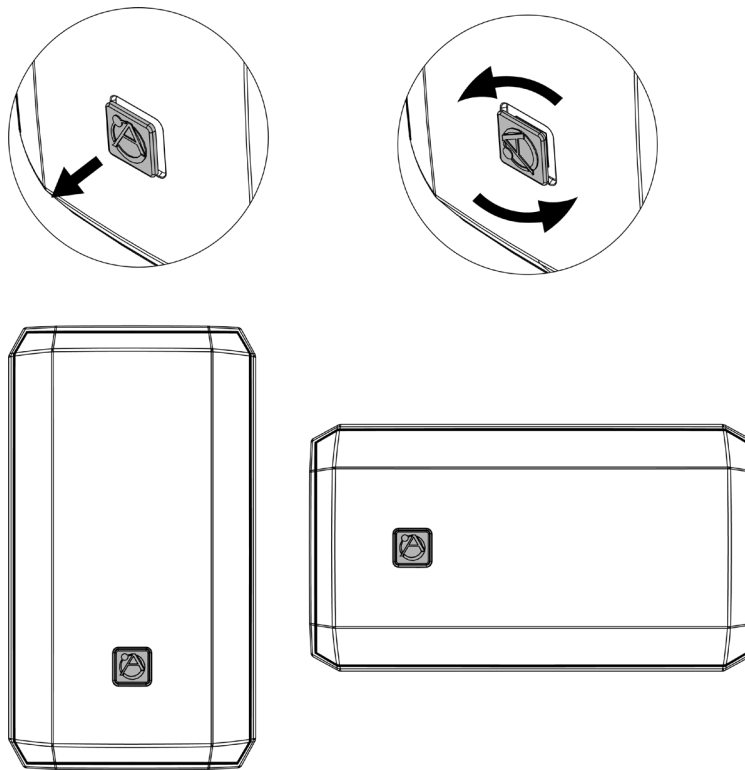


Figure 17

# AS Series

UNIVERSAL SWIVEL MOUNT



## INSTALLATION GUIDE

### STEP 15 - DRIVE LOCKING SCREW THROUGH THE SWIVEL BRACKET AND INTO WALL BRACKET

Drive the locking screw through the swivel bracket and wall bracket using a 90-degree Allen wrench, then tighten (Figure 18).

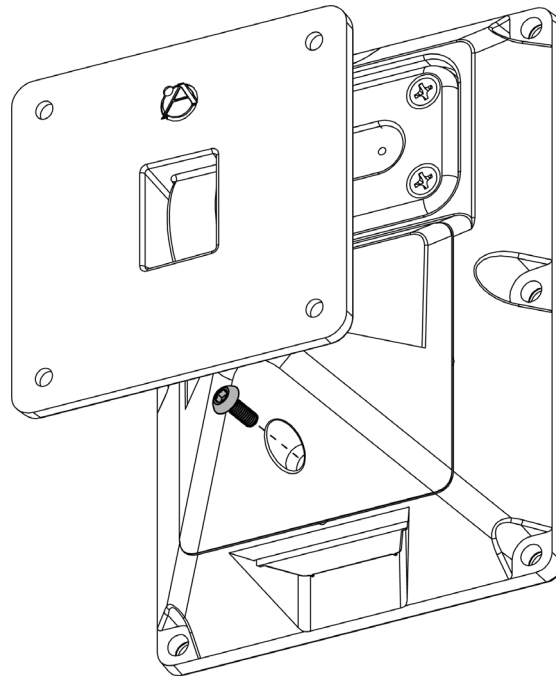


Figure 18

# AS Series

UNIVERSAL SWIVEL MOUNT



## INSTALLATION GUIDE

### LIMITED WARRANTY

All products manufactured by AtlasIED are warranted to the original dealer/installer, industrial or commercial purchaser to be free from defects in material and workmanship and to be in compliance with our published specifications, if any. This warranty shall extend from the date of purchase for a period of three years on all AtlasIED products, including SOUNDOLIER brand, and ATLAS SOUND brand products except as follows: one year on electronics and control systems; one year on replacement parts; and one year on Musician Series stands and related accessories. Additionally, fuses and lamps carry no warranty. AtlasIED will solely at its discretion, replace at no charge or repair free of charge defective parts or products when the product has been applied and used in accordance with our published operation and installation instructions. We will not be responsible for defects caused by improper storage, misuse (including failure to provide reasonable and necessary maintenance), accident, abnormal atmospheres, water immersion, lightning discharge, or malfunctions when products have been modified or operated in excess of rated power, altered, serviced or installed in other than a workman like manner. The original sales invoice should be retained as evidence of purchase under the terms of this warranty. All warranty returns must comply with our returns policy set forth below. When products returned to AtlasIED do not qualify for repair or replacement under our warranty, repairs may be performed at prevailing costs for material and labor unless there is included with the returned product(s) a written request for an estimate of repair costs before any nonwarranty work is performed. In the event of replacement or upon completion of repairs, return shipment will be made with the transportation charges collect.

EXCEPT TO THE EXTENT THAT APPLICABLE LAW PREVENTS THE LIMITATION OF CONSEQUENTIAL DAMAGES FOR PERSONAL INJURY, ATLASIED SHALL NOT BE LIABLE IN TORT OR CONTRACT FOR ANY DIRECT, CONSEQUENTIAL OR INCIDENTAL LOSS OR DAMAGE ARISING OUT OF THE INSTALLATION, USE OR INABILITY TO USE THE PRODUCTS. THE ABOVE WARRANTY IS IN LIEU OF ALL OTHER WARRANTIES INCLUDING BUT NOT LIMITED TO WARRANTIES OF MERCHANTABILITY AND FITNESS FOR A PARTICULAR PURPOSE.

AtlasIED does not assume, or does it authorize any other person to assume or extend on its behalf, any other warranty, obligation, or liability. This warranty gives you specific legal rights and you may have other rights which vary from state to state.

### SERVICE

Should your Atlas AS Series Universal Swivel Mount require service, please contact the AtlasIED warranty department at 1-877-689-8055, ext. 277 to obtain an RA number.

AtlasIED Tech Support can be reached at 1-800-876-3333 or [support.atlasied.com](mailto:support.atlasied.com).

Visit our website at [www.AtlasIED.com](http://www.AtlasIED.com) to see other AtlasIED products.