

571D / 571C

GLOBALCOM® Communication Station – 571D Dante® / 571C CobraNet®



Features

- Touchscreen
- Dante® (571D) or CobraNet® (571C) Digital Audio
- GCK Integration
- Horizontal or Vertical Configuration
- Redundant PoE
- Handheld Microphone
- Microphone Element Supervision
- 1x1 Line Level Analog I/O
- Multiple Mounting Configurations (with 571MK-DT/571MK-F/571MK-S)

Applications

- Airports
- Industrial
- Mass Transit
- Corporate
- Educational

General Description

The 571 (571D/571C) digital communication station is a programmable touchscreen device for initiating audio paging and messages with GLOBALCOM® Series Announcement Control Systems.

The 571 is designed to be used with one of three mounting kits, the 571MK-DT for use on a desktop, the 571MK-S for surface mounting, and the 571MK-F for flush mounting. The 571MK-MRH and 571MK-HRV mud ring brackets are to be used with the 571MK-F for pre-construction installations.

The 571 comes with a handheld microphone with magnet. A removable steel plate is included which hides the built-in microphone strain relief. An additional security screw is included as an option to further restrict access to the removable steel plate and the microphone connector. The 571 provides a redundant PoE connection that can be supplemented with an optional 24/48V DC auxiliary power connection for non-PoE switches. The included microphone includes an omnidirectional element eliminating the proximity effect which creates a boomy sound when a user speaks close. Combined with an internal beeper, the touchscreen guides the user through the process of making a page.

Template screens for the 571 can be easily created with GCK for paging or triggering prerecorded messages. Other events can be triggered such as audio routing, visual alerts, as well as intercom requests. Access to the 571 can be restricted using a 4-digit PIN. Based upon PIN, different templates can be shown.

The 571 is also designed for use with AtlasIED's FAS (Flight Announcement System) GCK plugin. Using GCK with the FAS plugin, the 571 can load FAS template screens for boarding flights, checking flight status, updating flight status, and other general flight messages. Access to flight templates can be restricted by a combination of gate, airline, and/or PIN login.

Electrical	
Power	IEEE 802.3af PoE
Auxiliary Power	24/48V DC (non-polarized)
Power Consumption	10W Max
Indicator	Blue Indicator on Front
Audio	
Line Input	22 Hz - 22 kHz, Input Level = 0 dBu Frequency Response: ± 0.5 dB Total Harmonic Distortion, THD:: <0.2% Signal-to-Noise Ratio, S/N : >85 dB Maximum Input Level +4dBu
Line Output	22 Hz - 22 kHz, Input Level = 0 dBu Frequency Response: ± 0.5 dB Total Harmonic Distortion, THD:: <1.5% Signal-to-Noise Ratio, S/N : >85 dB Maximum Output Level: +4dBu
Microphone Input	22 Hz - 22 kHz, Input Level = 0 dBu Frequency Response: ± 0.5 dB Total Harmonic Distortion, THD:: <0.03% Signal-to-Noise Ratio, S/N : >85 dB
Connectors	
Auxiliary Power	2 Pin 3.81mm Pitch Euroblock with screw flange
Line Input	3 Pin 3.81mm Pitch Euroblock
Line Output	3 Pin 3.81mm Pitch Euroblock
Network	Redundant RJ-45 with Yellow Connection and Green Data LED
Screen	
Size	7"
Resolution	800x480 / 480x800
Touch Type	Capacitive
Single or Multi-Touch	Single Touch

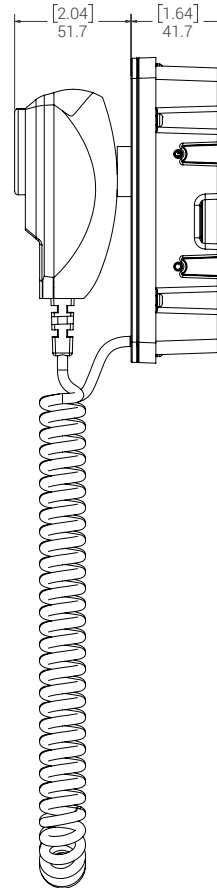
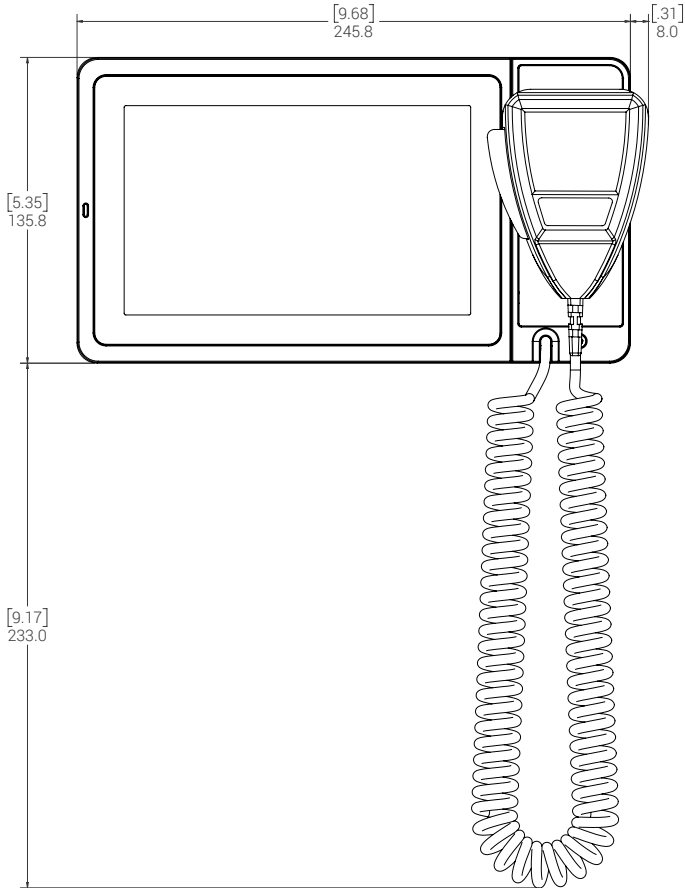
©2021 Atlas Sound L.P. The Atlas "Circle-A", Soundolier, and Atlas Sound are trademarks of Atlas Sound L.P. IED is a Registered Trademark of Innovative Electronic Designs LLC. All rights reserved.
 All other Trademarks are property of their respective owners. No endorsement is implied. Due to continual product development, specifications are subject to change without notice. ATSO06816 RevB 12/21

Compressor	
Compression Threshold	-15 dBu
Ratio	10:1
Attack Time	22 milliseconds
Release Time	1 seconds
Maximum Output (Line Output)	+4 dBu
Analog-to-Digital Converter, A/D	24-bit
Internal Processing	32-bit, Floating Point
Sample Rate	48 kHz
Network Latency (CobraNet)	2 milliseconds
Dimensions and Weight	
Overall Dimensions (HxWxD – Horizontal)	5.35" (135.8mm) x 9.68" (245.8mm) x 1.64" (41.7mm)
Core Unit	1.94 lbs/.88 kg. unit weight – 2.65 lbs/1.20 kg shipping weight
Surface Mount Kit	.72 lbs/.33 kg. unit weight – 1.39 lbs/.63 kg shipping weight
Flush Mount Kit	1.01 lbs/.46 kg. unit weight – 1.90 lbs/.86 kg shipping weight
Desktop Mount Kit	3.31 lbs/1.50 kg. unit weight – 4.19 lbs/1.90 kg shipping weight
Environmental	
Operating Temperature Range	32°F – +104°F (0°C – +40°C)
Storage Temperature Range	-40°F to +158°F (-40°C to +70°C)

©2021 Atlas Sound L.P. The Atlas "Circle-A", Soundolier, and Atlas Sound are trademarks of Atlas Sound L.P. IED is a Registered Trademark of Innovative Electronic Designs LLC. All rights reserved. All other Trademarks are property of their respective owners. No endorsement is implied. Due to continual product development, specifications are subject to change without notice. ATSO06816 RevB 12/21

Dimensional Drawings

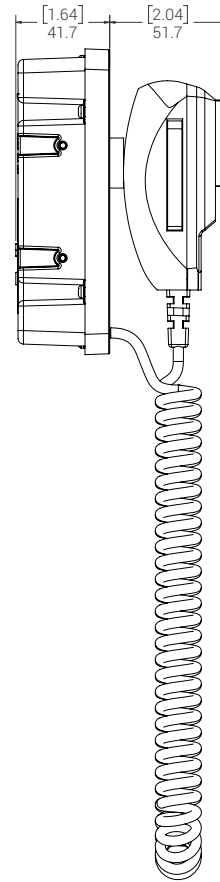
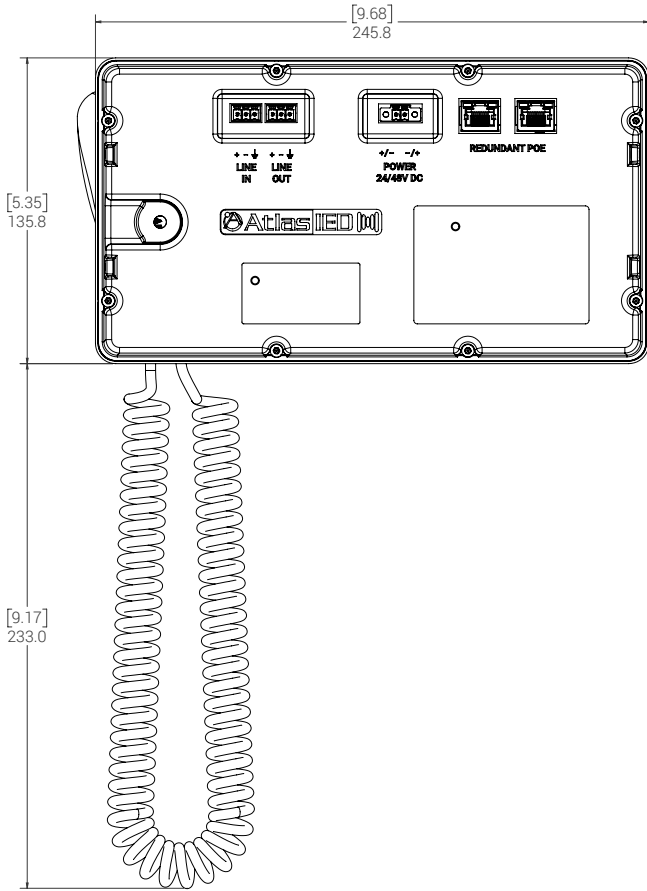
Horizontal Core Unit w/ Microphone - Front/Left View



©2021 Atlas Sound L.P. The Atlas "Circle-A", Soundolier, and Atlas Sound are trademarks of Atlas Sound L.P. IED is a Registered Trademark of Innovative Electronic Designs LLC. All rights reserved. All other Trademarks are property of their respective owners. No endorsement is implied. Due to continual product development, specifications are subject to change without notice. ATSO06816 RevB 12/21

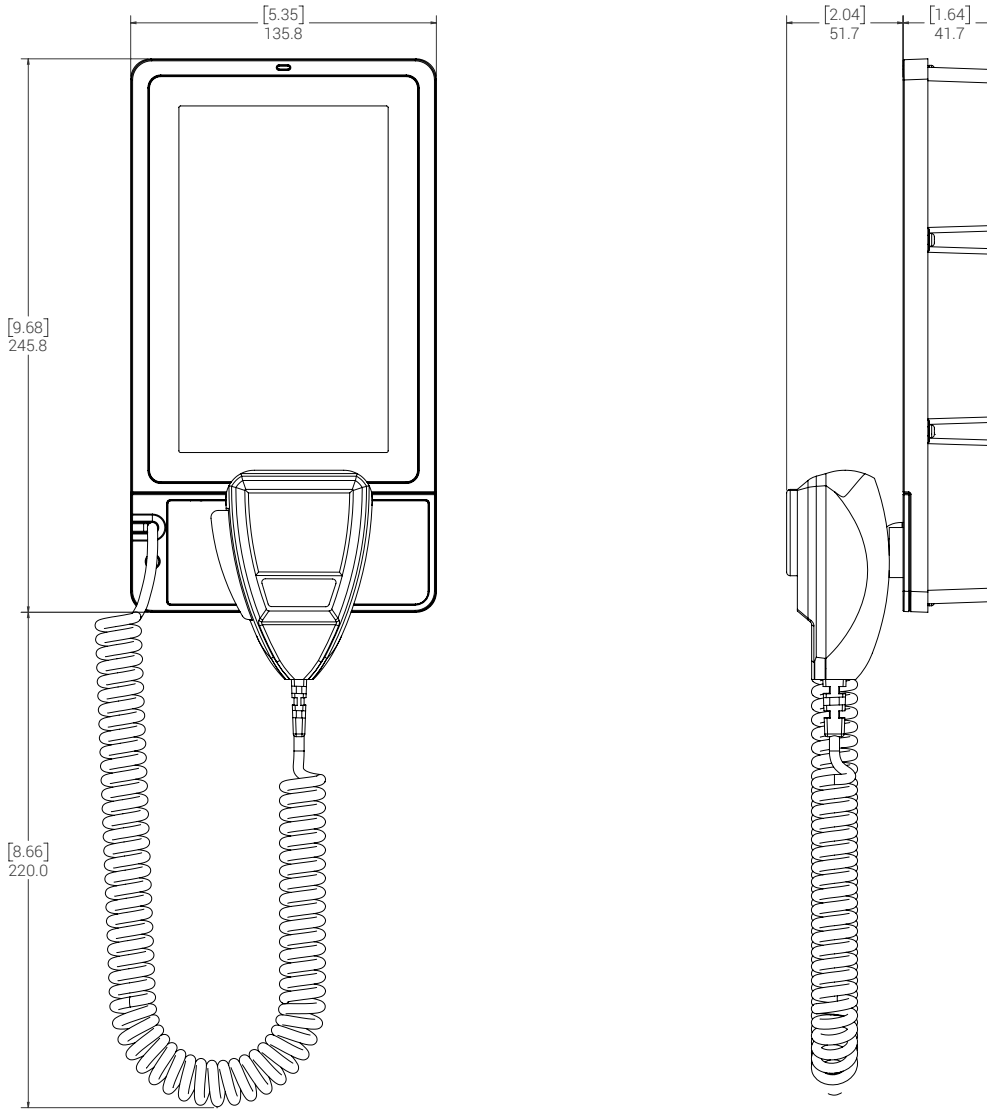
Dimensional Drawings

Horizontal Core Unit w/ Microphone - Back/Right View



Dimensional Drawings

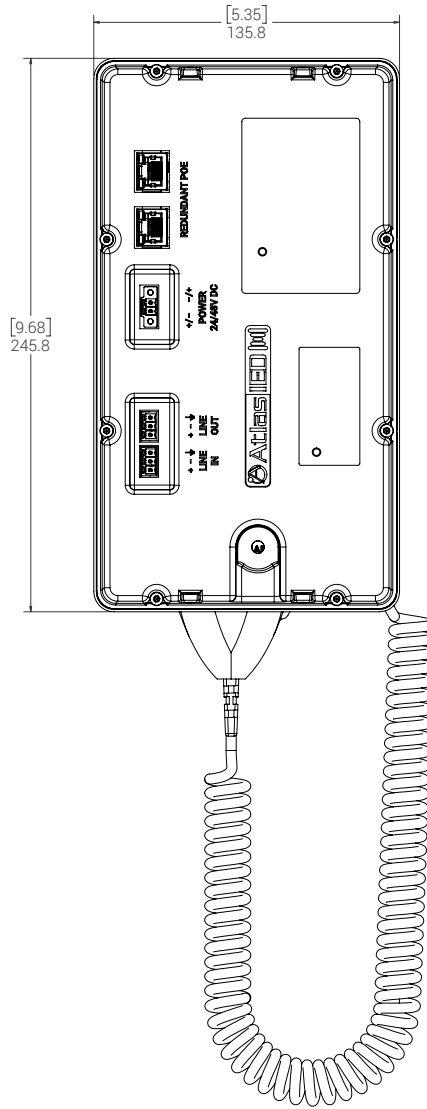
Vertical Core Unit w/ Microphone - Front/Left View



©2021 Atlas Sound L.P. The Atlas "Circle-A", Soundolier, and Atlas Sound are trademarks of Atlas Sound L.P. IED is a Registered Trademark of Innovative Electronic Designs LLC. All rights reserved. All other Trademarks are property of their respective owners. No endorsement is implied. Due to continual product development, specifications are subject to change without notice. ATSO06816 RevB 12/21

Dimensional Drawings

Vertical Core Unit w/ Microphone - Back View



Architect and Engineer Specifications

The GLOBALCOM® communication station shall provide for immediate digitization of full bandwidth audio transmission over a standard ethernet connection using Dante® or CobraNet® digital network audio. It shall provide a line level audio input for network audio transmission and a line level audio output for network audio reception. It shall be a programmable touchscreen interface with a 7" diagonal LCD screen with 800x480 or 480x800 resolution and capacitive touch technology. It shall provide ability to initiate audio paging and messages. The GLOBALCOM® communication station shall be powered via an IEEE 802.3af PoE connection. It shall include a secondary IEEE 803.af ethernet port for redundant network and power capability. An auxiliary 24/48V DC power port shall be provided for non-powered ethernet connections. It shall provide internal fault status through the network connection.

The GLOBALCOM® communication station shall have a handheld microphone with a programmable push-to-talk switch integrated with a microphone preamplifier and an audio line driver. It shall utilize a magnet for attachment to the microphone station base assembly and be supplied with a circular coiled cable which is built into the housing assembly. A metal plate shall be included for magnetizing to the microphone.

It shall provide the ability to mount flush to a surface, on top of a surface, or on a desktop free standing configuration with required mounting kits. The outer box shall be manufactured in plastic and colored RAL 9011 graphite black.

The GLOBALCOM® communication station shall be the AtlasIED 571D (Dante®) or 571C (CobraNet®).