

SM42TEN-B(WH)

Strategy Series® Surface Mount Loudspeaker



Features

- Compact, Two-Way Loudspeaker Systems for Exceptional Performance in Sound Reinforcement Systems
- Weather-Resistant Construction For Year-round Indoor Use, (Not EN54-24 certified for outdoor use), UV-resistant PC / ABS, Injection Molded, Weatherproof Enclosure, Powder Coated Aluminum Grilles and all Brass Hardware Inserts
- 100HR Salt Spray Test Per ASTM B117
- EN54-24 Certified
- Color Matched Heavy-duty Zinc Chromate Plated & Powder Coated "C" Bracket (Included)
- Highly Efficient 4" (102mm) Polypropylene Woofer
- 1" (25mm) Ferrofluid™ Cooled Dome Tweeter
- AtlasIED TRX WAVEGUIDE™ – A Constant Directivity Style High Frequency Wave Guide System Provides Accurate, Even High Frequency Coverage
- AtlasIED POLYGUARD™ High Frequency Circuit Diverts Damaging Transient Signals to Protect the Tweeter
- Screwdriver Adjustable 16 Watt 70.7V/100V transformer for Distributed Sound Applications (may be bypassed for 8Ω operation via tap selector switch)

- All 1/4"-20 Hardware Inserts Allow Easy Integration of "Off The Shelf" Security Hardware
- OMNIMOUNT™ 10 Series Compatible
- Available in Black (RAL-9011) or White (RAL-9014)
- Five-Year Warranty

Applications

- Indoor / Outdoor
- Retail
- Restaurants
- Corporation
- House of Worship

General Description

Environment-resistant EN54-24 certified SM Series loudspeaker systems offer quality sound reproduction and contemporary styling in a compact enclosure. System components consist of a highly efficient woofer section and ferrofluid cooled mylar high frequency device. Vocal and musical clarity is optimized by the mathematically conceived, advanced design of the AtlasIED TRX Control WaveGuide™ high frequency director. This design provides smooth, even sound coverage (90° x 90°). The high frequency section is symmetrical, for equal coverage in both vertical and horizontal cabinet mounting positions. High frequency component protection is provided by the AtlasIED Poly Guard™ protection circuit. Both drivers feature low-flux-leakage designs enabling the speaker to be used in close proximity to video monitors. For critical video monitoring applications, a minimum distance of 18" from the edge of the loudspeaker to the edge of the screen is recommended. The SM42TEN-B and SM42TEN-WH includes an internally mounted 16 Watt 70.7V/100V line matching transformer with screwdriver adjustable external tap selection for use in distributed sound applications.

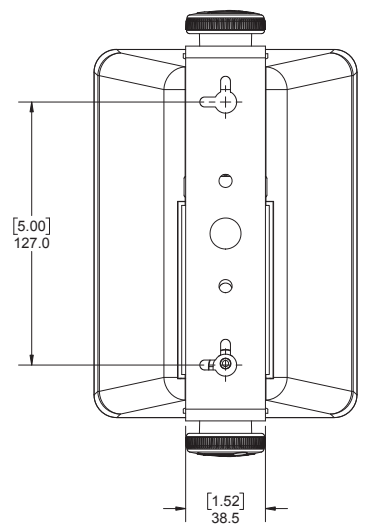
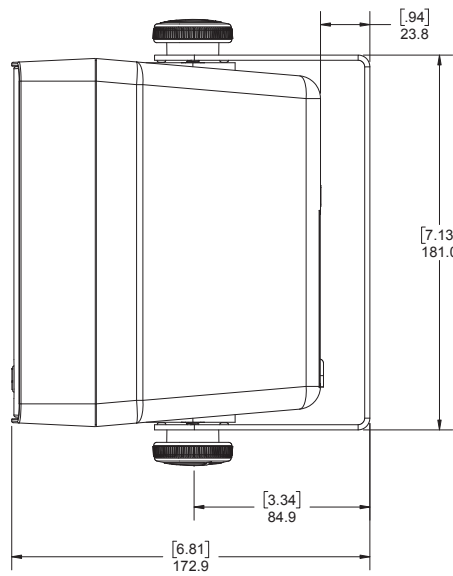
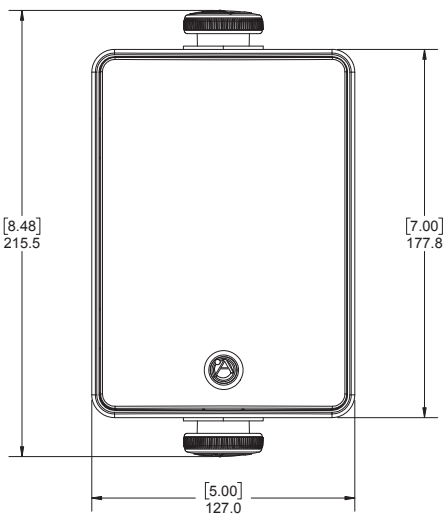
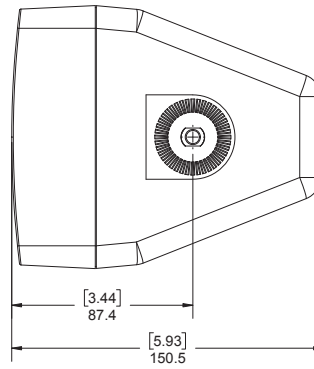
To withstand the harshest environments, the new Strategy Series® SM42TEN-B and SM42TEN-WH surface mount loudspeakers are constructed of weather resistant materials: UV-resistant, Polycarbonate/acrylonitrile butadiene styrene injection

molded cabinets; polypropylene woofer cones; powder coated aluminum grilles and all brass hardware. The Strategy Series speaker systems include a versatile yet simple C-bracket designed to provide easy vertical or horizontal installation on just about any surface. Care should be taken to ensure that the chosen mounting surface is strong enough to support the SM42TEN-B and SM42TEN-WH. Care should also be taken to ensure that the SM42TEN-B and SM42TEN-WH is not exposed to direct precipitation. A 15mm (.59") hole is provided on the C-bracket to allow the SM series speaker to be mounted on any AtlasIED microphone stand for near-field live sound applications. 2-3/8" OC brass 1/4" inserts are also provided on the rear of the SM42TEN-B and SM42TEN-WH to accommodate the AtlasIED SMBALLMOUNT bracket or OMNIMOUNT™ 10 Series brackets. All inserts for mounting knobs are standard 1/4"-20 to allow easy substitution of standard "off the shelf" vandal proof torx head or "one-way" hardware. Input connectors include a sealed 2-pole terminal strip capable of accepting up to two #16AWG wires. 2, 4, 8 and 16 Watt taps are screwdriver selectable via a sealed switch located near the input section on the rear of the cabinet. Internal transformer may also be bypassed for 8Ω operation via tap selector switch. A flush cover with wire exit hole is provided to ensure input connections and tap selector switch are protected. Systems are available in Black or White finishes and can be painted to accommodate any architectural considerations.

Specifications	
Power Rating (RMS)	16 Watts RMS
Transformer Taps	2, 4, 8, & 16 Watts and 8Ω Bypass
Frequency Response	115Hz – 16kHz (±5dB)
Sensitivity (1W/1m)	88dB
EN54-24 Sensitivity (1W/4m)	67dB
Height	7" (178mm)
Width	5" (127mm)
Depth	5 15/16" (151mm)

©2021 Atlas Sound L.P. The Atlas "Circle-A", Soundolier, and Atlas Sound are trademarks of Atlas Sound L.P. IED is a Registered Trademark of Innovative Electronic Designs LLC. All rights reserved. All other Trademarks are property of their respective owners. No endorsement is implied. Due to continual product development, specifications are subject to change without notice. ATSO06687 RevB 8/21

Dimensional Drawings



Architect & Engineer Specifications

The indoor, mini-loudspeaker system shall be AtlasIED Model SM42TEN-(B or WH) or approved equal. Assemblies shall consist of a two-way loudspeaker system and tweeter within environment-resistant housings. Enclosure shall be constructed of paintable UV-resistant, PC/ABS injection molded plastic finished in black (SM42TEN-B) or white (SM42TEN-WH). Each unit shall include a stamped powder coated aluminum grille and removable C-shaped mounting bracket. All hardware inserts shall be brass and threaded 1/4"-20. The 16 Watt RMS system shall have a 4" (102mm) woofer constructed of reinforced polypropylene and a 1" (25mm) ferrofluid tweeter. The dividing network crossover frequency shall be 4kHz. The dividing network shall include protection circuits for the high-frequency component. Each unit shall include an internally mounted 16 Watt 70.7V/100V line matching transformer for use in distributed sound applications. Wattage taps shall be screwdriver selectable via a sealed switch located near the input section. Wattage taps shall be 2, 4, 8, & 16 Watts @ 70.7V. The loudspeaker system shall meet the following performance criteria: Power handling: 16 Watts RMS; Frequency response: 115Hz – 16kHz (± 5 dB); Pressure Sensitivity: 88dB SPL at one Watt, 85Hz – 16kHz measured at a distance of one meter on axis. Impedance shall be 8 Ω nominal. Input connectors shall include a two-pole barrier strip capable of accepting up to two #16AWG cables. A cover with wire exit hole shall be provided to protect the input connectors. The loudspeaker system shall exhibit no performance or cosmetic degradation after a 100 hour salt spray test per ASTM B117. The unit shall be 7" (178mm) high, 5" (127mm) wide, and 5 15/16" (151mm) deep.