



**IPCSD1 & IPCSD4**  
**Dante™ Digital Communication Stations**



**DOC381B**



9701 Taylorsville Rd. • Louisville, KY 40299 U.S.A.  
Telephone: 502.267.7436 • Fax: 502.267.9070

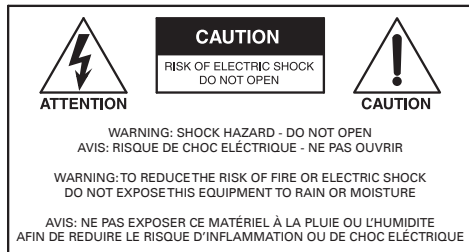
**Table of Contents**

Important Safety Instructions..... 3  
Introduction ..... 9  
Indicators and Connections..... 10  
Installation ..... 11  
Dimensions ..... 13  
FCC & Legal Notices ..... 15  
Warranty..... 16



9701 Taylorsville Rd. • Louisville, KY 40299 U.S.A.  
Telephone: 502.267.7436 • Fax: 502.267.9070

## Important Safety Instructions




The lightning flash with arrowhead symbol within an equilateral triangle, is intended to alert the user to the presence of uninsulated "dangerous voltage" within the product's enclosure that may be of sufficient magnitude to constitute a risk of electric shock to persons.



The exclamation point within an equilateral triangle is intended to alert the user to the presence of important operating and maintenance (servicing) instructions in the literature accompanying the product.

1. Read these instructions.
2. Keep these instructions.
3. Heed all warnings.
4. Follow all instructions.
5. Do not use this device near water.
6. Clean only with dry cloth.
7. Do not block any ventilation openings. Install in accordance with the manufacturer's instructions.
8. Do not install near any heat sources such as radiators, heat registers, stoves, or other device that produce heat.
9. Do not defeat the safety purpose of the polarized or grounding-type plug. A polarized plug has two blades with one wider than the other. A grounding type plug has two blades and a third grounding prong. The wide blade or the third prong are provided for your safety. If the provided plug does not fit into your outlet, consult an electrician for replacement of the obsolete outlet.
10. Protect the power cord from being walked on or pinched particularly at plugs, convenience receptacles, and the point where they exit from the device.
11. Only use attachments/accessories specified by the manufacturer.
12. Use only with the cart, stand, tripod, bracket, or table specified by the manufacturer, or sold with the device. When a cart is used, use caution when moving the cart / device combination to avoid injury from tip-over.



13. Unplug this device during lightning storms or when unused for long periods of time.
14. Refer all servicing to qualified service personnel. Servicing is required when the device has been damaged in any way, such as power-supply cord or plug is damaged, liquid has been spilled, or objects have fallen into the device, the device has been exposed to rain or moisture, does not operate normally, or has been dropped.
15. This product is equipped with a three-wire grounding-type plug, a plug having a third (grounding) pin. This plug will only fit into a grounding-type power outlet. This is a safety feature. If you are unable to insert the plug into the outlet, contact your electrician to replace your obsolete outlet. Do not defeat the safety purpose of the grounding-type plug.
16. **WARNING:** To reduce the risk of fire or electric shock, this device should not be exposed to rain or moisture and objects filled with liquids, such as a vase, should not be placed on this device.
17. To completely disconnect this equipment from the mains, disconnect the power supply cord plug from the receptacle.
18. The mains plug of the power supply cord shall remain readily operable.
19.  Protective earthing terminal. The apparatus should be connected to a mains socket with a protective earthing connection.



9701 Taylorsville Rd. • Louisville, KY 40299 U.S.A.  
Telephone: 502.267.7436 • Fax: 502.267.9070



**WARNING - When The Device Is In Use**

- WARNING: For the terminals marked with symbol of ⚡ may be of sufficient magnitude to constitute a risk of electric shock. The external wiring connected to the terminals requires installation by an instructed person or the used of ready-made leads or cords.
- WARNING: The apparatus shall not be exposed to dripping or splashing and that objects filled with liquids, such as vases, shall not be placed on apparatus.
- WARNING: The mains plug is used as disconnect device, the disconnect device shall remain readily operable.
- To prevent electric shock, do not remove the product cover as there are high voltage components inside. Refer all servicing to AtlasIED.
- Should any of the following irregularities occur during use, immediately switch off the power, disconnect the power cord from the AC outlet and contact AtlasIED. Do not to attempt to continue operation with the product as this may cause fire or electric shock:
  - Smoke or strange smell coming from the unit.
  - If the product falls or the case is damaged.
  - If water or any metallic objects falls into the product.
  - If the power supply cord is damaged in any way.
  - If the unit is malfunctioning.
- Do not insert or drop metallic objects or flammable materials into the ventilation holes of the product's cover, as this may result in electric shock or fire.
- Do not place any containers with liquid or metallic objects on the top of the product. If any liquid spills into the unit, fire or electric shock may result.
- Never operate this product or touch the power supply cord during an electrical storm, electric shock may result.
- Never exceed the power rating on the product when connecting equipment. Fire and/or property damage may result.
- Operate the product only with the voltage specified on the unit. Fire and/or electric shock may result if a higher voltage is used.
- Do not modify, kink, or cut the power cord. Do not place the power cord in close proximity to heaters and do not place heavy objects on the power cord, including the product itself, doing so may result in fire or electrical shock.
- Ensure that the safety ground terminal is connected to a proper ground. Never connect the ground to a gas pipe as a catastrophic disaster may result.
- Be sure the installation of the product is stable, avoid slanted surfaces as the product may fall and cause injury or property damage.



**CAUTION - When Installing The Product**

- Plugging in or unplugging the power cord with wet hands may result in electric shock.
- Never move the unit with the power cord plugged into the wall, as damage to the power cord may result.
- When unplugging the cord from the wall, grasp the plug, NOT the cord.
- Never install this product in humid or dusty locations, nor in direct sunlight, near sources of heat, or in areas where sooty smoke or steam are present. Fire and electric shock may result.
- Keep all sides of the unit at least 3 1/2" away from objects that may obstruct air flow to prevent the unit's internal temperature rise.



**CAUTION - When The Product Is In Use**

- Never place heavy objects on the product, causing it to fall and/or break, resulting in personal injury and property damage. In addition, the product itself may fall and cause injury and property damage.
- Contact AtlasIED for instructions on cleaning the inside of the unit. Large accumulations of dust inside the unit may result in heat buildup and fire.
- Ensure that the power supply plug is securely plugged into the wall outlet. Never allow dust to accumulate on the power plug or inside the wall outlet.
- When cleaning the unit or the unit is not to be operated for an extended period, unplug the power cord from the wall.



9701 Taylorsville Rd. • Louisville, KY 40299 U.S.A.  
Telephone: 502.267.7436 • Fax: 502.267.9070

**WARNING:** To reduce the risk of fire or electric shock, do not expose this apparatus to rain, moisture, dripping, splashing, or place objects filled with liquids on the equipment.

**AVERTISSEMENT:** Afin de réduire le risque d'incendie ou de choc électrique, n'exposez pas cet appareil à la pluie, à l'humidité, à l'égouttement, aux éclaboussures, et ne posez pas des objets remplis de liquide sur l'appareil

**WARNING:** If apparatus is equipped with Class I grounding plugs for safety purposes, it must be connected to MAINS that employ a protective earth ground connection.

**AVERTISSEMENT:** si l'appareil est équipé de prises de terre classe I, pour des raisons de sécurité, il doit être branché sur un réseau ayant une prise de terre de protection.

**WARNING:** The MAINS plug on this device may be used as the DISCONNECT DEVICE for MAINS power and must remain readily operable.

**AVERTISSEMENT:** La prise principale de cet appareil peut être utilisé comme DISPOSITIF de DECONNEXION du courant principal et doit rester facilement accessible.

**WARNING:** Installation and maintenance of IED equipment is to be made by trained/qualified personnel and must conform to all applicable local codes.

**AVERTISSEMENT:** l'installation et la maintenance des équipements IED doit être faite par du personnel formé / qualifié et doivent être conformes à toutes les réglementations locales en vigueur.

**WARNING:** If unit contains a lithium battery, there is a danger of explosion. Replace only with the same or equivalent type.

**AVERTISSEMENT:** Si l'unité contient une pile au lithium, il y a un danger d'explosion. Remplacez-la uniquement avec un modèle identique ou équivalent.

## SAFETY CONSIDERATIONS

### SAFETY PRECAUTIONS

Personnel properly qualified in the application and use of life safety equipment ("qualified personnel") shall read this manual carefully before performing any actions to specify, apply, install, maintain and perform operational tests of IED systems, and associated products in accordance with the instructions in this manual. This manual shall be made available to all qualified personnel who operate, test, maintain, or service IED systems, and associated products. It is strongly recommend that such personnel read and understand the entire manual.

**WARNING: IF SAFETY PRECAUTIONS, INSTALLATION AND TESTING ARE NOT PERFORMED PROPERLY, CONDITIONS COULD EXIST IN WHICH THE IED SYSTEM MAY NOT OPERATE, OR MAY OPERATE IMPROPERLY. THIS COULD RESULT IN PROPERTY DAMAGE AND SERIOUS INJURY OR DEATH TO YOU AND/OR OTHERS.**

**AVERTISSEMENT: SI LES MESURES DE SECURITE, L'INSTALLATION ET LES ESSAIS NE SONT PAS EFFECTUES CORRECTEMENT, CELA POURRAIT EMPECHER LE SYSTÈME IED DE FONCTIONNER, OU DE FONCTIONNER CORRECTEMENT. CELA POURRAIT PROVOQUER DES DEGATS MATERIELS ET DES BLESSURES GRAVES, OU LA MORT POUR LES AUTRES ET/OU VOUS-MEMES.**

It is very important that only responsible, trained personnel are allowed to operate and maintain these systems, and that they use only appropriate equipment and tools. If a person is not trained, they shall contact the IED factory for direction on how to operate and maintain an IED system.



9701 Taylorsville Rd. • Louisville, KY 40299 U.S.A.  
Telephone: 502.267.7436 • Fax: 502.267.9070

**Unauthorized personnel and equipment must be restricted from the areas of operation.**

All operations should be performed carefully, methodically, and without hurrying. Greater effectiveness will be developed by increased familiarity of personnel with their assignments. During any maintenance operation, if a malfunction occurs or an incorrect indication appears, stop the operation and determine whether or not it is safe to proceed. Before performing any step in a procedure, be sure that the preceding step has been properly executed and correct results obtained. Cleanliness and good housekeeping in all installation areas are major factors in effective accident prevention. Tools and equipment should be maintained in good working order and should always be returned to their proper storage place after usage. Cleaning agents and other cleaning aids should be removed from the equipment areas immediately upon completing the task at hand.

-Changes, modifications, or additions in connection with the IED system equipment shall not be made without explicit authorization of IED.

Safety devices found on mechanical, and electrical and electronic equipment are put there for the protection of personnel and equipment. These devices must be maintained in good working order and operative at all times. Safety devices shall never be removed or bypassed unless specifically authorized by the IED factory. Where safety devices have been rendered inoperable by proper and specific authorization, adequate notices shall be posted to warn personnel of the potential hazard.

Avoid the use of flammable or toxic cleaning fluids, and the use of carbon tetrachloride is prohibited.

Maintenance of the equipment shall be at least what is specified in the IED manuals and literature, and performed only by qualified personnel.

Whenever operation and maintenance is ongoing, personnel in the equipment areas shall have an effective communication among these areas in order to protect people if any accident occurs.

**PRELIMINARY PRECAUTIONS**

Precautions which are applicable to general electrical or electronic maintenance are as follows:

- a. Check yourself. Wear no article that might catch on equipment or that might act as a conductor.
- b. Check the working area. The equipment area shall be clean and dry. If possible, stand on a special insulator such as a rubber mat. There should be ample working space and good lighting.
- c. Check the tools. Always use proper tools and check them for their safe condition. Use screwdrivers with plastic handles. Check test equipment periodically and examine test leads carefully as the slightest break in insulation is dangerous.
- d. Check the procedures. Study the entire procedure before taking the first step. Consult the circuit diagram frequently to obtain an understanding of what is accomplished at each step. Know what is in the equipment and how it differs from others on which you have worked.
- e. Be aware that high voltages may be present across terminals that are normally low voltage, due to equipment breakdown. Be careful when measuring low voltages in equipment containing high voltage circuits.
- f. Do not make resistance measurements with power on.
- g. Do not work within the equipment without the presence of a person who is capable of rendering aid, and who is familiar with the procedure for emergency shutdown of the equipment.



9701 Taylorsville Rd. • Louisville, KY 40299 U.S.A.  
Telephone: 502.267.7436 • Fax: 502.267.9070

### PRECAUTIONS WHEN MEASURING HIGH VOLTAGE POTENTIALS

Observe the following precautions when measurements must be performed on circuits with potentials over 48 volts.

- h. Do not measure potentials over 48 volts without the presence or assistance of a person who is capable of rendering aid, and who is familiar with the procedure for emergency shutdown of the equipment.
- i. Be sure you are not grounded when you are adjusting equipment or using measuring equipment. Stand on a rubber mat or other insulator if possible. Be sure the equipment area is clean and dry. In general, use only one hand when servicing live equipment.
- j. If a test meter must be held or adjusted while voltage is applied, ground the case of the meter before starting a measurement. Do not touch the live equipment or personnel working on live equipment while holding the meter. The “common” terminal on some A/C electronic voltmeters is at ground potential; never connect the “common” terminal to any point above ground potential.
- k. High-voltage, high-capacitance capacitors should be discharged before servicing is started.



**WARNING!** Discharging must be done carefully and judiciously. First ascertain whether there is a built-in bleeder network. If so, wait a minute or two for the capacitor to discharge through the network. Otherwise, use an external discharge network. This is most important in the case of high voltage or high capacitance capacitors. If one terminal is connected to ground, connect the discharge network between the other terminal and ground. If neither terminal of the capacitor is grounded, connect the network across the capacitor terminals. Connecting a short circuit across the terminals is not recommended. Doing so can produce extremely high currents and a flash which can injure the eyes, vaporize metals, and cause burns.



**AVERTISSEMENT:** La décharge doit être faite soigneusement et judicieusement. Vérifier d'abord si il y a un réseau de purgeur incorporé. Si c'est le cas, attendez une minute ou deux pour que le condensateur se décharge par le réseau. Sinon, utilisez un réseau de décharge externe. Ceci est très important en cas de haute tension ou des condensateurs à haute capacité. Si un terminal est relié à la terre, connecter le réseau de décharge entre l'autre terminal et la terre. Si aucun terminal de condensateur est fondé, relier le réseau au terminal du condensateur. La connexion d'un court-circuit entre les terminaux n'est pas recommandée. Cela peut créer des courants très élevés où des étincelles pourrait blesser les yeux, fondre les métaux et causer des brûlures.



9701 Taylorsville Rd. • Louisville, KY 40299 U.S.A.  
Telephone: 502.267.7436 • Fax: 502.267.9070

**PRECAUTIONS WHEN WORKING ON ENERGIZED EQUIPMENT**

When it is necessary to work on energized equipment, think ahead and anticipate every hazard. Never work alone on energized equipment.

Interlock switches are installed on some of the doors and panels to break the power circuits when the enclosure is entered. When it is necessary to work within such an enclosure on energized equipment, the interlock may be bypassed. Extreme caution should then be exercised, as dangerous voltages are present within the unit.

**AC POWER CIRCUITS**

Equipment obtaining power from a secondary distribution system should be grounded at all times by means of a third grounding wire on the power lines. Equipment permanently wired to a secondary distribution system should also be grounded separately by connection to a grounding bus or ground rod with a sufficiently large conductor to handle the current expected if the secondary source is accidentally shorted to the equipment.

The ground wire should be protected from mechanical damage and periodically inspected for good physical condition.

Personnel should never depend on a switch to remove power from equipment. If the equipment is connected to the secondary distribution system by means of a power cable, detach the cable from the receptacle before attempting any repairs or removal of chassis.

If the equipment is permanently wired to the secondary distribution system, remove the main fuses or open the power switch. Attach a suitable warning tag to the switch which will warn personnel not to operate the equipment; only the person who originally attaches the warning tag should be authorized to remove it.

**RESUSCITATION**

Personnel working with or near high voltage should be familiar with modern methods of resuscitation. Such information and training is available from the Red Cross or local emergency response personnel such as the police and fire department.



9701 Taylorsville Rd. • Louisville, KY 40299 U.S.A.  
Telephone: 502.267.7436 • Fax: 502.267.9070



## Introduction

The IPCSD Series digital communication stations provide immediate high-quality digitization of full bandwidth audio, and transmission over a standard Ethernet connection. The communication stations utilize the 501HH teardrop handheld microphone that includes a programmable push-to-talk switch. The station uses a metal magnet landing area for the 501HH to provide a storage position for the microphone. The IPCSD4 digital microphone station is a 4-button device for initiating audio / visual announcements, messages and pages with the GLOBALCOM® IP100 Series Announcement Control Systems. The IPCSD1 is a push-to-talk switch only digital microphone station. It is a network appliance with a unique IP address that requires no configuration.

Just like AtlasIED's other digital microphone stations, the IPCSD Series uses a single Ethernet interface for audio and control data. The IPCSD Series is fully compatible with IEEE 802.3af standard for Power over Ethernet (PoE), allowing the communication station to be powered directly from any standard, off-the-shelf PoE switch.

These communication stations are designed to maximize the benefits of a standard Ethernet LAN-based network, using off-the-shelf switches and structured CAT5e or better cabling. The IPCSD Series utilize Dante™ technology for transporting high-quality, low-latency digital audio over Ethernet.

## Ordering Options

**IPCSD1** – Push-to-talk only communication station

**IPCSD4** – Four-button communication station

**IEDA520DTB** – Optional base for desktop applications (see Figure below)

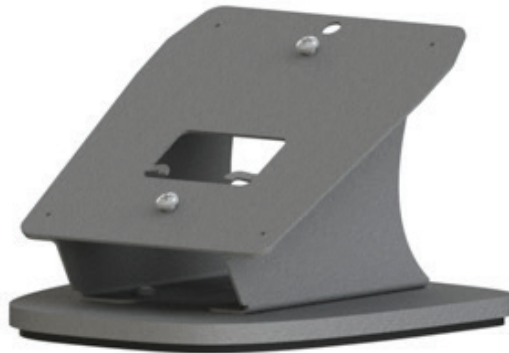
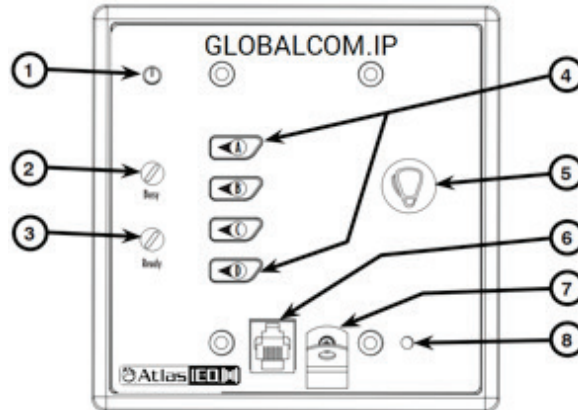


Figure 1: IEDA520DTB Desktop Base

## Indicators and Connections



**RJ-45 connector for Ethernet is on the rear.**

**Figure 2: IPUSBD Rear View**

### 1. Power LED

This LED will illuminate when the microphone station is powered on.

### 2. Busy LED

This red LED will flash if a button is pressed to make an announcement to indicate that the announcement cannot be made at that time because the system is busy.

### 3. Ready LED

This LED will flash and beep to indicate that the communication station is ready for an announcement. It will illuminate solid when the push-to-talk switch on the handheld microphone is pressed and the announcement is active. If there are time limits on announcements, it will begin to flash when the end of the time limit approaches.

### 4. Selection Buttons

These four buttons are used to activate announcements or messages on the announcement controller. Their exact function is configured in the announcement controller software.

### 5. Microphone Attachment Location

This marks the location for the magnetic receiver where the 501HH handheld microphone is to be placed when not in use. The actual magnet is located on the back of the 501HH handheld microphone.

### 6. Microphone Input Connector

This RJ connector is used to connect the 501HH handheld microphone to the microphone station.

### 7. Microphone Cable Strain Relief

This clip is used to secure the microphone cable to the microphone station to prevent unnecessary strain on the RJ connector as well as deterring unwanted microphone removal. Remove the screw and insert the microphone cable in the clamp and then reattach to the station during installation.

### 8. Reset Button

There is a small button located on the circuit board through this hole. Use a small tool to press the button and reset the station.

### Installation

#### IPCSD1/IPCSD4 Attached to Standard 2-Gang Electrical Box

The IPCSD1 and IPCSD4 are designed to fit on a standard 2-gang electrical box. Install the unit into a box as shown in Figure 3 below. This is the preferred installation method for wall mounting or any other flush-mount applications. When this mounting method is used, the included plastic back box should be removed and stored for any future needs and use the included screws for mounting the device in the 2-gang electrical box.

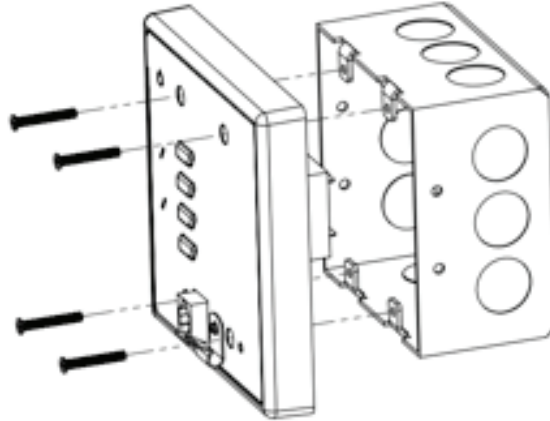


Figure 3: Components in the Included Rack Mount Kit

#### IEDA520DTB Desktop Base

The IEDA520DTB is available as an option when a desktop mounting solution is preferred. The IPCSD1/IPCSD4 ships with the plastic back box that can be attached to the unit as shown in Figure 4 below. The unit is then secured to the base by tightening the retaining screws using the nuts located on the back of the base mounting plate. The microphone station can be removed from the base by loosening the retaining screws using the nuts located on the back of the base mounting plate. The plastic box contains keyhole slots, so the screws can be loosened enabling the unit to slide up and be removed from the base. The DIP switches can then be accessed and the cables can be connected before reattaching the communication station to the base. Simply tighten the retainer screws with the nuts to secure the unit to the base.

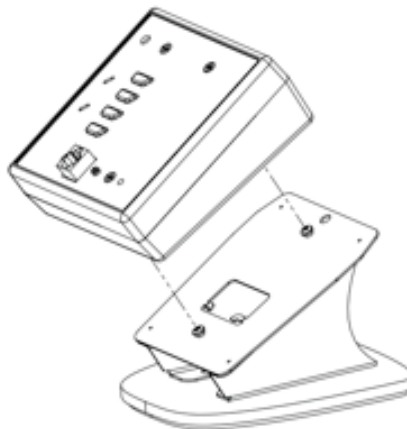
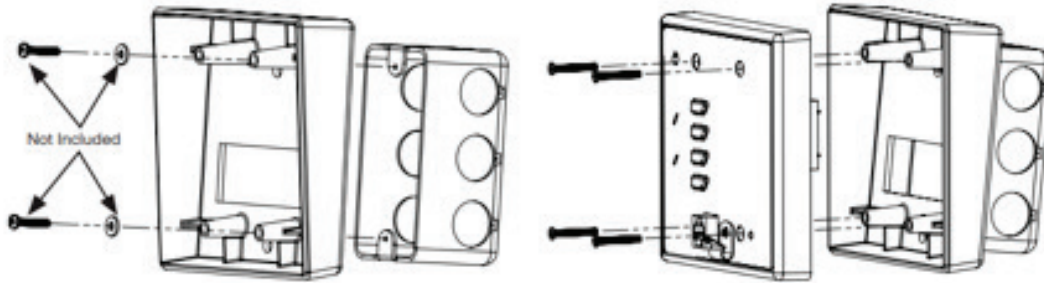


Figure 4: IEDA520DTB Desktop Base Installation

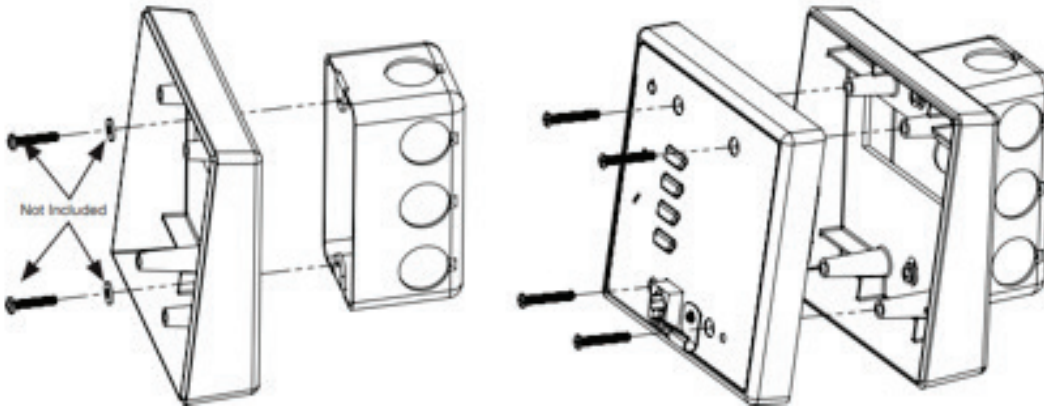
**Alternative Single-Gang Electrical Box Installation**

The IEDA524-H is shipped with a plastic back box that can be used if the installation does not allow for the recommended 2-gang electrical box installation. This box can also be used later if the unit needs to be mounted to a desktop base. The box has two keyholes that fit a standard single-gang electrical box hole pattern. This allows the unit to be easily installed in applications where single gang boxes may already be installed. The box provides a slight forward slant which is excellent for surface mounting the unit in a console. Figure 5 illustrates the process for mounting the unit in such an application. The washers shown are optional and can be used to prevent the unit from being forced off of the box due to the keyhole mounting points.



**Figure 5 Alternate Single-Gang Electrical Box Method A**

Figure 6 illustrates an alternative mounting option where the box has been rotated 180° to provide a slight backward slant to the microphone station. In this case, you must use appropriately sized washers when attaching the box to the electrical box to prevent it from sliding off due to the keyhole mounting points. When the plastic box is attached in this orientation, you will need to make any connections prior to placing the unit in the box. Use care when routing the cables as the clearance between the connector and the box is minimal.



**Figure 6: Alternate Single-Gang Electrical Box Method B**

**Complete Unit Configuration**

The IPCSD1/IPCSD4 units have no separate configuration. They are configured and controlled entirely from the GLOBALCOM®.IP controller by adding them into the system project definition. See the System Management Center (SMC) user manual or online help for specifics related to this.

**Dimensions**

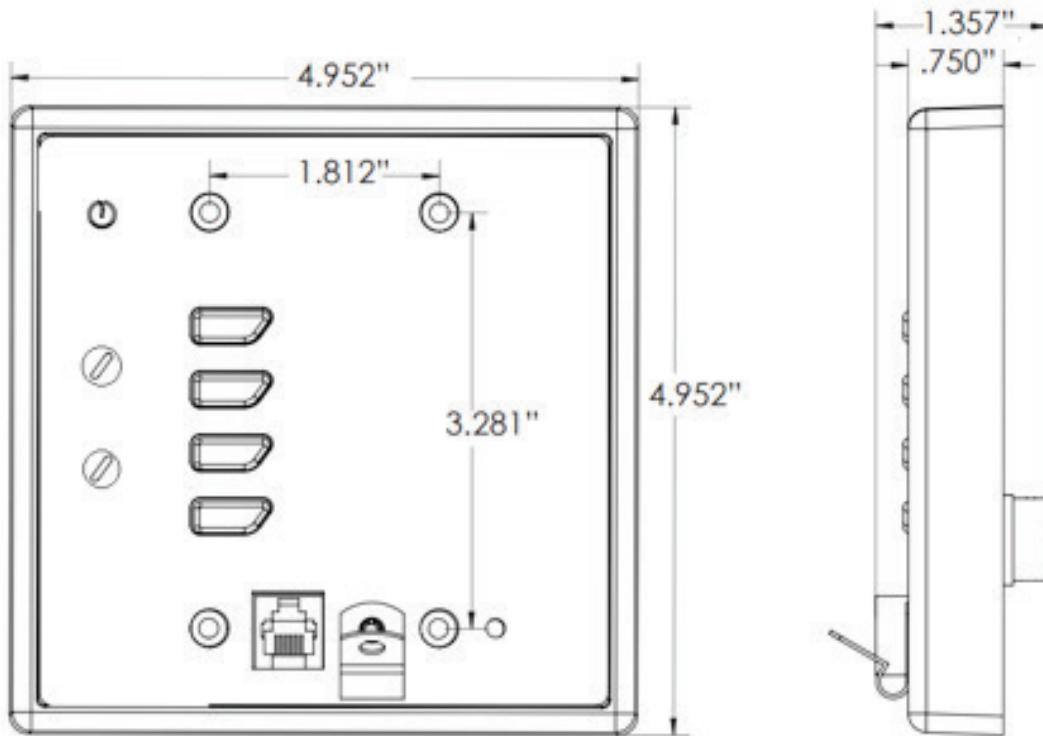


Figure 7: IPCSD4 Bezel Dimensions

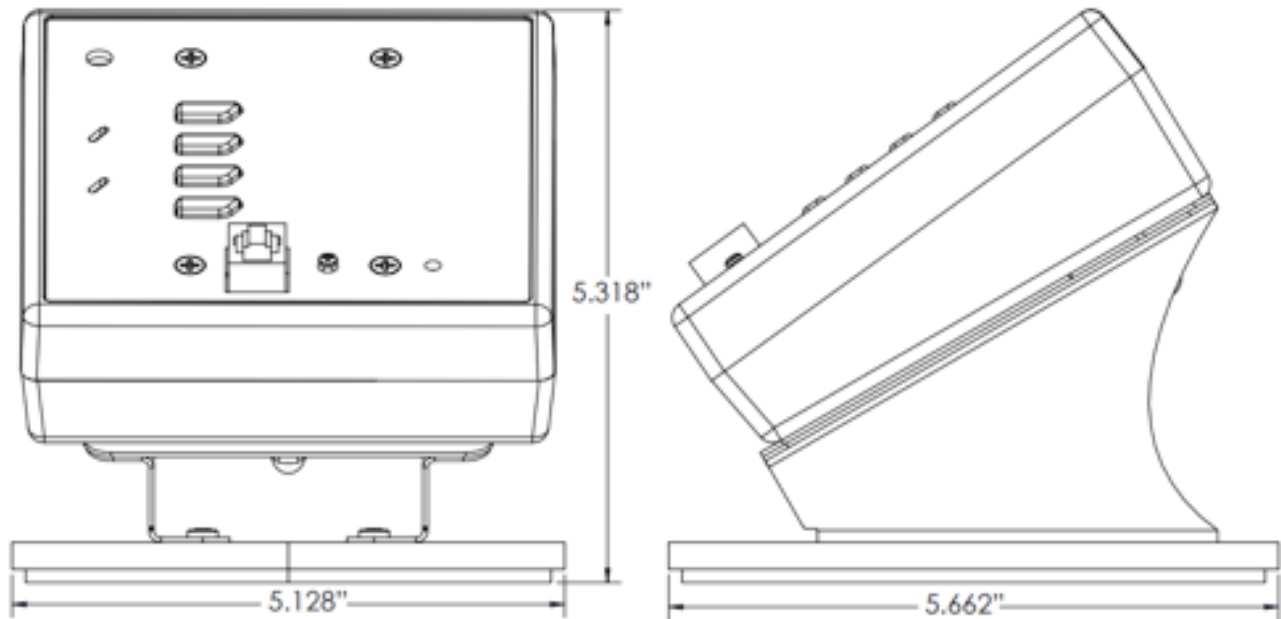


Figure 8: IPCSD4 w/ IEDA520DTB Desk Top Dimensions

### FCC & Legal Notices

This device complies with part 15 of the FCC Rules. Operation is subject to the following two conditions:

1. This device may not cause harmful interference.
2. This device must accept any interference received, including interference that may cause undesired operation.

**NOTE:** This equipment has been tested and found to comply with the limits for a Class A digital device, pursuant to part 15 of the FCC Rules. These limits are designed to provide reasonable protection against harmful interference when the equipment is operated in a commercial environment. This equipment generates, uses, and can radiate radio frequency energy and, if not installed and used in accordance with the instruction manual, may cause harmful interference to radio communications. Operation of this equipment in a residential area is likely to cause harmful interference in which case the user will be required to correct the interference at his own expense.



9701 Taylorsville Rd. • Louisville, KY 40299 U.S.A.  
Telephone: 502.267.7436 • Fax: 502.267.9070

### **Limited Warranty**

All products manufactured by AtlasIED are warranted to the original dealer/installer, industrial or commercial purchaser to be free from defects in material and workmanship and to be in compliance with our published specifications, if any. This warranty shall extend from the date of purchase for a period of three years on all AtlasIED products, including SOUNDOLIER brand, and ATLAS SOUND brand products except as follows: one year on electronics and control systems; one year on replacement parts; and one year on Musician Series stands and related accessories. Additionally, fuses and lamps carry no warranty. AtlasIED will solely at its discretion, replace at no charge or repair free of charge defective parts or products when the product has been applied and used in accordance with our published operation and installation instructions. We will not be responsible for defects caused by improper storage, misuse (including failure to provide reasonable and necessary maintenance), accident, abnormal atmospheres, water immersion, lightning discharge, or malfunctions when products have been modified or operated in excess of rated power, altered, serviced or installed in other than a workman like manner. The original sales invoice should be retained as evidence of purchase under the terms of this warranty. All warranty returns must comply with our returns policy set forth below. When products returned to AtlasIED do not qualify for repair or replacement under our warranty, repairs may be performed at prevailing costs for material and labor unless there is included with the returned product(s) a written request for an estimate of repair costs before any nonwarranty work is performed. In the event of replacement or upon completion of repairs, return shipment will be made with the transportation charges collect.

EXCEPT TO THE EXTENT THAT APPLICABLE LAW PREVENTS THE LIMITATION OF CONSEQUENTIAL DAMAGES FOR PERSONAL INJURY, ATLASIED SHALL NOT BE LIABLE IN TORT OR CONTRACT FOR ANY DIRECT, CONSEQUENTIAL OR INCIDENTAL LOSS OR DAMAGE ARISING OUT OF THE INSTALLATION, USE OR INABILITY TO USE THE PRODUCTS. THE ABOVE WARRANTY IS IN LIEU OF ALL OTHER WARRANTIES INCLUDING BUT NOT LIMITED TO WARRANTIES OF MERCHANTABILITY AND FITNESS FOR A PARTICULAR PURPOSE.

AtlasIED does not assume, or does it authorize any other person to assume or extend on its behalf, any other warranty, obligation, or liability. This warranty gives you specific legal rights and you may have other rights which vary from state to state.

### **Service**

Should your IPCSD Communication Station require service, please contact the AtlasIED warranty department at 502-267-7436, ext. 277 to obtain an RA number.

AtlasIED Tech Support can be reached at 1-800-876-3333 or support.atlasied.com.

Visit our website at [www.AtlasIED.com](http://www.AtlasIED.com) to see other AtlasIED products.

©2021 Atlas Sound L.P. The Atlas "Circle A", Soundolier, and Atlas Sound are trademarks of Atlas Sound L.P. IED is a registered trademark of Innovative Electronic Designs LLC. All Rights Reserved. All other trademarks are the property of their respective owners. All specs are subject to change without notice. DOC381B ATSO05800 RevB 2/21



9701 Taylorsville Rd. • Louisville, KY 40299 U.S.A.  
Telephone: 502.267.7436 • Fax: 502.267.9070