

FAP62T-USA

BAA Compliant Pre-Assembled Strategy Series 6" System Package



Features

- Complete 6" Strategy I Package
- Labor Savings with Single SKU Package
- Package Includes FA136T87, FA97-6, FA81-6, & FA720-6
- UL1480 and UL2043 Listed
- BAA and TAA Compliant

Applications

AtlasIED's FAP62T-USA combines superior coaxial loudspeaker performance with even dispersion and easy installation. A low profile enclosure and wide coverage make the FAP62T-USA a perfect choice for low ceilings.

The FAP62T-USA will satisfy the needs of owners, architects, contractors, and consultants by delivering true, high fidelity sound reproduction in an attractive and easy-to-install system. The FAP62T-USA is ideal for high-intelligibility voice, music, and signal reproduction in commercial, industrial, and institutional applications especially where Buy American Act compliance is required.

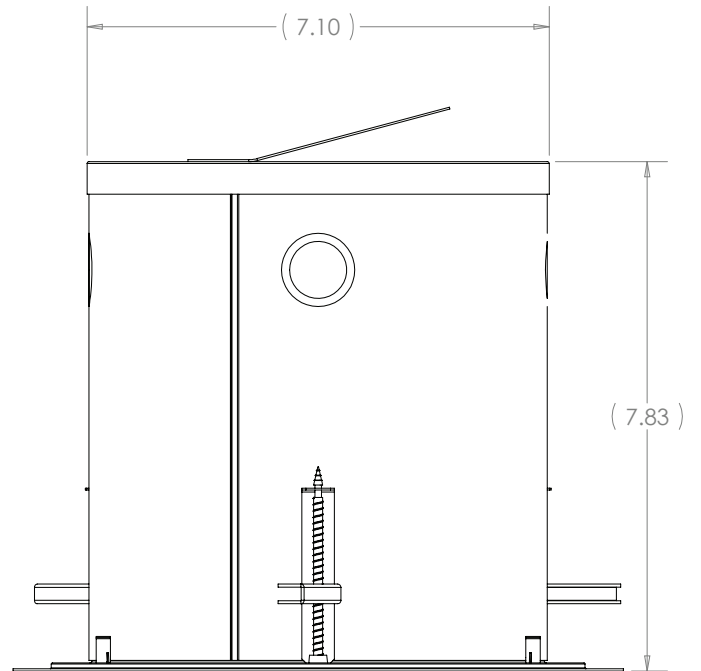
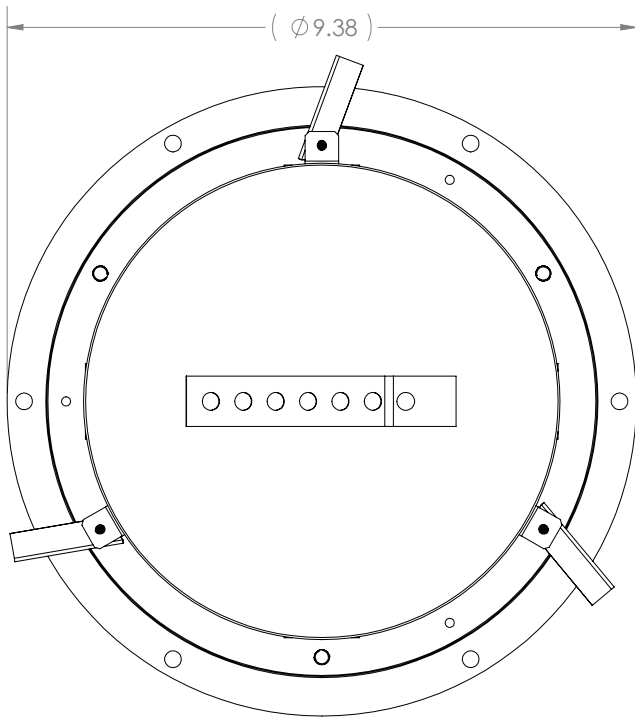
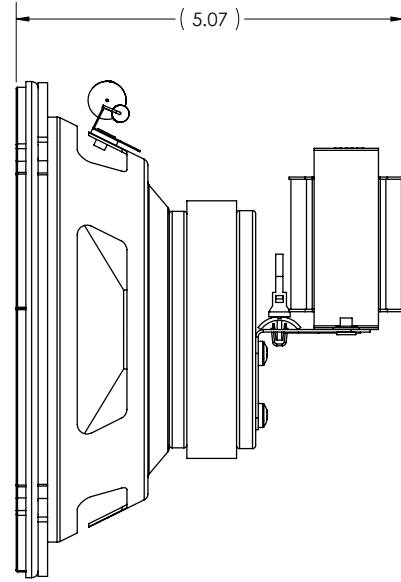
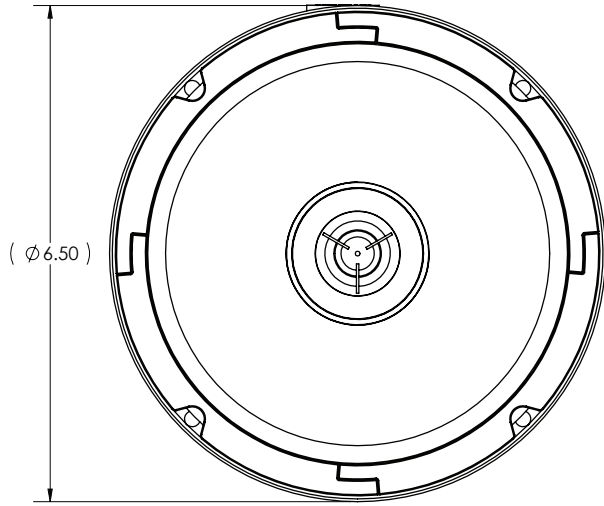
General Description

The FAP62T-USA Strategy Series speaker package includes premium-quality, state-of-the-art 6" Strategy products, in a simple to order, simple to install package. This package includes everything necessary for installation including the FA136T87 Strategy I Series loudspeaker with integrated 70.7V transformer, FA97-6 loudspeaker enclosure, FA720-6 baffle, and FA81-6 tile bridge. Each of the individual components in the package are UL1480 and UL2043 listed for general signaling and plenum ceiling installations.

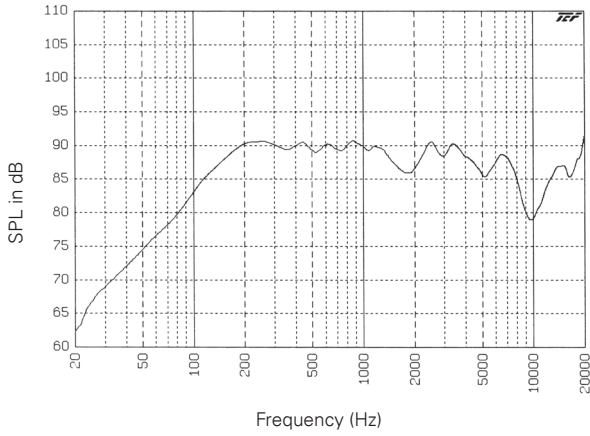
The FAP62T-USA is assembled in AtlasIED's commercial manufacturing facility in Ennis, TX, one of ten working facilities around the United States by AtlasIED and the Mitek Communications Group.

System	
Type	Two Way, Full Range, Coaxial Ceiling Loudspeaker
Operation Mode	Non-powered Passive
Operating Range (-10db)	50dB
Frequency Response (± 5 dB)	80Hz - 20kHz (± 5 dB)
Vertical Coverage	130° Conical (2kHz Octave Band)
Max Input Ratings (8 Ω)	35W Continuous, 50W Program 16.75V RMS, 20V Momentary Peak
Transformer Taps - 70V	8W, 4W, 2W, 1W
Directivity Factor (Q)	4 @ 500Hz to 6kHz
Directivity Factor (DI)	6 @ 500Hz to 6kHz
Input Sensitivity at 1W/1m	88dB SPL
Max SPL at 1m (Passive)	103.4dB Continuous / 105dB Peak
Recommended Signal Processing	90 Hz High Pass Filter
Recommended Power Amplification	35W at 8 Ω
Transducers	
LF Transducer Qty and Size	1 x 6"
LF Voice Coil Size	1.0"
MF Transducer Qty and Size	N/A
MF Voice Coil Size	N/A
HF Transducer Qty and Size	1 x 0.5"
Maximum Output	103.4dB SPL / 105dB SPL (Peak 8 Ω)
Nominal Impedance	8 Ω
Minimum Impedance	7.8 Ω @ 287Hz
Crossover Frequency	2.8kHz
Driver Protection	N/A
Enclosure	
Color	Black
Enclosure Material	Corrosion-resistant Zinc Plated Steel
Grille Material	Powder Coated Steel, White Finish, Paintable
Baffle Connection	N/A
Input Connection	Transformer Leads
Controls	None
Mounting / Rigging Provisions	3 Steel Mounting Clamps with 2" Grip Range
Safety Features	3 Safety Hang Points
Safety Agency Ratings	ETL Listed to Comply with UL1480 and UL2043. Suitable for Use in Air Handling Spaces per NFPA 70 and NFPA 90.
Ingress Protection	IP-21
Environmental Testing	None
Cutout Diameter	8.25" (210mm)
Logo	N/A
Product Dimensions (HxWxD)	6.5" x 6.5" x 5.25" (165mm x 165mm x 133mm)
Shipping Dimensions (HxWxD)	24" x 15" x 12.5" (610mm x 381mm x 318mm)
Shipping Weight - lbs	12 lbs (4 kg)
Warranty Coverage	
Warranty Period	5 Years

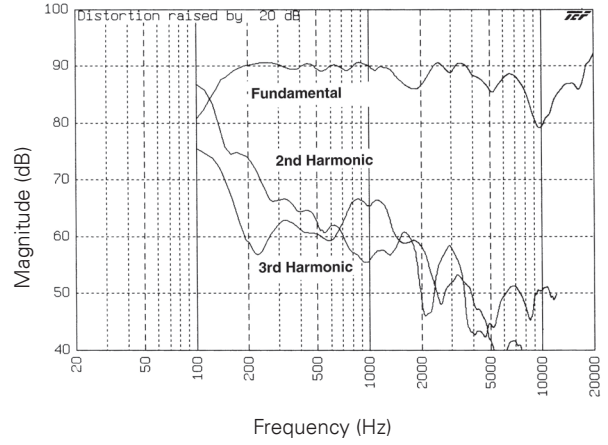
Dimensional Drawings



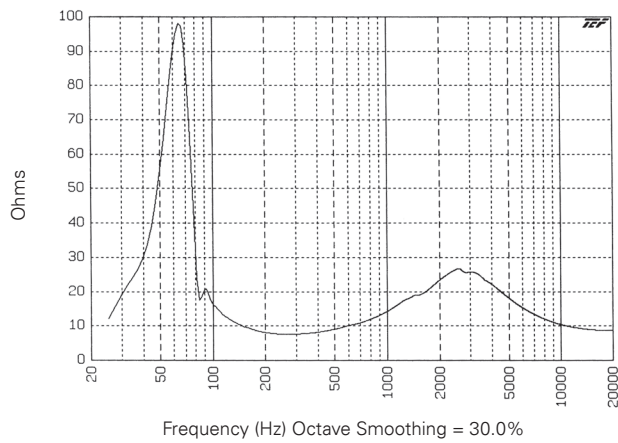
FAP62T-USA Frequency Response



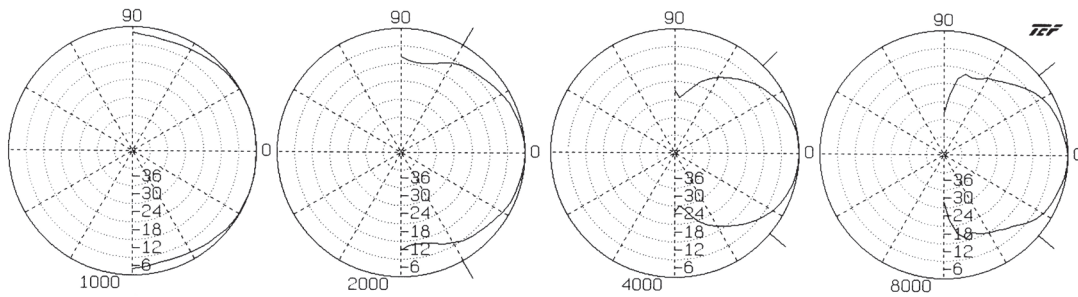
FAP62T-USA Harmonic Distortion



FAP62T-USA Impedance



FAP62T-USA Polars (Normalized to Zero on Axis) (-6dB)



Architect and Engineer Specifications

System shall be UL listed and include a high-performance, 6" coaxial loudspeaker Model FA136, acoustically matched enclosure Model FA97-6 and flush grille Model FA720-6. Strategy Series loudspeakers, enclosures and grilles shall be listed by Underwriters Laboratories (UL 1480 General Signaling) to U.S. and Canadian safety standards. Nominal frequency response of the system shall be 80 Hz - 20 kHz and the sensitivity shall be 88dB (average) measured at 1W/1m across the full bandwidth. Power rating shall be 35 watts RMS. Unit shall be comprised of a 6" diameter low frequency driver constructed of fiber-reinforced polypropylene and synthetic rubber surround. High-frequency driver shall be a post-mounted ferrofluid device with mylar diaphragm. Magnet shall be a minimum of 14 oz. (398g) and the voice coil diameter shall be 1" (25mm). Dispersion shall be 130°. Shall include factory wired 70.7V transformer with primary taps of 1, 2, 4, and 8. System shall include speaker factory installed in FA97-6 enclosure with grille and FA81-6 tile support.