

IPDC-DSE+

Indoor Wall Mount Dual Sided LED Display with Flasher



Features

Network Features

- Dynamic or Static IP Address
- IEEE802.3 10/100Base-T Ethernet
- IEEE 802.1q Tagging
- IEEE 802.11AT Compliant

VoIP Standard Audio

- G.711 u-law/a-law (64 kbit/s)
- G.729 Wideband Audio (64 kbit/s)

Auto Provisioning

- DHCP Option 66, 150, or TFTP Server
- DHCP Option 72 for HTTP Server

Auto Registration

- SLP for InformaCast
- DHCP Option 72 for SA-Announce or GCK

Static Configuration

- HTTP GUI for Static Configuration
- Cisco SRST

Audio Features

- Integrated Amplifier
 - 15-Watt Total Power
 - Primary Speaker Output 8Ω
- Aux Audio Line-In Unbalanced (2.8Vpp 10K)
- Aux Audio Line-Out Unbalanced (2.8Vpp 10K)

Additional Features

- 2 General Purpose Inputs
- 1 Relay Output (2A @ 30 VDC)
- Phone/Night Loud Ringer
- External Power Supply Option
- 8 x 64 LED Display for Clock or Scrolling Text

General Description

Model IPDC-DSE+ is an indoor dual sided display with LED flasher that can display time as well as scrolling text. It leverages the VoIP communication solution to extend notifications with effective visual text alerts for high ambient noise areas or large spaces.

Applications

AtlasIED IPDC-DSE+ registers as a communication endpoint directly within InformaCast, SA-Announce, and GCK advanced notification applications, supporting their visual text broadcast to enhance physical security while improving day-to-day communications through advanced alerting, bell schedules, pre-recorded & scheduled announcements, while leveraging the WAN/LAN network architecture.

When receiving an emergency notification, the flasher on the IPDC-DSE+ becomes active and blinks. When the emergency notification is complete, the IPDC-DSE+ flasher stops blinking.

In addition to visual signaling, the IPDC-DSE+ can provide audio to support distributed analog public address systems with the convenience of line level audio outputs. This line level output is ideal for use with AtlasIED AA, PA, DPA, or CP series amplifiers to power large zones of traditional 25V, 70.7V, or 100V AtlasIED loudspeakers or paging horn loudspeakers.

It also includes 2 GPI inputs, 1 GPI output and microphone input for talk back or listen applications. The GPI/O ports offer triggering for critical alert notification or unified connectivity of third party systems.

Under Title II of the ADA, all state and local governments are required to take steps and ensure effective communication to people with disabilities. The AtlasIED IPDC-DSE+ dual sided display with integrated flasher provides effective communication for all individuals

System	
Type	IP Dual Sided LED Display with Flasher
Operation Mode	Self Powered
Indicators	Network Status (On Back)
General Purpose Interface	Two Trigger Inputs / One Relay Output (2A @ 30 VDC)
Audio Inputs and Outputs	
Input: Analog Audio Type(s)	One Unbalanced Analog
Input: Analog Connectivity	Secured Screw Terminal Block
Input: Network Audio Type(s)	G.711 U-Law/A-Law and G.722 Capable
Input: Network Connectivity	RJ-45 Female
Output: Analog Audio Type(s)	One Unbalanced Line Level
Output: Analog Connectivity	Secured Screw Terminal Block
Output: Digital Audio Type(s)	N/A
Output: Digital Connectivity	N/A
Output: Loudspeaker Level	8Ω, 9W (802.3AF), 15W (802.3AT)
Output: Loudspeaker Connectivity	Two x Secured Screw Terminal Block
Display	
Display Type	LED Display
Display Color Range	Red Only
Display Lumens	162lux
LED's Per Character	16 x 64
Character Max Height	2.125" (54mm)
Viewable Dimensions (H x W)	10.125" (257mm) x 2.5625" (65mm)
Control	Time via NTP - Text Controlled via Software
Flasher	
Flasher Type	LED
Flash Color Range	RGB
Flasher Lumens	310lux (Red), 348lux (Green), 352lux (Blue)
Flash Rate(s)	Multi Speed Capable
Viewable Dimensions (HxW)	.5" (12mm) x 3.5" (89mm)
Control	Controlled via Software
Software	
SA-Announce Compatible Versions	9.0.18+
InformaCast Compatible Version	8.0+
GCK Compatible Version	3.0+
Network	
Ethernet	IEEE802.3 10/100Base-T
PoE	IEEE802.3AF/AT Compliant
VLAN	IEEE802.1q Tagging
Protocols	
IP Addressing	DHCP/Static
Auto-Provisioning	HTTP/TFTP
Auto-Registration	HTTP/Service Location Protocol/IEDNet
Time	NTP
Telephony	SIP

©2016 Atlas Sound L.P. and Innovative Electronic Designs, LLC. All Rights Reserved. Atlas Sound is a trademark of Atlas Sound L.P. IED is a registered trademark of Innovative Electronic Designs, LLC. All other trademarks are the property of their respective owners. All specs are subject to change without notice. ATS005421 RevA 3/16

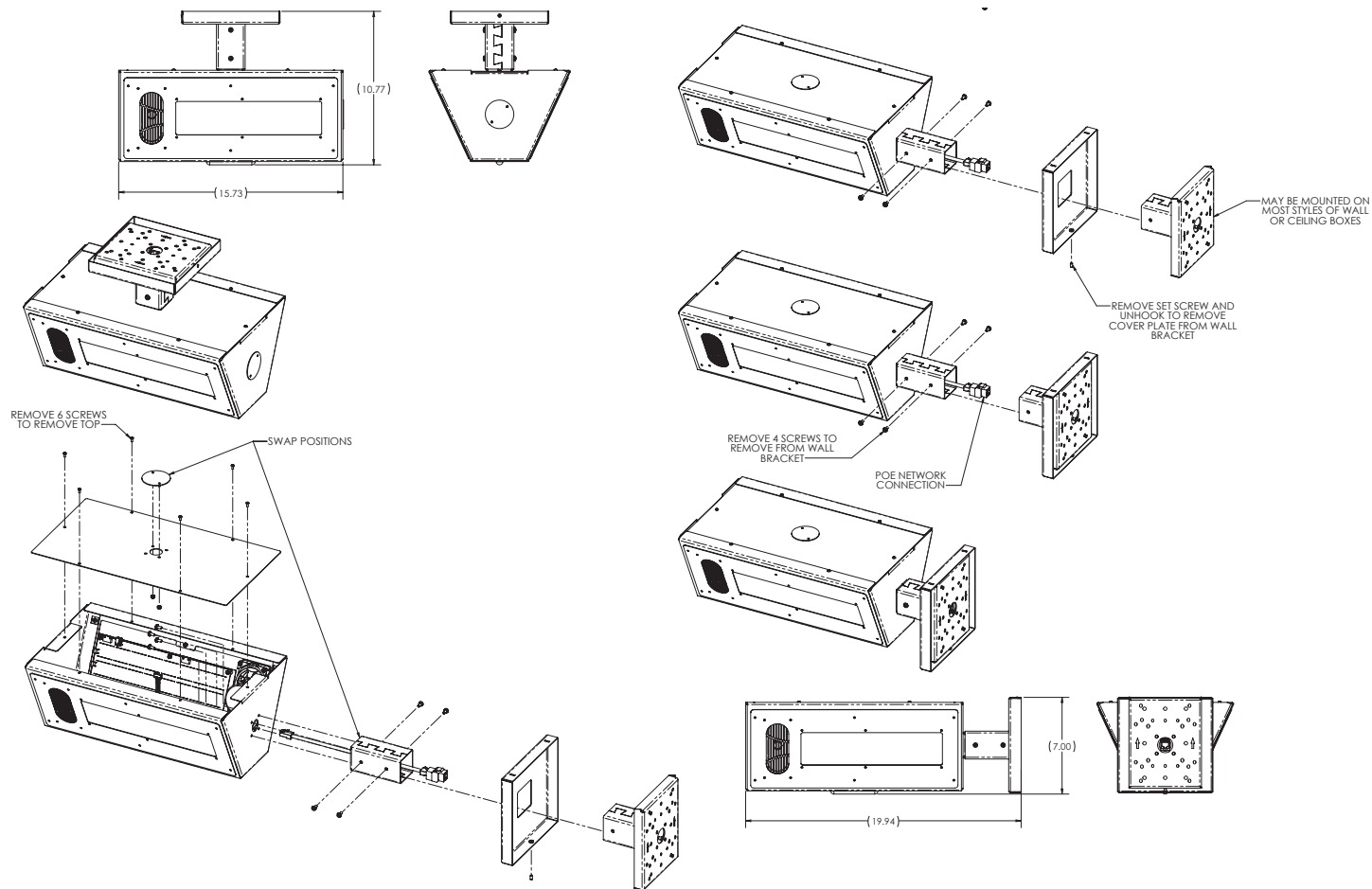
Enclosure	
Color	Black with Brushed Silver
Mounting/Rigging Provisions	Mounting Plate Provided with Various Hole Patterns
Safety Agency Ratings	ETL Listed to Comply with UL-60950-1, and CAN/CSA-C22.2 No. 60950-1
Ingress Protection	IP-XX (Not provided)
Logo	Blue and Removable
Product Dimensions (HxWxD)	9.9" (251mm) x 19.94 (506.5mm) x 7" (177mm)
Shipping Dimensions (HxWxD)	10.6" (269mm) x 25.4" (645mm) x 12.8" (325mm)
Net Weight - lbs	5 lbs (2.27kg)
Shipping Weight - lbs	13 lbs (5.89 kg)
Warranty Coverage	
Warranty Period	1 Year

NOTES:

1. Sensitivity: Half space pink noise measurement at 6 ft (1.8 m) at 20% power; extrapolated to 1 meter and an input of 2.83 volts RMS.
2. Watts: All wattage figures are calculated using the rated nominal impedance.
3. Frequency response and sensitivity are half-space measurements.

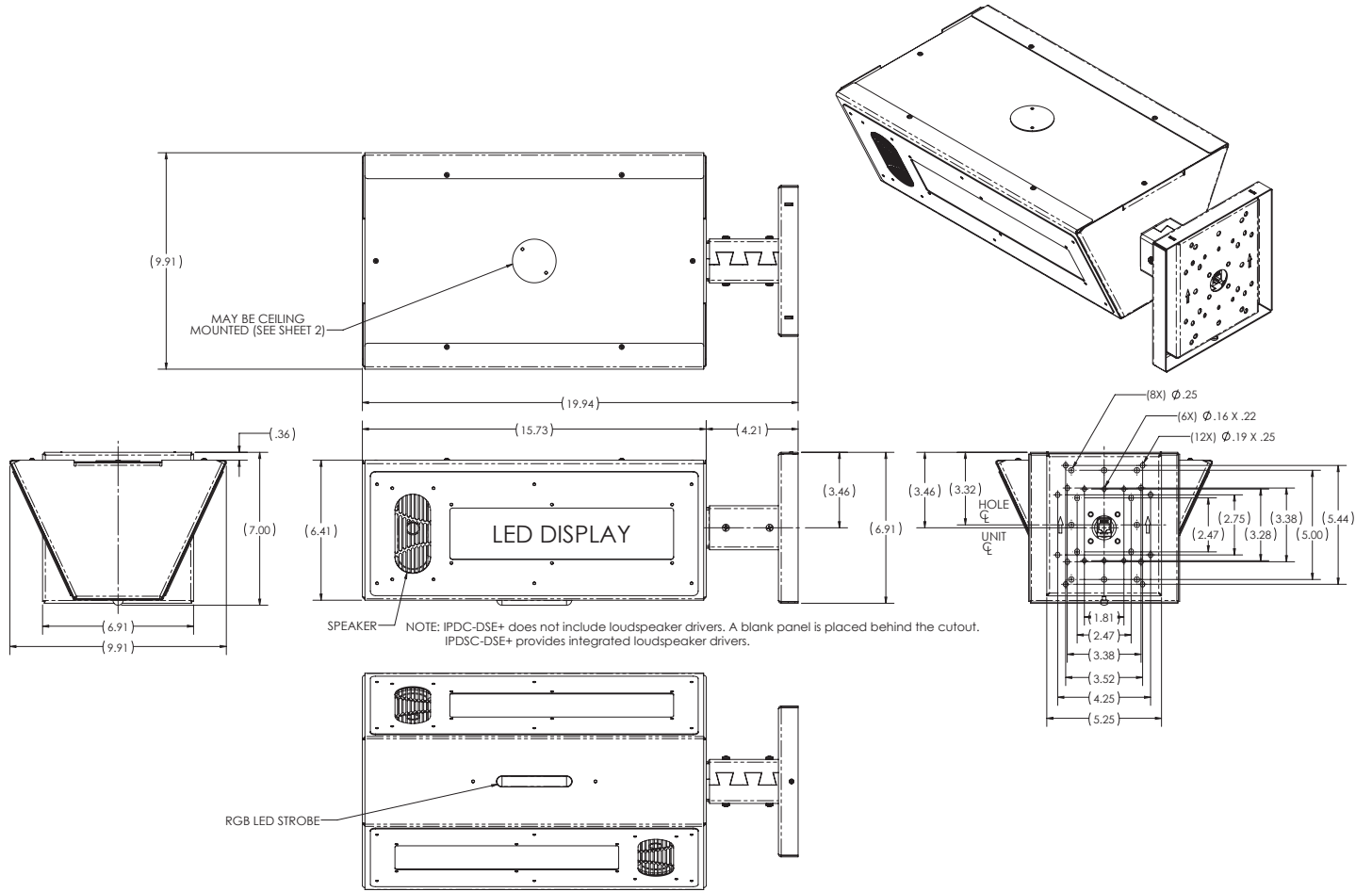
©2016 Atlas Sound L.P. and Innovative Electronic Designs, LLC. All Rights Reserved. Atlas Sound is a trademark of Atlas Sound L.P. IED is a registered trademark of Innovative Electronic Designs, LLC. All other trademarks are the property of their respective owners. All specs are subject to change without notice. AT5005421 RevA 3/16

Mounting Options



©2016 Atlas Sound L.P. and Innovative Electronic Designs, LLC. All Rights Reserved. Atlas Sound is a trademark of Atlas Sound L.P. IED is a registered trademark of Innovative Electronic Designs, LLC. All other trademarks are the property of their respective owners. All specs are subject to change without notice. AT5005421 RevA 3/16

Dimensions



©2016 Atlas Sound L.P. and Innovative Electronic Designs, LLC. All Rights Reserved. Atlas Sound is a trademark of Atlas Sound L.P. IED is a registered trademark of Innovative Electronic Designs, LLC. All other trademarks are the property of their respective owners. All specs are subject to change without notice. AT5005421 RevA 3/16

Architect and Engineer Specifications

Model IPDC-DSE+ shall consist of a factory assembled double sided wall or ceiling mount enclosure containing dual 16 H x 64 W LED resolution displays that can display time as well as scrolling text. The model shall also feature a LED flasher located below the display. It is used to alert room occupants of an incoming scrolling text message in accordance with ADA compliance.

The unit shall incorporate a LED display with viewable dimensions of 10.125" (2577mm) wide x 2.56" (65mm) high. The LEDs per character shall be 16 high x 64 wide and character max height of 2.125" (54mm). It shall produce the color red and be controlled by Time via NTP. The display shall produce 162 lux brightness and display text and/or time.

The unit shall incorporate a LED flasher with viewable dimensions of .5" (12mm) height x 3.5" (89mm) wide. The LEDs shall be able to produce RGB color spectrum with brightness of 310-lux (Red), 348-lux (Green), 352-lux (Blue). It shall have the capability of multi-speed flash rate and software controllable.

All control functionality shall be determined via software. The metal loudspeaker baffle overall dimensions shall be 9.9" (251mm) x 19.94" (506.5mm) x 7" (177mm) HxWxD.