

IHVP+

PoE+ Vandal and Weather Resistant Wall Mount IP Loudspeaker



Features

Network Features

- Dynamic or Static IP Address
- IEEE802.3 10/100Base-T Ethernet
- IEEE 802.1q Tagging
- IEEE 802.11AT Compliant

VoIP Standard Audio

- G.711 u-law/a-law (64 kbit/s)
- G.729 Wideband Audio (64 kbit/s)

Auto Provisioning

- DHCP Option 66, 150, or TFTP Server
- DHCP Option 72 for HTTP Server

Auto Registration

- SLP for InformaCast
- DHCP Option 72 for SA-Announce or GCK

Static Configuration

- HTTP GUI for Static Configuration
- Cisco SRST

Audio Features

- Integrated Amplifier
 - 15-Watt Total Power
 - Primary Speaker Output 8Ω
- Aux Audio Line-In Unbalanced (2.8Vpp 10K)
- Aux Audio Line-Out Unbalanced (2.8Vpp 10K)

Additional Features

- 2 General Purpose Inputs
- 1 General Purpose Output (2A @ 30 VDC)
- Phone/Night Loud Ringer
- External Power Supply Option
- Highly Efficient Horn Loudspeaker Provides Greater Output and Coverage

General Description

AtlasIED IHVP+ is a vandal proof, weather resistant, wall mount IP loudspeaker with high-output horn. It leverages VoIP communication to extend tele-presence with enhanced audio for environments where network-wide communication is desired and high-output loudspeakers are required to overcome high ambient noise and/or large spaces. The loudspeaker grills are vandal and weather resistant. Manufactured of cast aluminum alloy, the grill provides security and durability in indoor and outdoor applications.

Applications

AtlasIED IHVP+ registers as a communication endpoint directly within InformaCast, GCK, and SA-Announce advanced notification applications, supporting audio broadcast to enhance physical security while improving day-to-day communications through advanced alerting, bell schedules, pre-recorded & scheduled announcements, while leveraging the WAN or LAN network architecture.

When used within a Cisco environment, the IHVP+ loudspeakers can join Cisco's Unified Survivable Remote Site Telephony (SRST) as a supported device. Cisco's SRST provides remote location call-processing redundancy when access to the centralized Cisco Unified Communications Manager is interrupted because of a WAN outage. The ability of LAN communication between any combination of phones and loudspeakers is particularly critical during an emergency (which may be the actual cause of the WAN outage).

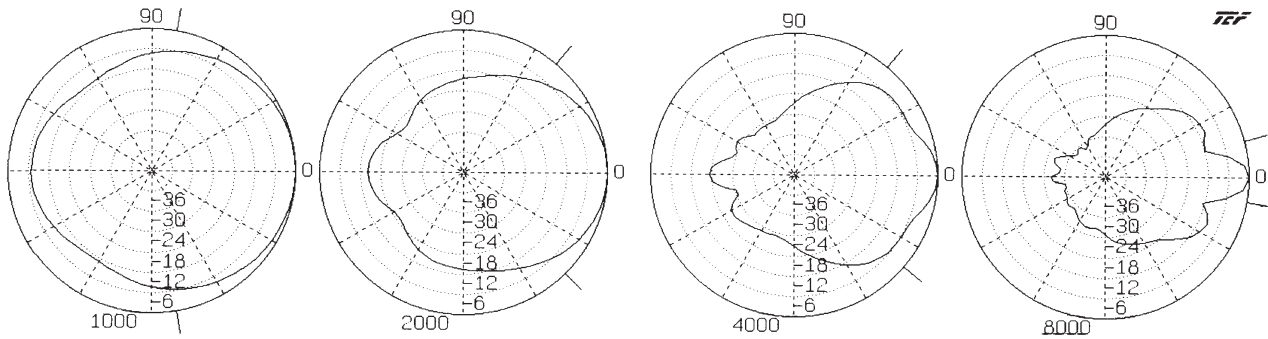
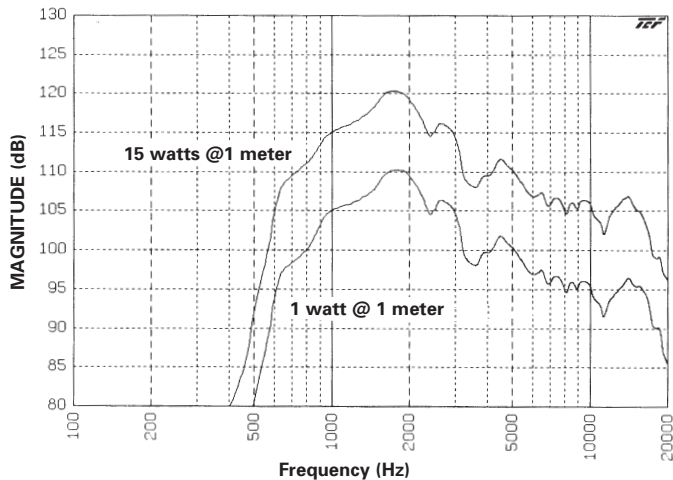
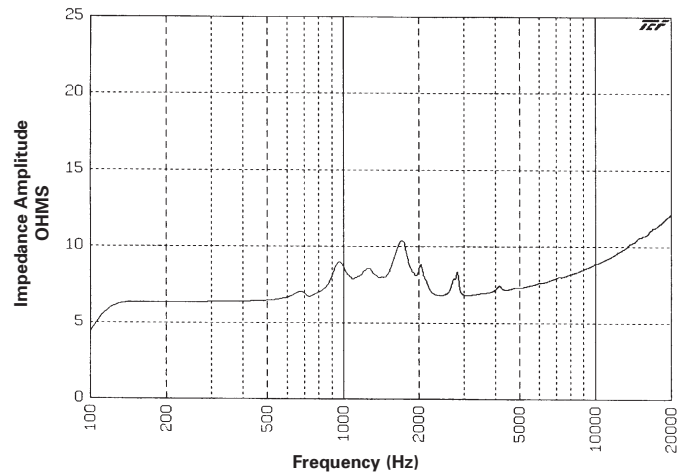
Where 3rd party notification applications are not required, the vandal proof and weather resistant IP loudspeaker can register as SIP devices directly to a SIP server or VoIP Communications Manager for critical alerts and public address applications.

| System | |
|----------------------------------|---|
| Type | PoE+ Vandal and Weather Resistant Wall Mount IP Loudspeaker |
| Operation Mode | Self Powered |
| Indicators | Network Status (On Back) |
| Operating Range (-10db) | 600Hz - 14kHz |
| Frequency Response (+/- 5dB) | 700Hz - 5kHz |
| Vertical Coverage | 95° 800Hz - 4kHz |
| Horizontal Coverage | 95° 800Hz - 4kHz |
| Directivity Factor (Q) | 7.3 @ 2 kHz |
| Max SPL at 1 m (passive) | 114 dB SPL Continuous / 120 dB SPL Peak |
| Recommended Signal Processing | Built-In Processing |
| General Purpose Interface | Two Trigger Inputs / One Relay Output (2A @ 30 VDC) |
| Transducers | |
| Transducer Qty and Size | 3.8" |
| Voice Coil Size | 1.25" |
| Cone Material | Double Entrant Compression Driver |
| Driver Protection | Built-In Limiter |
| Amplification | |
| Type | Single-Channel Class D Topology |
| AC Power Input | PoE or PoE+ and External 24VDC |
| Power Rating (RMS) | 15 Watts Max (802.3AT) |
| THD | <.02% |
| Cooling | Passive/Convection |
| Audio Inputs and Outputs | |
| Input: Analog Audio Type(s) | One Unbalanced Analog |
| Input: Analog Connectivity | Secured Screw Terminal Block |
| Input: Network Audio Type(s) | G.711 U-Law/A-Law and G.722 Capable |
| Input: Network Connectivity | RJ-45 Female |
| Output: Analog Audio Type(s) | One Unbalance Line Level |
| Output: Analog Connectivity | Secured Screw Terminal Block |
| Output: Digital Audio Type(s) | N/A |
| Output: Digital Connectivity | N/A |
| Output: Loudspeaker Level | 8Ω, 9W (802.3AF), 15W (802.3AT) |
| Output: Loudspeaker Connectivity | Two x Secured Screw Terminal Block |
| Software | |
| SA-Announce Compatible Versions | 9.0.18+ |
| InformaCast Compatible Version | 8.0+ |
| GCK Compatible Version | 3.0+ |
| Network | |
| Ethernet | IEEE802.3 10/100Base-T |
| POE | IEEE802.3AF/AT Compliant |
| VLAN | IEEE802.1q Tagging |
| Protocols | |
| IP Addressing | DHCP/Static |
| Auto-Provisioning | HTTP/TFTP |
| Auto-Registration | HTTP/Service Location Protocol/IEDNet |
| Time | NTP |
| Telephony | SIP |

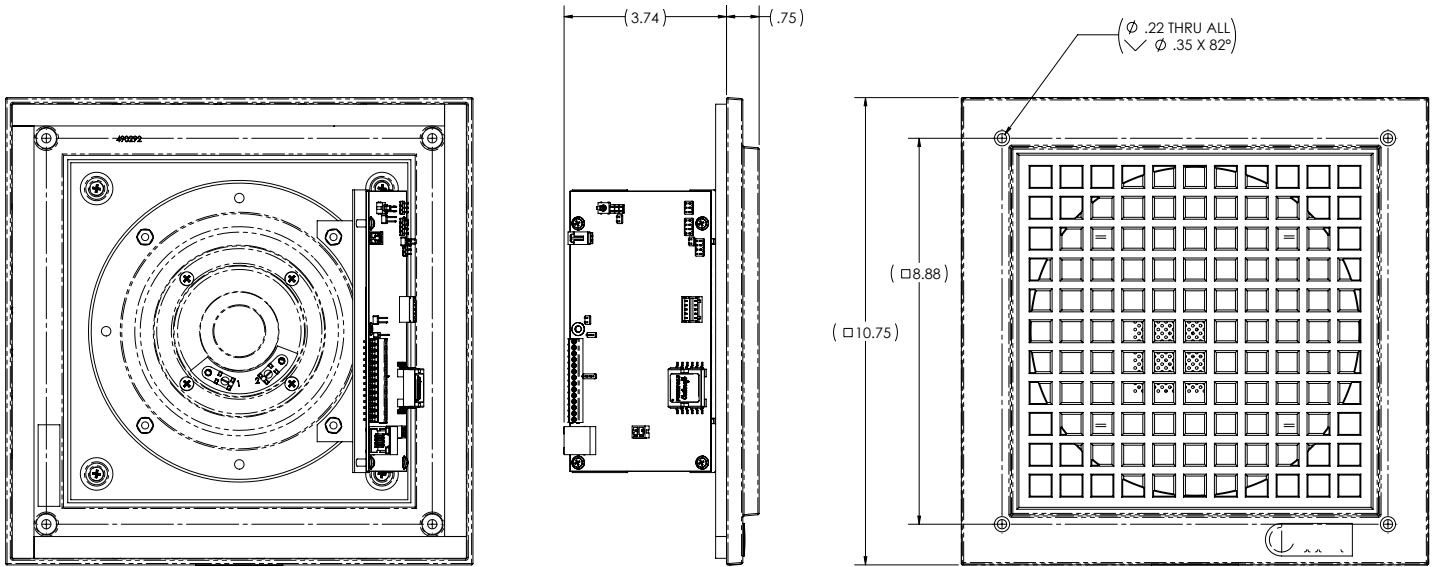
| Enclosure | |
|-----------------------------|---|
| Color | White (RAL 9010) |
| Grille Material | Powder Coated and Perforated Cast Aluminum Alloy |
| Baffle Material | 18-gauge Corrosion-Resistant Zinc Plated Steel |
| Mounting/Rigging Provisions | Mounting Enclosure is Not Included (See Optional Enclosure) |
| Safety Agency Ratings | ETL Listed to Comply with UL-60950-1, and CAN/CSA-C22.2 No. 60950-1 |
| Ingress Protection | IP-45 |
| Logo | Blue and Removable |
| Product Dimensions (HxWxD) | 10.75" (273mm) x 10.75" (273mm) x 4.5" (114mm) |
| Shipping Dimensions (HxWxD) | 11.75" (299mm) x 11.75" (299mm) x 7" (178mm) |
| Net Weight - lbs | 5.11lbs (2.32kg) |
| Shipping Weight - lbs | 6.54lbs (3kg) |
| Warranty Coverage | |
| Warranty Period | 1 Year |

NOTES:

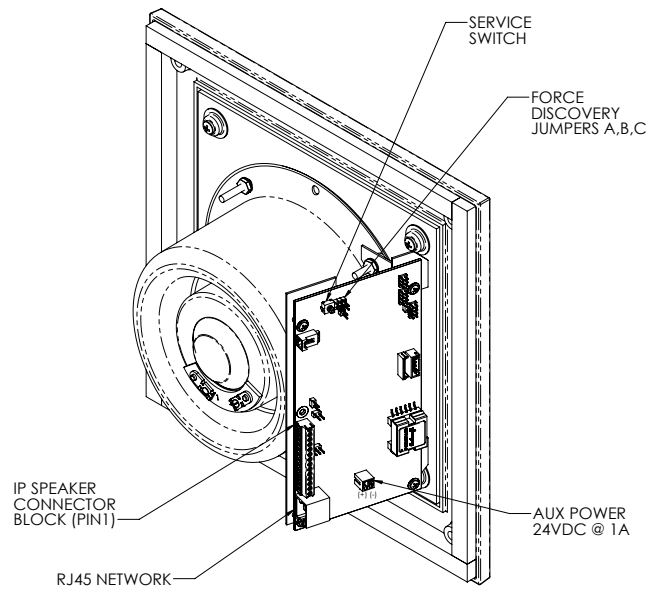
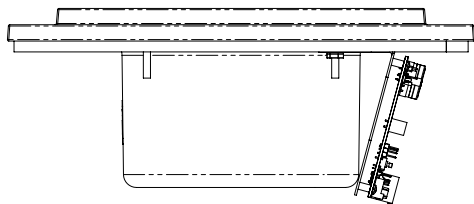
1. Sensitivity: Half space pink noise measurement at 6 ft (1.8 m) at 20% power; extrapolated to 1 meter and an input of 2.83 volts RMS.
2. Watts: All wattage figures are calculated using the rated nominal impedance.
3. Frequency response and sensitivity are half-space measurements.

Polars Are Normalized To Zero On Axis

Frequency Response

Impedance


Dimensional Drawings



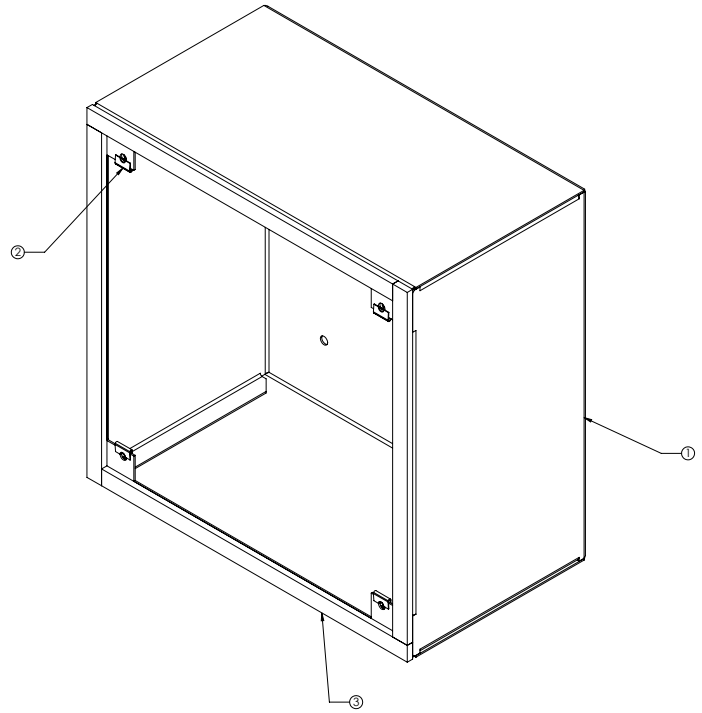
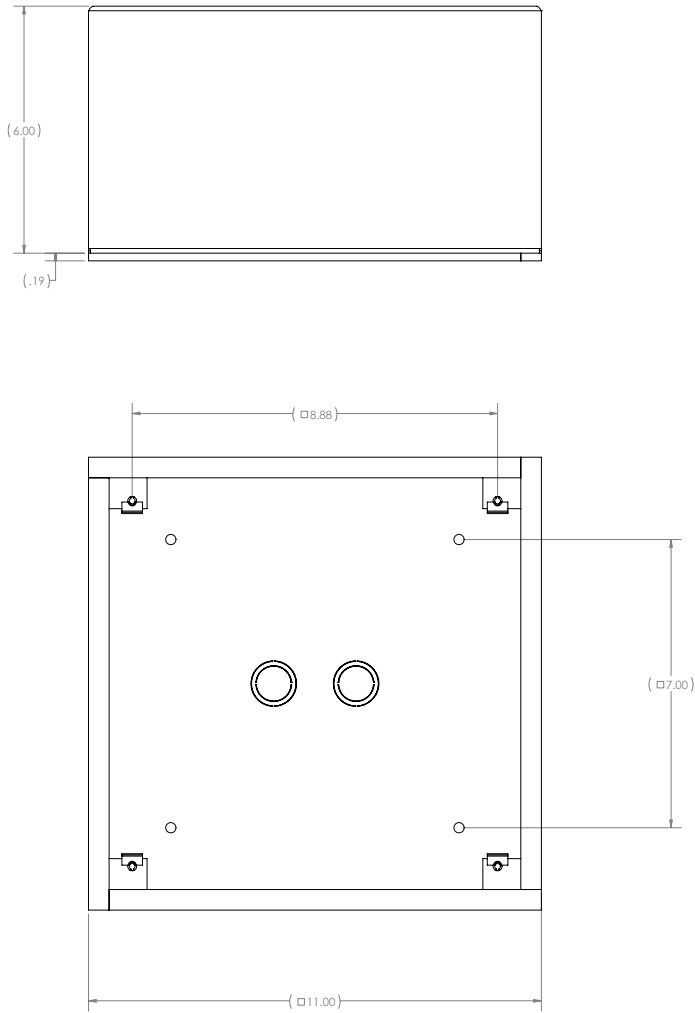
| IP SPEAKER CONNECTOR BLOCK | |
|----------------------------|---------------------------|
| PIN | FUNCTION |
| 1 | REMOTE BUTTON / GPI 2 (+) |
| 2 | REMOTE BUTTON / GPI 2 (-) |
| 3 | REMOTE BUTTON / GPI 1 (+) |
| 4 | REMOTE BUTTON / GPI 1 (-) |
| 5 | RELAY (-) |
| 6 | RELAY - NORMALLY OPEN (+) |
| 7 | LINE-IN (-) |
| 8 | LINE-IN (+) |
| 9 | LINE-OUT (-) |
| 10 | LINE-OUT (+) |
| 11 | PRIMARY SPEAKER (-) |
| 12 | PRIMARY SPEAKER (+) |
| 13 | SECONDARY SPEAKER (-) |
| 14 | SECONDARY SPEAKER (+) |



©2016 Atlas Sound L.P. and Innovative Electronic Designs, LLC. All Rights Reserved. Atlas Sound is a trademark of Atlas Sound L.P. IED is a registered trademark of Innovative Electronic Designs, LLC. All other trademarks are the property of their respective owners. All specs are subject to change without notice. ATS005312 RevA 2/16

Optional Accessories

SEST-IH

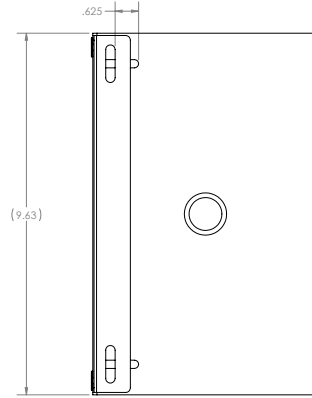
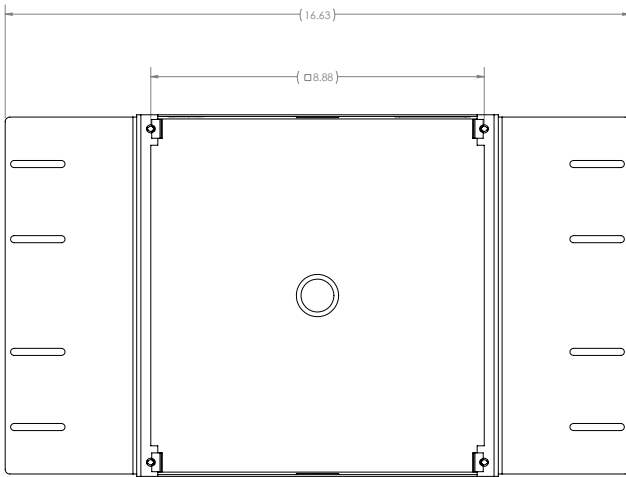
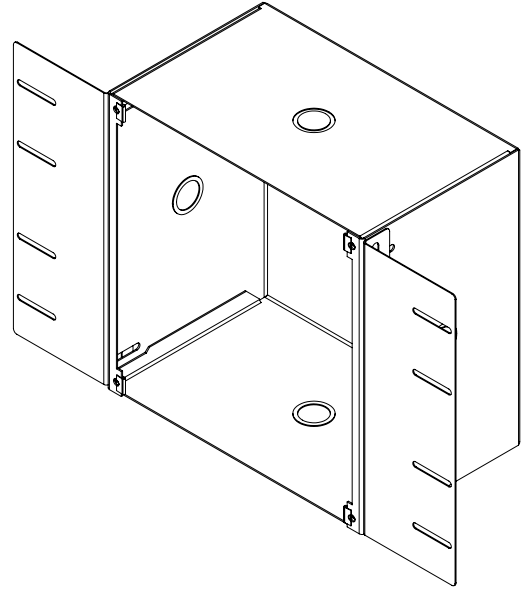
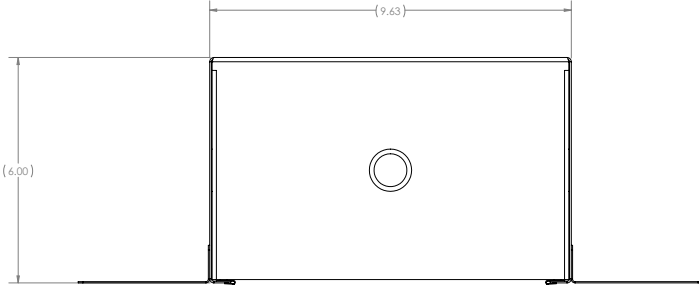


| BILL OF MATERIALS | | | | |
|-------------------|----------------|-----|-----|-----------------------------|
| ITEM NO. | PART NUMBER | REV | QTY | DESCRIPTION |
| 1 | 491866 | B | 1 | ENCL WRAP 1618ES-R6 |
| 2 | 114893 | F | 4 | NUT, 8-32 UNF/1.58 |
| 3 | 491827 (10.5") | | 4 | TAPE, POLY FOAM WHT 3"18X12 |
| 4 | 490919 | | 1 | LABEL, 1X1 MADE IN USA |

©2016 Atlas Sound L.P. and Innovative Electronic Designs, LLC. All Rights Reserved. Atlas Sound is a trademark of Atlas Sound L.P. IED is a registered trademark of Innovative Electronic Designs, LLC. All other trademarks are the property of their respective owners. All specs are subject to change without notice. ATS005312 RevA 2/16

Optional Accessories

FEST-IH



©2016 Atlas Sound L.P. and Innovative Electronic Designs, LLC. All Rights Reserved. Atlas Sound is a trademark of Atlas Sound L.P. IED is a registered trademark of Innovative Electronic Designs, LLC. All other trademarks are the property of their respective owners. All specs are subject to change without notice. ATS005312 RevA 2/16

Architect and Engineer Specifications

The unit shall be AtlasIED model IHVP+. The loudspeaker system shall include factory assembled horn loudspeaker, IP addressable PCB amplifier/control, and metal baffle. The metal baffle shall be constructed from cast aluminum alloy and able to protect from vandal tampering or impact. The loudspeaker shall be a 3.8" high-output compression driver. The impedance shall be 8 ohm and a voice coil diameter of 1.25" (31.75mm). The loudspeaker dispersion shall be 95° (800Hz - 4kHz) and frequency response of 700Hz –5kHz (±5dB). The max peak output at 1W/1m shall be 120dB SPL.

The amplifier/control board shall be capable of producing 15-watts RMS when using an IEEE 802.3at compatible PoE+ switch or 24VDC local power supply and 9-watts RMS when used with an IEEE 802.3af compliant PoE switch. Interconnect shall be via female RJ-45 connector mounted to the PCB.

All control functionality shall be determined via software. The metal loudspeaker baffle overall dimensions shall be 10.75" (273.1mm) x 10.75" (273.1mm) x 4.49" (114mm) HxWxD. Finish shall be neutral white electrostatic powder coat.

Optional enclosures shall include:

- | | |
|---------|--|
| SEST-IH | surface mount enclosure - neutral white finish |
| FEST-IH | flush mount enclosure - neutral white finish |