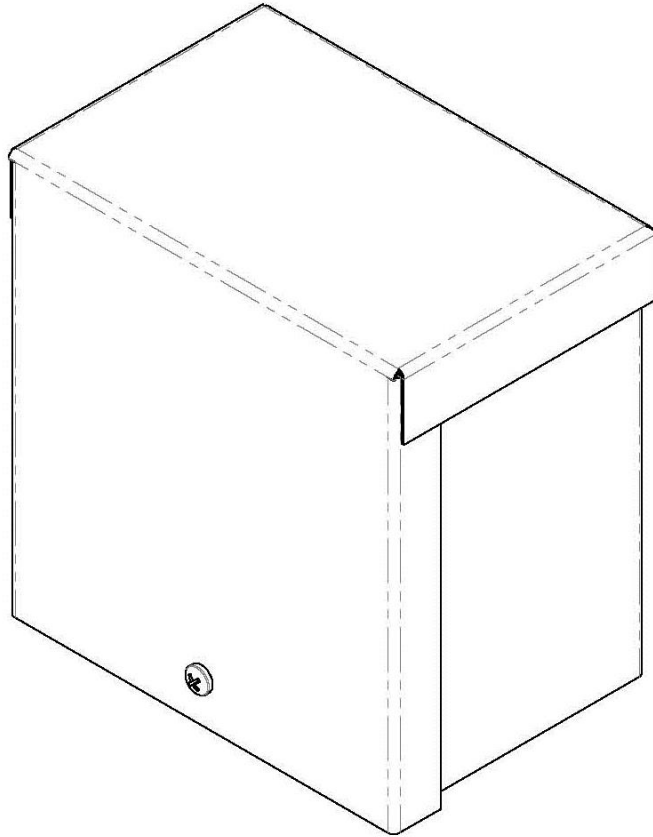


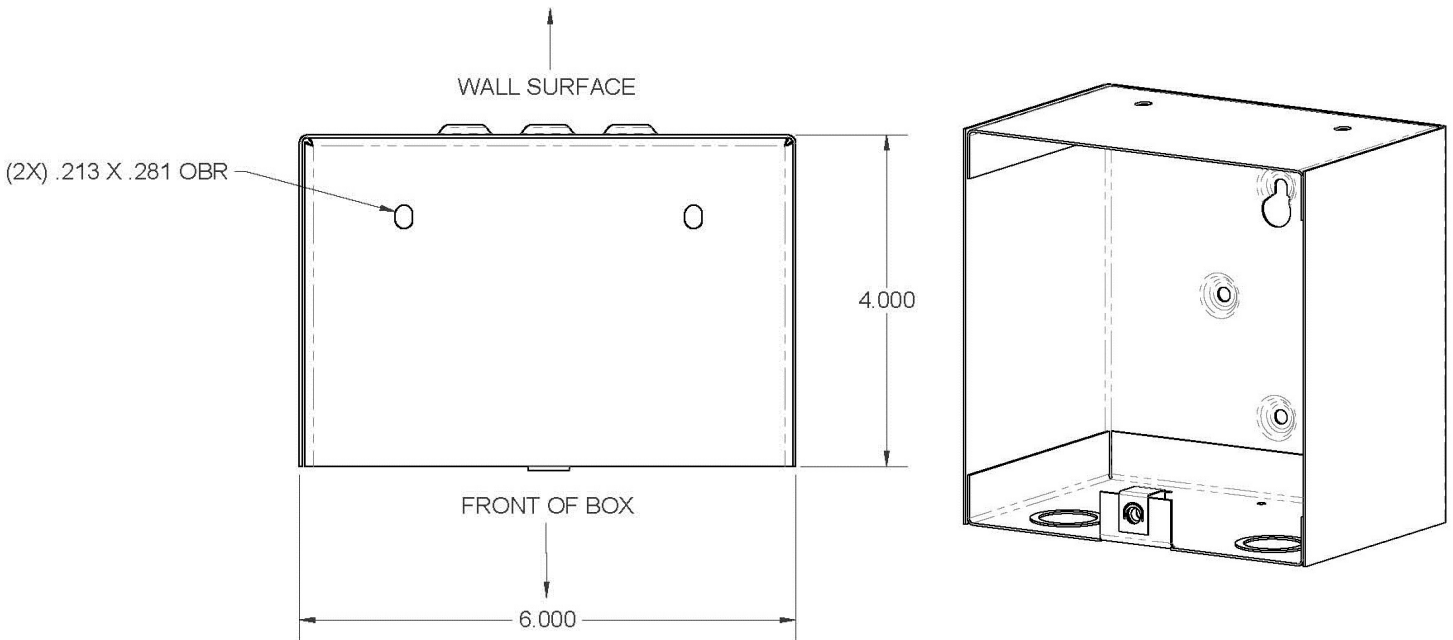
HT-ENC

Transformer Enclosure

Designed and Manufactured in the USA



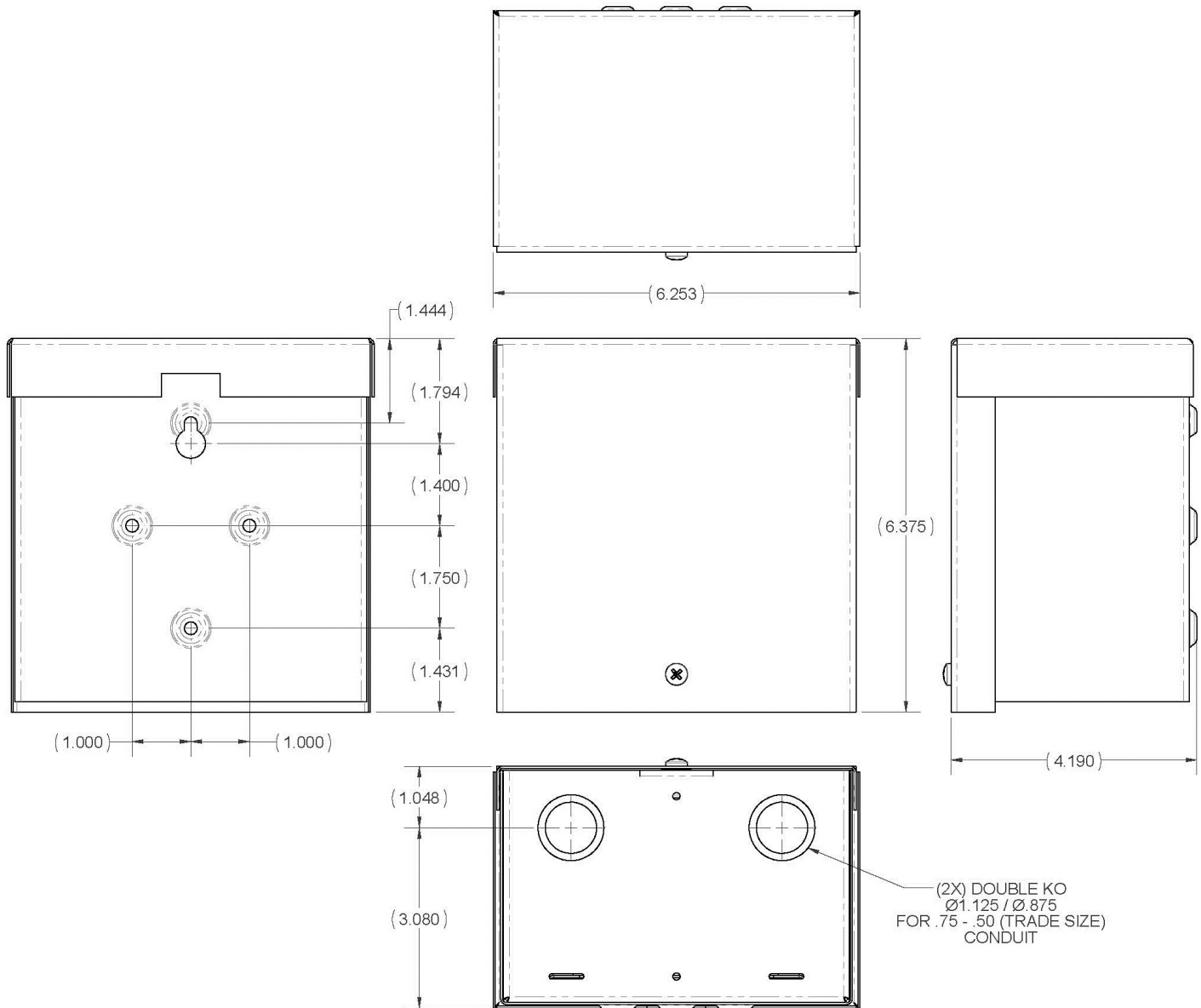
HT-ENC BACK-BOX



©2014 Atlas Sound L.P. All rights reserved. Atlas Sound is a trademark of Atlas Sound L.P. All other trademarks are the property of their respective owners. All specs are subject to change without notice. AT5005079 PN 493702 Rev A 12/14

HT-ENC Transformer Enclosure

HT-ENC DIMENSIONS



KEY FEATURES:

1. Compact design allows for convenient mounting and easy access.
2. Enclosure accommodates most transformers.
3. Knock outs are provided at bottom of back box for wiring and conduit access.
4. At rear of back box are 4 mounting points.
5. Unit is designed and constructed in our Ennis, TX facility using durable 20-gauge CRS that is finished in a gray- electrostatic powder coat.
6. Cabinet comes with a supply of 3 10-32 Cage Nuts, 7 10-32 Screws, 4 10-32 Hex Nuts, 2 8-32 Screws and 2 8-32 Hex Nuts.

©2014 Atlas Sound L.P. All rights reserved. Atlas Sound is a trademark of Atlas Sound L.P. All other trademarks are the property of their respective owners. All specs are subject to change without notice. ATS005079 PN 493702 Rev A 12/14

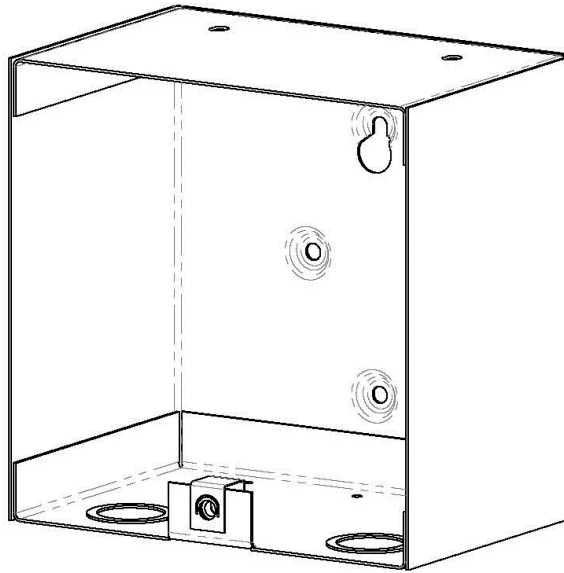
HT-ENC

Transformer Enclosure

REQUIRED TOOLING:

1. Razor Knife
2. #2 Philips Cross-Drive Screw Driver (Manual or Auto)
3. $\frac{3}{8}$ " Hex Socket Driver

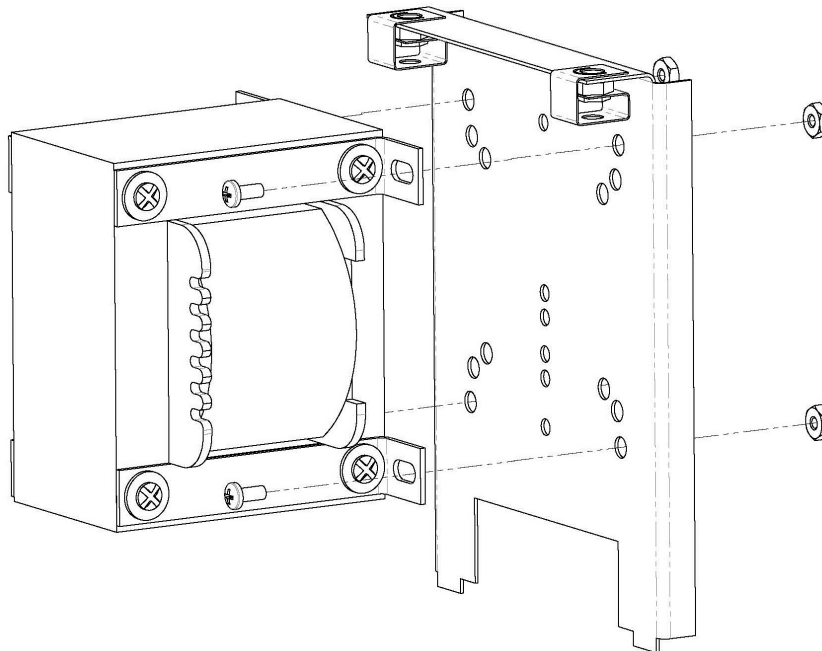
MOUNTING INSTRUCTIONS:



1. Choose your mounting location that complies with all national, local building, fire and electrical codes.

NOTE: SEAL BACK OF BOX FROM MOISTURE.

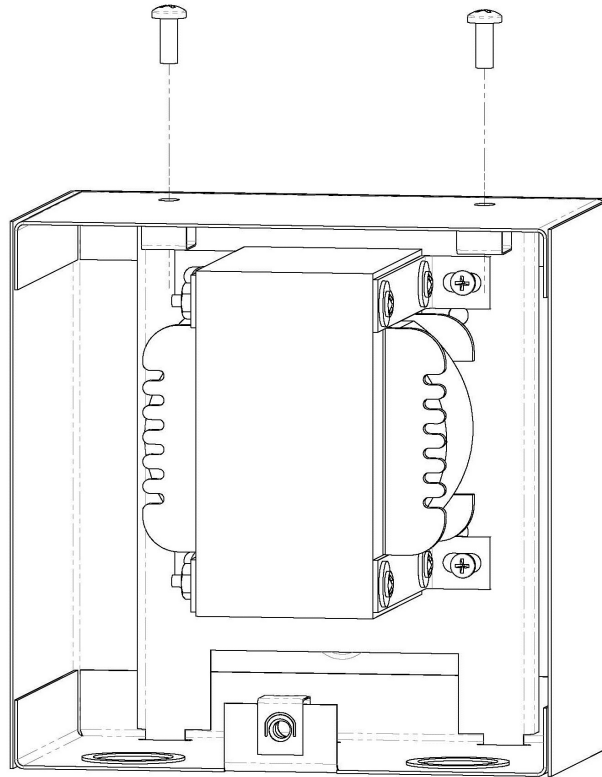
2. Attach Transformer to Bracket using corresponding holes and included hardware.



HT-ENC

Transformer Enclosure

3. Place Transformer and Bracket into Back Box, allowing notches to fit into the slots located at bottom of Back Box. Then aligning holes at top of Back Box for Screw placement.



4. Place Chassis Top on to Back Box to enclose Transformer and secure in place with included screw.

