

WMA-HR Series

Wall Mount Half Width Rack Equipment Cabinets



©2013 Atlas Sound L.P. All rights reserved. Atlas Sound is a trademark of Atlas Sound L.P. All other trademarks are the property of their respective owners. All specs are subject to change without notice. P/N 493857 ATSC04701 RevA 8/13

WMA-HR Series

Wall Mount Half Width Rack Equipment Cabinets

Key Features

- Available in 12RU and 16RU models.
- Unique swing-down design solution for challenging installation scenarios that enables an integrator and/or contractor to access the back for easy connection and wire management within very tight spaces.
- Back Box and Main Cabinet are packaged in separate and re-usable cartons. This allows an integrator and/or contractor to ship the Back Box for immediate installation at the construction site. During that time, the Main Cabinet can be loaded with equipment and re-shipped at a later date.
- Includes front, adjustable 12-gauge Steel Rack Rails. Rails are tapped at 10-32 and finished with black Zinc plating for superior corrosion protection.
- Left and Right Rails are conveniently marked with the RU number elevations (1st RU on the bottom of the cabinet).
- Back Box and Main Cabinet are equipped with provisions for wire management.
- Heavy-duty handles are provided to control the heaviest cabinet load during the swing-down access maneuver.
- The swing-down mechanics reduce the amount of Main Cabinet weight experienced by the integrator and/or contractor.
- Innovative custom lockable slam-latch is provided for easy and secure fastening of the Main Cabinet to the Back-Box.
- Top and bottom of the main cabinet includes removable SPR3-HR solid panels. These panels may be replaced by an optional EFP3-HR fan panel for further ventilation.
- Perforated vents are located on both sides, top and bottom front surfaces of the Main Cabinet. They provide ventilation for rack-mounted electronics.
- On each cabinet side, there are 4 sets of mount points for industry-standard 119mm fans (105mm mount pattern).
- Unit is designed and constructed in our Ennis, TX facility using durable 16-gauge CRS that is finished in a black electrostatic powder coat. Key structural components are constructed of an even more durable 14-gauge CRS.
- Cabinet comes with 100 black 10-32 Rack Screws to be used for equipment mounting.
- Cabinet is installation-ready for the optional M-1A Cabinet Mount Infrared Repeater System.
- Cabinet is installation-ready for optional "-HR" series cabinet doors such as the MPFD12-HR and MPFD16-HR.
- Atlas Sound offers a complete line of "-HR" series CB (Economy), SPR (Solid) and PPR (Perforated) filler panels.
- Atlas Sound offers a SH1-10-HR Shelf solution for dealing with challenging non-rackable gear.
- The optional VRK-HR Adapter is available for mounting up to 5RU of 19" Width Rack Equipment vertically within 12RU space.

Required Tools

- Razor Knife
- Pliers
- #2 Philips Cross-Drive Screwdriver (Manual or Auto)
- 3/8" Hex Socket Driver
- Torque Wrench (optional)
- Tape Measure (optional)

WMA-HR Series

Wall Mount Half Width Rack Equipment Cabinets

Cabinet Package Removal

1. Carefully cut the shrink wrap, tape and/or shipping bands holding the Back Box carton and Main Cabinet carton together. Use pliers to remove any staples.
2. The smaller carton is the Back Box. If required, this carton may be shipped to the construction site for immediate wall installation.
3. Carefully cut cartons open. Use pliers to remove any staples.
4. Pull all the carton flaps to the sides and turn entire contents over, resting upon the carton opening.
5. Carefully pull the carton off the product.
6. If product is to be repacked for future shipment, note the location of the shipping pads on the product. Remove and save all shipping materials.
7. On the Main Cabinet, carefully cut and remove the hardware bag containing keys and rack rail hardware. Keep for future use.

Cabinet Loading Considerations

1. Determine the amount of forward-space that is required by the rack equipment knobs, connections, switches, etc. Use this value to determine best rail position.
2. If an optional door is to be installed, make sure that no equipment blocks the center slots inside the side panels. These slots capture the door lock cam. Also, be sure the equipment in the top-most and bottom-most rack units do not protrude within $\frac{3}{4}$ of an inch from the main cabinet front surface. The door security flanges occupy this area.
3. If IR remote-controlled equipment and an optional door are to be installed, be sure the door frame does not block the outside IR remote signal. In cases where blockage is unavoidable, an optional M-1A Cabinet Mount Infrared Repeater System may be mounted in place of the Atlas Sound logo plug.
4. Measure and set both rails evenly as to the previously determined measurement. Use a $\frac{3}{8}$ " Hex socket driver to torque the rail bolts to 82 ± 2 in-lbs.
5. When installing the rack equipment, use the convenient rack markings to determine the proper rack elevation.
6. Test fit the equipment by laying the main cabinet on its back; all the rack equipment can be laid into place on the rails and adjusted for proper spacing.
7. Once satisfied with the equipment fit, use a #2 Philips driver to install the included 10-32 rack screws. Additional, matching hardware may be purchased (P/N RSCW100 or P/N RSCW500) as required. Chrome hardware (P/N HK-40) is also available.
8. If additional rear support is required, optional RR Rear Rack Rails may be purchased and utilized within these cabinets.
9. Keep the center of gravity within the Main Cabinet low by installing heavier gear toward the bottom of the cabinet.
10. If any rack equipment has ventilation on the top and bottom of the chassis, do not install gear in the adjacent rack units that may block the ventilation. If equipment is passively cooled, PPR-HR series perforated filler panels may be used to facilitate cool air availability. Otherwise, SPR-HR Series or CB-HR Series filler panels may be your best choice.
11. An optional EFP3-HR 3RU fan panel may be used to help facilitate air movement within the cabinet to improve thermal cooling. **Note:** Fan reliability is best when used to pull cool air. Additional reliability is gained by using an optional CFT-125 thermostat fan controller to reduce fan usage.
12. Additional air movement may be generated by installing industry-standard 119mm fans (105mm mount pattern) over the side panel perforated vents; up to 4 fans per side.
13. Use the tie-point slots located on the rear of the main cabinet to help route and retain all electrical and AV cabling. Be sure to leave adequate tie-points for from-wall electrical and AV service. The back box installer is asked to leave a 4-5 foot service loop. This loop will easily get to any point within the cabinet.

WMA-HR Series

Wall Mount Half Width Rack Equipment Cabinets

Mounting Instructions

1. Choose your mounting location that complies with all national, local building, fire, and electrical codes.
2. Be sure mounting surface can accommodate the weight of the cabinet and gear. **Note:** Since the cabinet width is less than typical architectural 16" center stud spacing, a set of mounting holes has been provided on the centerline of the cabinet.
3. Be sure electrical and AV cabling has at least 4–5 feet of additional cable service loop at the cabinet entry point. **Note:** The conduit entry points have been provided and detailed in this manual.
4. Mount back box to mounting surface. **Note:** The latch slot and back opening denote the top of the cabinet. Use the appropriate hardware type, grade, and size as determined by the installation. The unit will readily accept up to 3/8" hardware.
5. Using the appropriate number of personnel to avoid injury, lift the main cabinet and place on the bottom ledge of the back box to help support the weight of the unit. **WARNING:** Dangerous pinch points exist! Keep all additional personnel and/or body appendages away from pinch points within the swing mechanisms.
6. Swing the shorter support arms into place as shown in Figure 1.

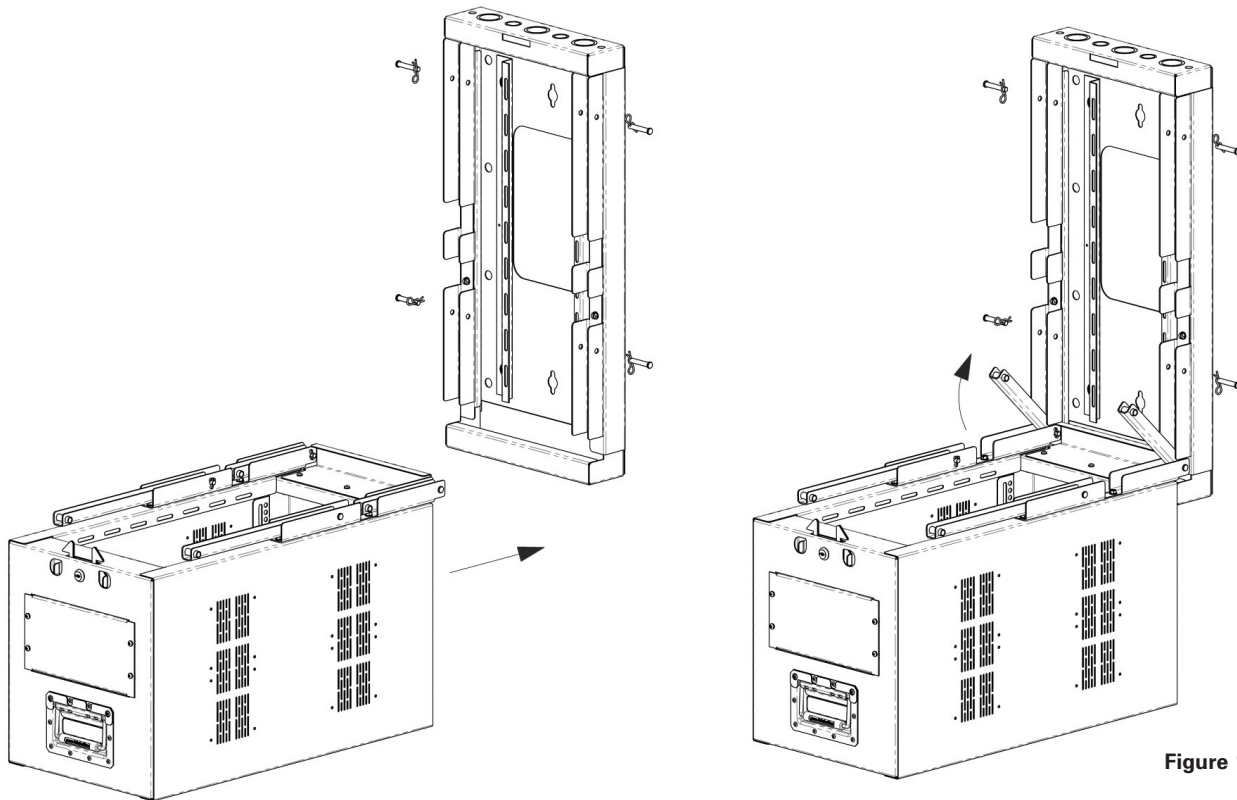
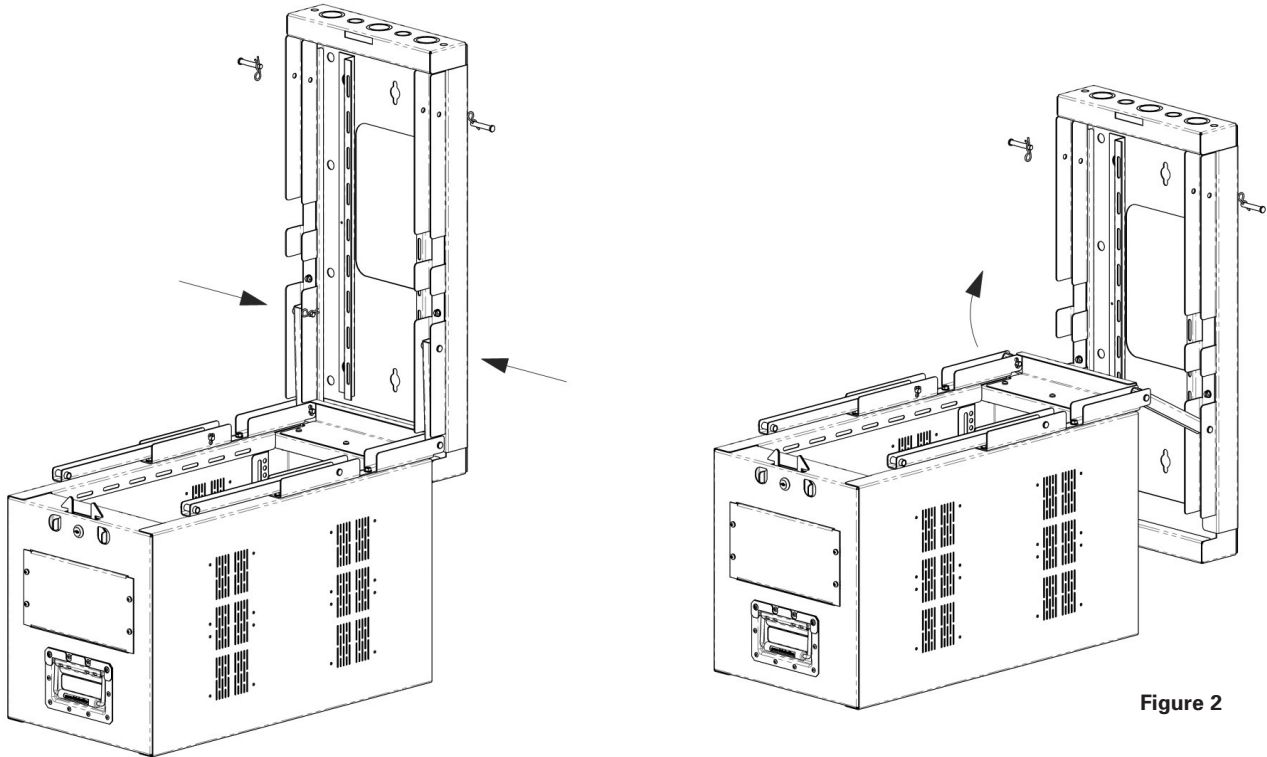


Figure 1

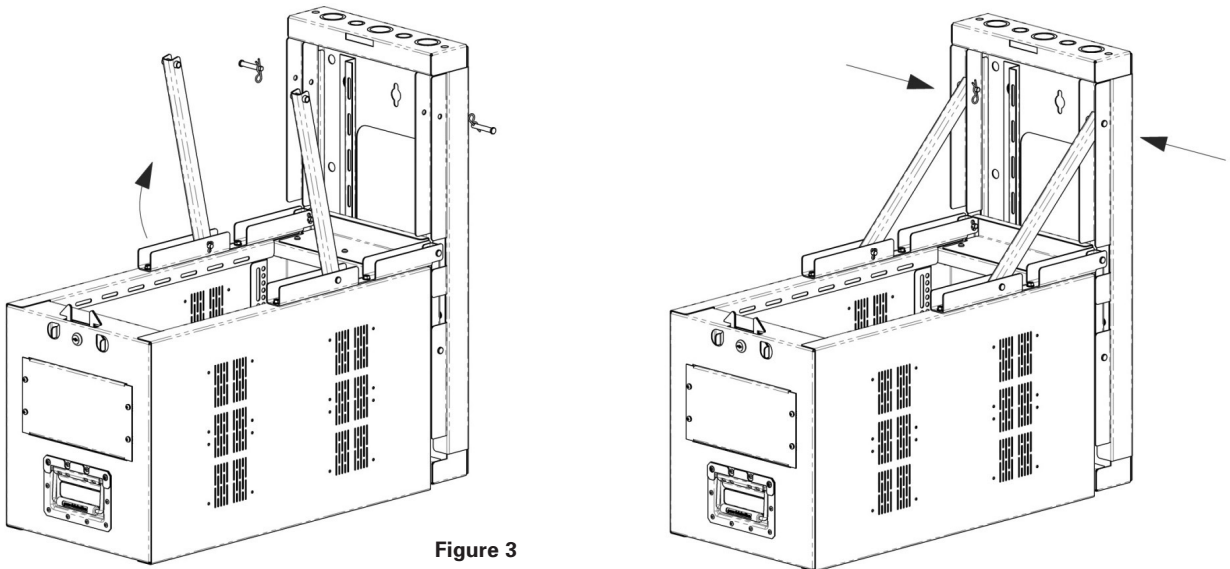
WMA-HR Series

Wall Mount Half Width Rack Equipment Cabinets

7. Use the provided Clevis Pins to fasten the short support arms in place. Be sure to orient the heads of the Clevis Pins towards the outside of the cabinet. The provided Hitch-Pins (Cotter) are installed inside the back box to enhance security.
8. Again, using the appropriate number of personnel to avoid injury, swing the main cabinet into the upper position as shown in Figure 2.


Figure 2

9. Swing the longer set of support arms into place as shown in Figure 3.
10. Again, use the provided Clevis Pins to fasten the longer support arms in place. Be sure to orient the heads of the Clevis Pins towards the outside of the cabinet. The provided Hitch-Pins (Cotter) are installed inside the back box to enhance security.


Figure 3

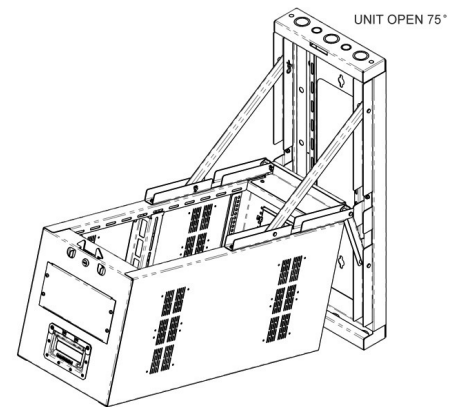
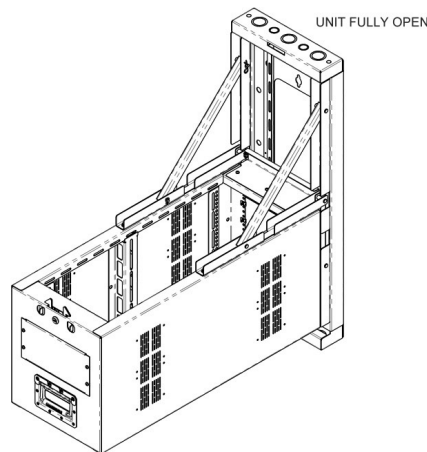
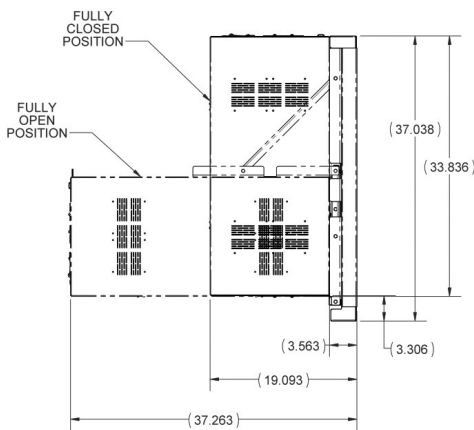
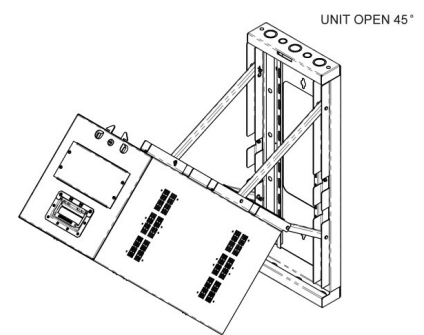
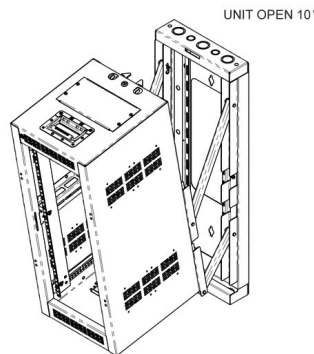
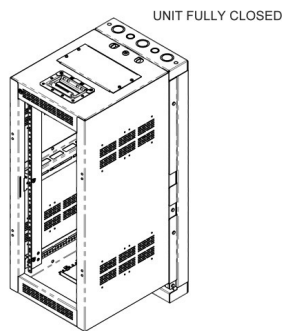
11. Use the tie-point slots located on the rear of the main cabinet and the back box to route and retain all electrical and AV cabling service loop from entering any pinch points within the swing mechanisms. **Note:** Be sure to leave the extra service loop length so cables are allowed to follow the swing and flip motion.

WMA-HR Series

Wall Mount Half Width Rack Equipment Cabinets

Opening the Cabinet for Maintenance

1. The lock and slam latch are located on the top of the cabinet.
2. Unlock the cabinet lock on the top of the cabinet.
3. Locate the handle pocket on the bottom of the main cabinet.
4. Pull outward on this bottom handle pocket while squeezing the latch paddles towards each other. The cabinet should begin its swing and flipping motion. With typical cabinet loading, the motion will stop and be self-supporting around approximately 10° as shown in the drawing.
5. Carefully transfer both hands to the top handle. **WARNING:** Dangerous pinch points exist! Use the top handle as instructed. Keep all additional personnel and/or body appendages away from the swing mechanisms.
6. Using both hands on the top handle, complete the swinging and flipping motion noting that a portion of the cabinet's total weight could cause a sudden acceleration in the final moments of the motion.



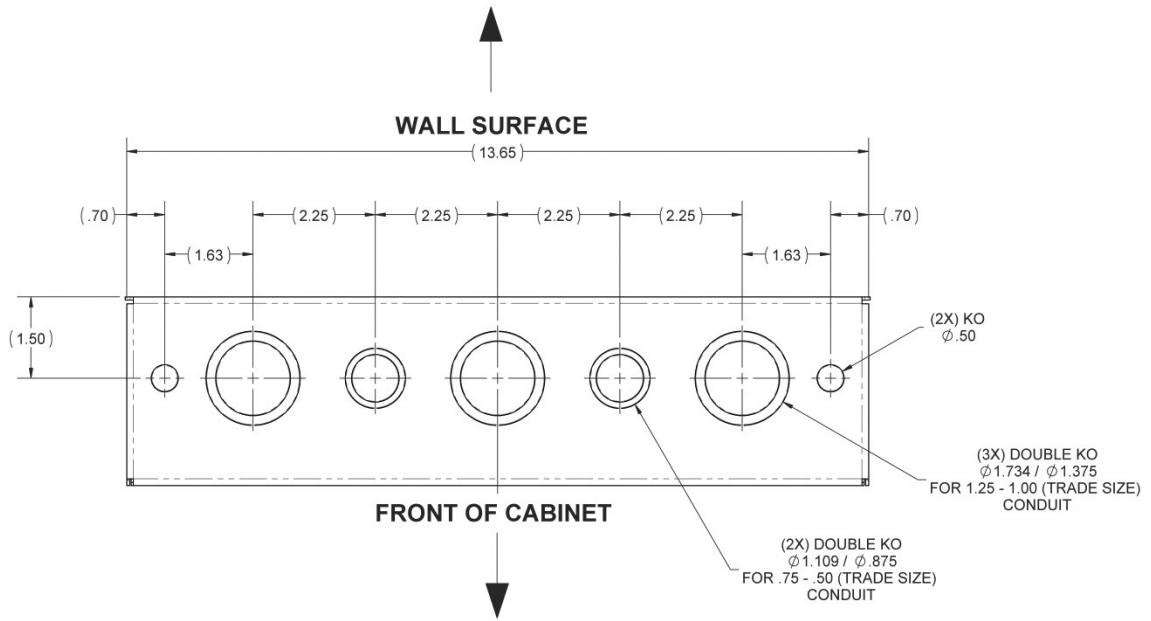
Closing the Cabinet After Maintenance

1. **Be Sure The Slam-Latch Is Unlocked.** Test that the latch paddles may be squeezed towards each other. Damage can occur if the paddles are locked during cabinet closing.
2. Using both hands on the top handle, carefully pull the main cabinet through the swinging and flipping motion noting that a portion of the cabinet's total weight could cause a sudden acceleration in the final moments of the motion. **WARNING:** Dangerous pinch points exist! Use the top handle as instructed. Keep all additional personnel and/or body appendages away from the swing mechanisms.
3. With typical cabinet loading, the swing motion will stop and be self-supporting around approximately 10° as previously shown.
4. Locate the handle pocket on the bottom of the main cabinet. Lifting up on this handle and pushing the main cabinet into the wall will cause the cabinet to close and the slam-latch to automatically engage.
5. Always lock the cabinet so that unauthorized personnel cannot gain access to installed equipment.

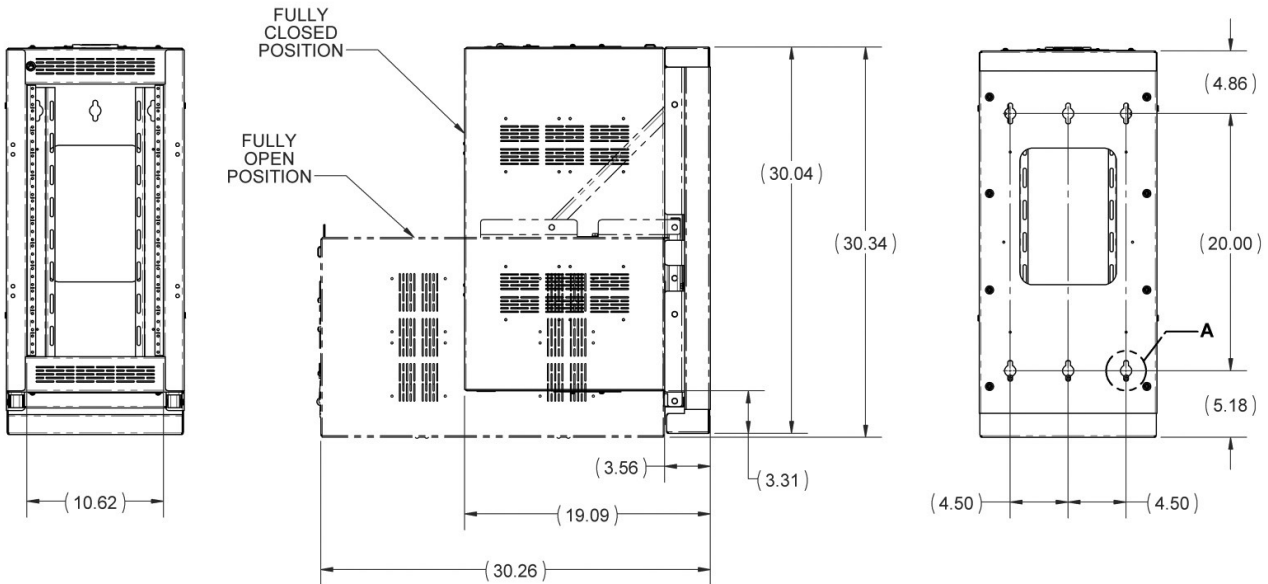
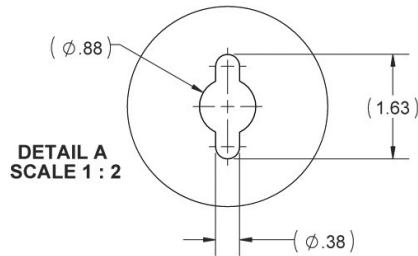
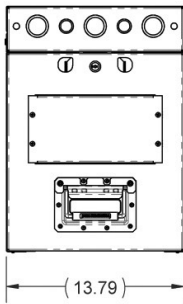
WMA-HR Series

Wall Mount Half Width Rack Equipment Cabinets

WMA-HR Back-Box Conduit Placement



WMA12-19-HR Dimensions

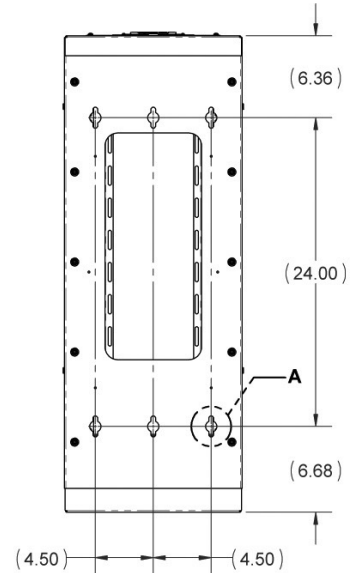
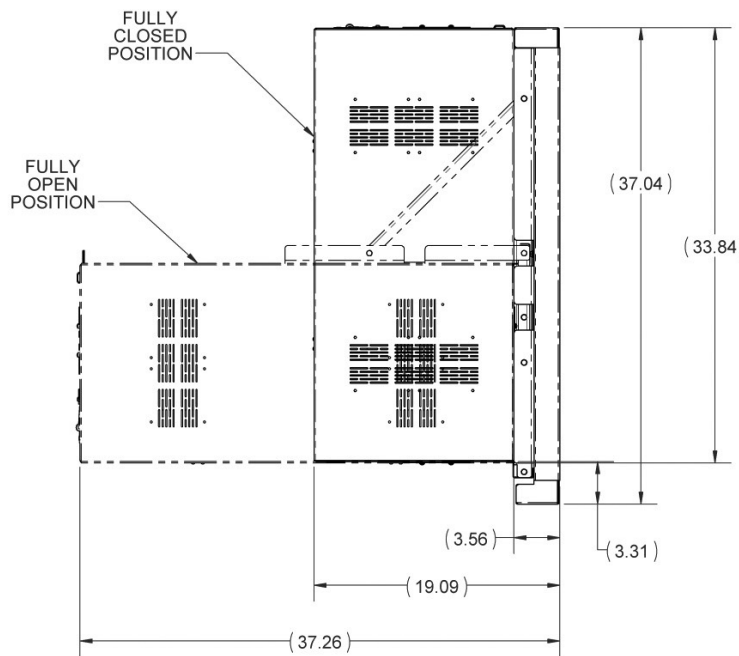
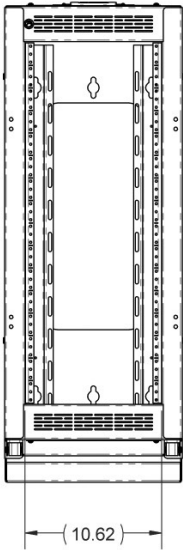
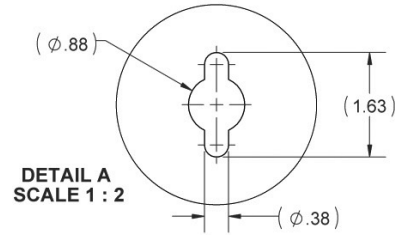
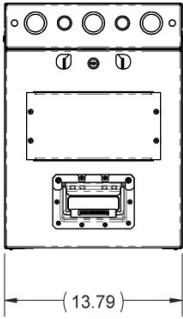


©2013 Atlas Sound L.P. All rights reserved. Atlas Sound is a trademark of Atlas Sound L.P. All other trademarks are the property of their respective owners. All specs are subject to change without notice. P/N 493887 ATSO04701 RevA 8/13

WMA-HR Series

Wall Mount Half Width Rack Equipment Cabinets

WMA16-19-HR Dimensions



©2013 Atlas Sound L.P. All rights reserved. Atlas Sound is a trademark of Atlas Sound L.P. All other trademarks are the property of their respective owners. All specs are subject to change without notice. P/N 493887 ATSO04701 RevA 8/13