

# LAR150

## Install Sheet



The LAR150 is designed for use with standard 19" Racks with 18 $\frac{5}{16}$ " screw spacing. The LAR150 has a floating pin arrangement which allows for a  $\pm 2$ mm variation in the 10-32 tapped rail spacing. The LAR150 is rated to hold 150 pounds of unsupported equipment.

### Operating Instructions

1. Grip the LAR150 handles and open all the way to the stops.
2. Insert the unit in the space just below where you want to mount equipment.
3. Be sure unit is level (same rack space on both sides) and slide the support pins into the 10-32 tapped rail holes.
4. Close the handles and the unit is locked in.
5. Place equipment on the LAR150 as if it were a shelf and slide mounting ears against the mounting rails.
6. Install mounting screws to mount the equipment.
7. Open the handles and remove the LAR150.

### Adjustment

1. The LAR150 has an adjustment to compensate for wear and/or mounting rail manufacturer variations.
2. When the LAR150 is clamped in place, it should have the mounting rail firmly clamped, with no play. The handles should close fully as well. If handles do not close fully, clamp is too tight.
3. To adjust, loosen screws "A" and "B" and turn screw "C" clockwise to tighten clamp, counter clockwise to loosen. (If loosening, push handle base to maintain screw contact.)
4. Tighten screws "A" and "B" and check for the installed fit described in #2.
5. Repeat process if necessary for both sides.

### Maintenance

1. The LAR150 should need no maintenance.
2. However, if a support pin is broken it will need to be replaced.
3. The Pin Bar and screws can be purchased from Atlas Sound in the repair kit part number LAR-K.
4. To replace, remove the 2 screws shown in figure 2. This will release the retainer.
5. Discard broken Pin Bar, insert new unit and replace the retainer using the replacement screws.

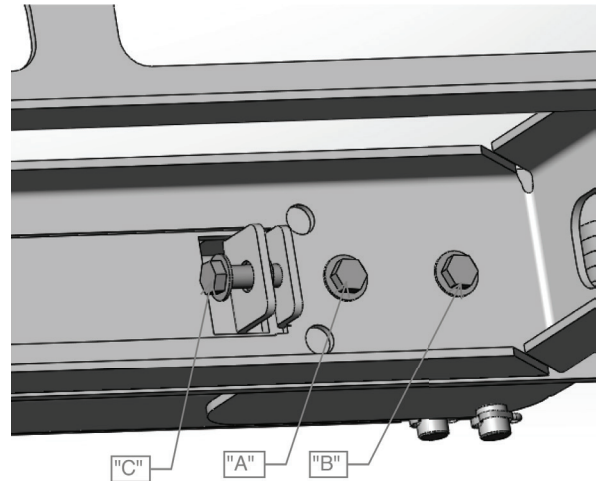


Figure 1

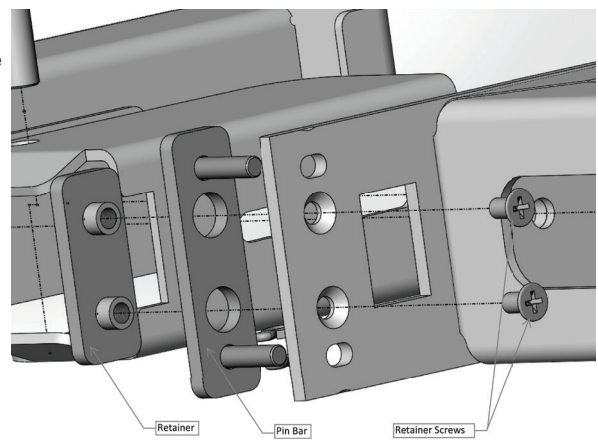


Figure 2