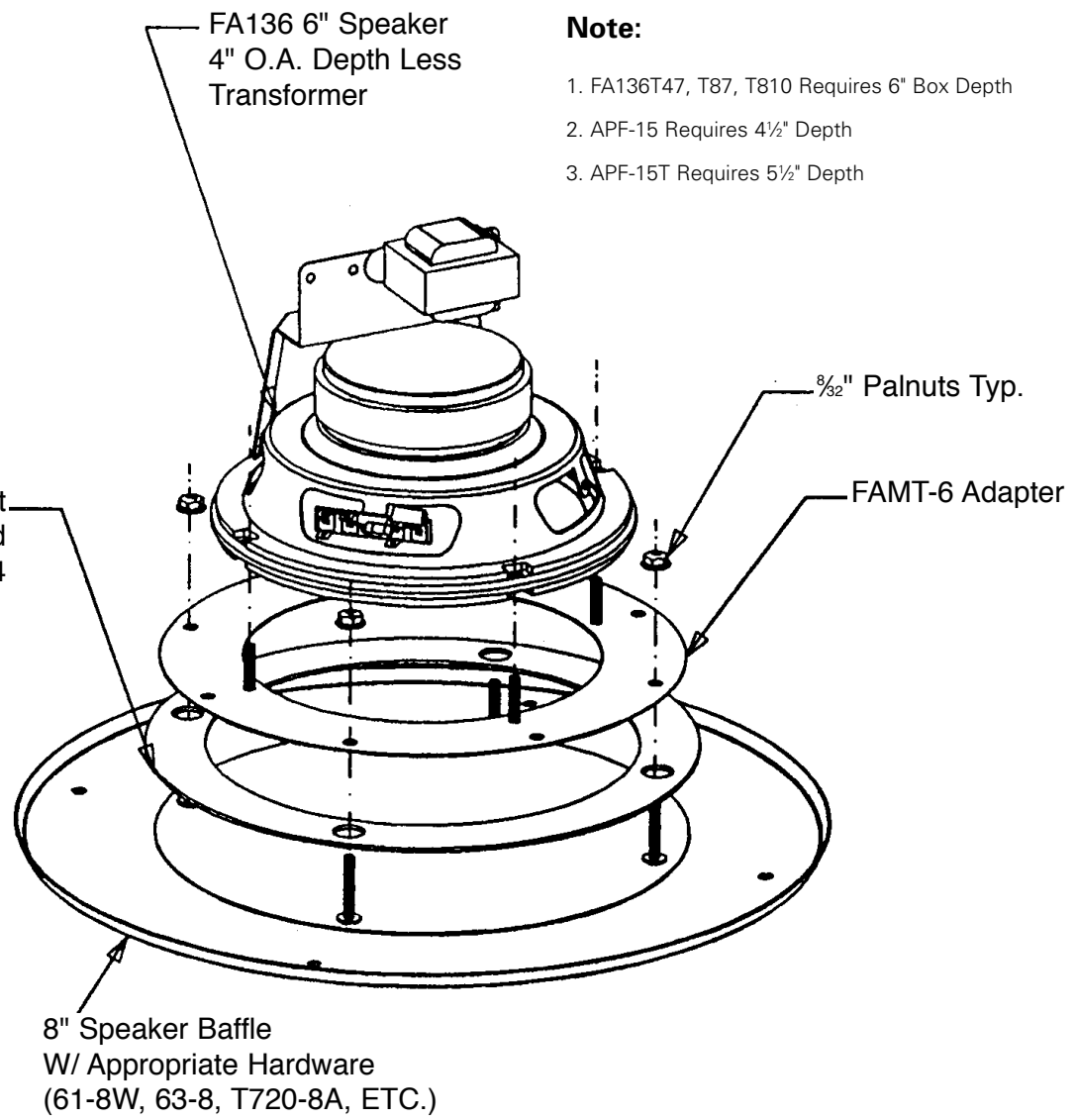


FAMT-6

Mounting Ring/Adapter

FAMT-6 Instruction Sheet Contents:

1. FAMT-6 Adapter Ring 8" TO 6" P/N 377893
2. (Four) Palnuts P/N 112992
3. Gasket P/N 413314



Note:

1. FA136T47, T87, T810 Requires 6" Box Depth
2. APF-15 Requires 4½" Depth
3. APF-15T Requires 5½" Depth

©2012 Atlas Sound L.P. All rights reserved. Atlas Sound is a trademark of Atlas Sound L.P. All other trademarks are the property of their respective owners. All specs are subject to change without notice. ATS004353 RevA 5/12