



Telephone Intercom Accessories

CE Series, Options -DT, DY, LT600-VC, TPS24-05, TS302A



CE-2A-AC

TS302A

Features

- Units are Designed for Use with Telephone Intercoms or Paging Systems
- Circuitry Provides Precise Speech Reproduction.
- Shipped Assembled and Wired to a Barrier Strip Terminal Block on the Mounting Plate with Color Coded Leads and Spade Plugs.
- Brushed Steel Wall Plates Fit Standard Electrical Boxes (Hardware Included)
- DPDT Style Hookswitch can be Wired as Form A, B, or C to Meet Your System Needs.

Wall Mount Handset/Hookswitch Assemblies

CE-2A-AC Series features a standard "500" style neutral color handset with a chrome hookswitch, and brushed stainless steel plate. The hookswitch is a leaf type with cross bar palladium contacts for long-life and trouble-free operation. Model CE-2A has a flexible coil cord. Model CE-2A-AC includes a 25" (635mm) stainless steel armored cable, securely fastened to mounting plate and handset for installations that require vandal protection. [Option requires 3/4" (83mm) in front of plate, 1/2" (38mm) behind plate].

CE Series Specifications

Switch	2 form "C", DPDT
Contact rating	1 amp @ 24VDC
Transmitter	High quality carbon (25-50Ω impedance)
Receiver	Magnetic, ring armature diaphragm (150Ω impedance)
Handset	Neutral color high impact thermoplastic
Hanger	Chrome plated steel (CE Series)
Mounting Plate	Type 304 brushed stainless steel CE Series

CE-2A

Mounting Plate	2 Gang
Push-To-Talk Switch Option*	-PT
Width	4½" (114mm)
Height	4½" (114mm)
Depth	2¼" (57mm)
Weight	1.2 Lbs. (.55 kg.)

CE-2A-AC

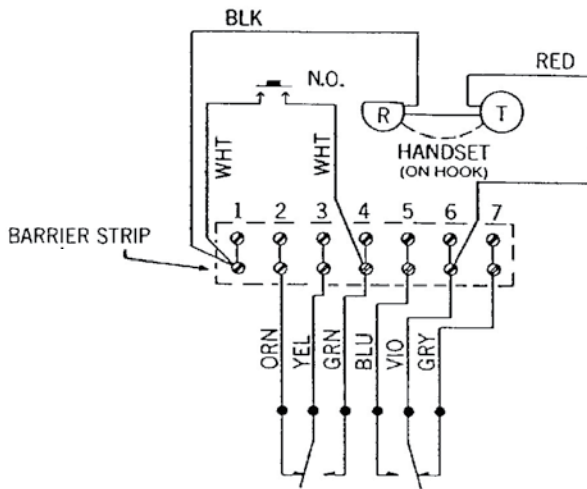
Mounting Plate	2 Gang
Push-To-Talk Switch Option*	—
Width	4½" (114mm)
Height	4½" (114mm)
Depth	2¼" (57mm)
Weight	1.2 Lbs. (.55 kg.)

* Suffix Model with (-PT)

©2011 Atlas Sound L.P. All rights reserved. Atlas Sound and Strategy Series are trademarks of Atlas Sound L.P. All other trademarks are the property of their respective owners. AT5004133 RevA 7/11



PT OPTION



Standard Wiring Diagram



TPS24-05

Surface Mounting Telephone Intercom Enclosure

Sturdy CRS box is designed for surface mounting Atlas Sound intercom station Series CE. Knock-outs are provided on the bottom and back. Two mounting holes are conveniently located for mounting to an outlet box if required. Finish is neutral gray epoxy.

Model	Mounts	W	H	D	Weight
TS302A	CE-2A(-AC)	4 ¹ / ₁₆ " (119mm)	4 ⁵ / ₈ " (117mm)	2 ¹⁵ / ₃₂ " (63mm)	1 Lb. (.45 kg.)

PT OPTION: Push-To-Talk Button Switch

This factory-installed option consists of a standard "500" style handset with the addition of a pushbutton switch located conveniently on the handset. The switch-contact arrangement is form "C" (SPDT) and is wired as form "A" (SPST). Configuration is ideal for use in relay-control, push-to-call, and a variety of other switch, communication, and signaling applications. It is available on CE-2A (-PT) suffix.

DY-1 Dynamic Transmitter

This accessory is designed for installations in which the telephone handset would be used as a paging microphone. The dynamic transmitter is the low-impedance type suitable for input to the Lo-Z microphone input of the amplifier. Assembly replaces the carbon transmitter with a moving coil (dynamic, 500Ω @ 1kHz with a response of 250Hz - 5kHz) transmitter that has an impedance of 500Ω @ 1kHz.

Accessories & Replacement Parts for CE Series

Model	Description	Color	Weight
RU-1	Receiver	-	.5Lb. (.2 kg.)
TU-1	Transmitter	-	1.5 Lbs. (.7 kg.)
DY-1	Dynamic Transmitter	-	1 Lb. (.4 kg.)

Telephone Power Supply for Common-Talk Systems

The TPS24-05 is a combination 24VDC / TALK voltage power supply, engineered to power most common-talk telephone intercom systems. Black epoxy finish with a 6' power cord.

Input	117VAC@ 60Hz, 26 Watts
Output (Nominal)	24VDC @ ½ amp
Ripple (Talk Voltage)	.5mV & TALK Voltage Output
Regulation (0-Full Load)	500mV
Length	6¾" (171mm)
Height	3⅝" (92mm)
Depth	2" (51mm)
Weight	3.0 Lbs. (1.4 kg)



LT600-VC

600Ω Impedance Matching Transformer

LT600-VC. Versatile unit matches line level, 600Ω line circuits with HI-Z circuits. It can also be used as a 600Ω to 600Ω isolation transformer. Recommended for coupling of line level audio or common-talk phones into amplified sound systems, background music and paging systems, recording equipment, or studio electronics. Built-in potentiometer provides optional adjustability for the 25K output level. The 600Ω input may be matched to 600, 10K, and 25K-Ω circuits. All components are mounted on a printed circuit board. Steel chassis includes mounting ears and "insta-mount" tape. Transformer is shielded to minimize induced hum. Unit includes a phono jack on the output side for convenient connection to amplifier or other equipment circuitry. Jack can be connected to various transformer taps via barrier strip jumper. (Factory-installed jumper connects jack to potentiometer output.)

Input Imp.	600Ω
Output Imp.	600Ω, 10KΩ, 25KΩ
Frequency Resp.	60Hz-120kHz
Width	4 ⁷ / ₈ " (124mm)
Height	3 ¹ / ₈ " (80mm)
Depth	1 ³ / ₄ " (44mm)
Weight	2.5 lbs (1.1 kg)