



APT-34AT

Omni-Purpose® 30-Watt Bi-Directional Loudspeakers



APT-34AT

Features

- Twin Reflex Projectors Provide High Efficiency Bi-directional Sound Dispersion
- Element Resistant Construction for Indoor or Outdoor Installations
- Built-In 25V, 70.7V, 100V Transformer with Seven-Position, Impedance Switch for Application Versatility
- Omni-Purpose Mounting Bracket for Positioning Flexibility on Vertical or Horizontal Planes
- Optional Accessories for Vandalism Protection

Applications

Surface mounting loudspeaker utilizes a single driver and twin projector to provide cost-efficient, bi-directional sound dispersion. Environment resistant assembly is recommended for paging, talkback, security and tone signaling in corridors, stairwells, walkways, under eaves and along building perimeters of transportation platforms, warehouses, loading docks, parking lots, garages, sports, and recreational facilities.

General Description

Atlas Sound Model APT-34AT is a high-intelligibility loudspeaker with a single compression driver which delivers 30 Watts of power and 175° sound dispersion in opposite directions. It incorporates the exclusive Vari-Tap®-control connect center, which features a built-in 25V, 70.7V,100V transformer and a seven-position watts/impedance switch (screwdriver adjustable) with a 45Ω tap. Model APT-34AT is environment-resistant and includes a protective terminal cover with built-in cable strain relief for versatile indoor/outdoor intercom and signaling use. The single adjustment Omni-Purpose mounting bracket provides positioning flexibility on conventional surface installations (vertical and horizontal planes) and includes provisions for strap-mounting to I-beams or pillars. Dimensions are 16½" L x 9¾" Diameter (419mm x 248mm). For cable/conduit installations, Model BX-2A is available. APT-34AT is finished in durable grey epoxy. Weight is 9 lbs.(4.1kg).

Specifications

Model	APT-34AT
Power Rating	30 Watts
Frequency Response	450Hz-12.5kHz (±5dB)
Sensitivity	101dB 1 Watt /1 Meter (avg)
Dispersion Angle	175° (-6dB, 2000 Hz octave band)
Length	16½" (419mm)
Diameter	9¾" (248mm)
Weight	9 lbs. (4.1kgs)
Finish	Baked epoxy

Power Taps

25V	.9, 1.8, 3.7, 7.5, 15
70.7V	1.8, 3.7, 7.5, 15, 30
100V	4, 7.7, 15, 30

Driver Protection

The horn loudspeaker should not be operated at frequencies outside the horn cut-off. It is suggested that any program material be high-passed at 300Hz with a 6dB per octave filter. This can be done with a low level filter at the amplifier input or by a series capacitor at each loudspeaker. Electrolytic capacitors can be used but they must be non-polarized (See Typical Capacitor Values Chart).

Typical Capacitor Values

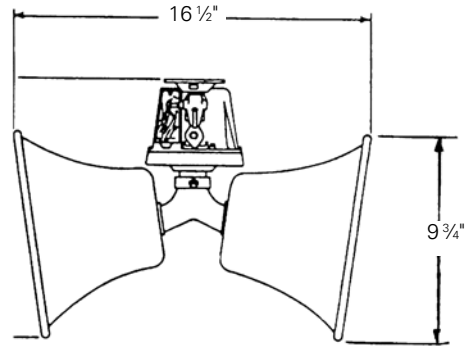
8Ω Driver	25V Line	70V Line	100V Line
70 mfd	30 mfd	4 mfd	2 mfd

Electrolytic capacitors can be used but they must be non-polarized.

©2011 Atlas Sound L.P. All rights reserved. Atlas Sound and Strategy Series are trademarks of Atlas Sound L.P. All other trademarks are the property of their respective owners. AT5004103 RevA 7/11

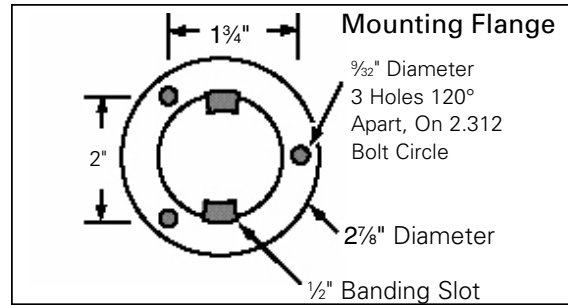
Architect and Engineer Specifications

Loudspeaker shall be bidirectional, twin projector Atlas Sound APT-34AT or approved equal. Full range audio power rating shall be 30 Watts. Frequency response shall be 400Hz –12,500kHz (nominal), 450Hz–12.5kHz (±5dB). Sound pressure level shall be 112dB (30W/1M), 101dB (1W/1M). Sound dispersion of the double re-entrant type dual-exponential bells shall be 175° in each direction. Model shall have impedance selection via seven position switch including a 45-Ω tap. Power taps shall be available at 0.9, 1.8, 3.7, 7.5, 15 Watts on 25V line, 2, 3.8, 7.5, 15, and 30 Watts on 70.7V line and 4, 7.7, 15 and 30 Watts on 100V line. For wiring and vandalism protection, Atlas Sound _____ (Model BX-1A) armored cable adapter shall be available where specified. Finish shall be grey baked epoxy. Dimensions shall be 16½" long x 9¾" bell diameter. Weight shall be 9 lbs. (4.1kg).



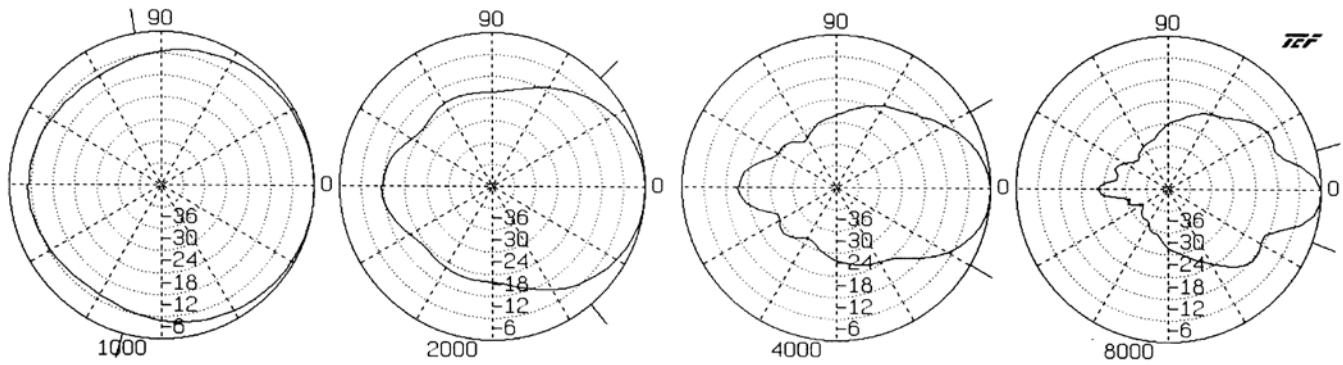
Accessories

BX-2A. Vandal Resistant Cover Plate for Armored Cable and Conduit Connection. Constructed of Cast Aluminum.

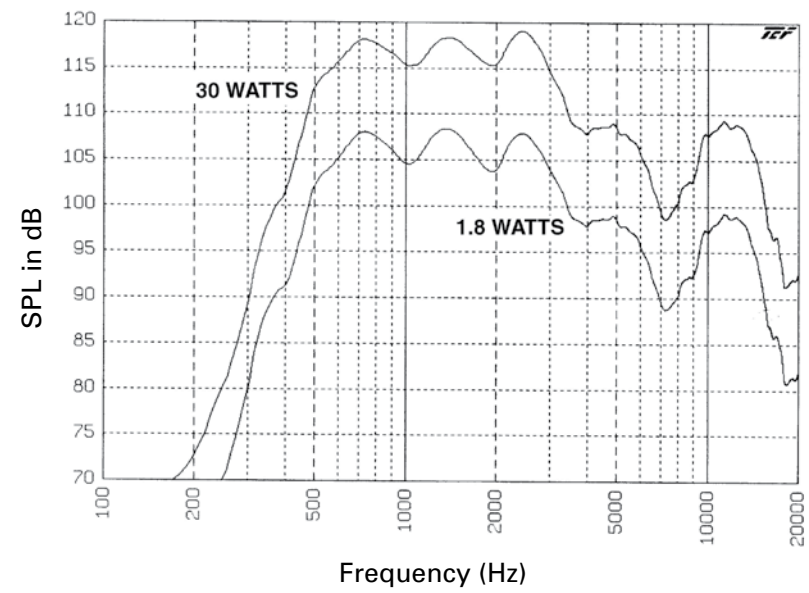


Atlas Sound products are designed and tested in our well-equipped research laboratory which contains a fully anechoic chamber, complete analog Bruel & Kjaer measurement equipment and the TEF 20® audio analyzer. Atlas Sound is proud to be a beta site for TEF® software.

APT-34AT Polars (Normalized to Zero on Axis) (-6dB)



APT-34AT Frequency Response



APT-34AT Harmonic Distortion

