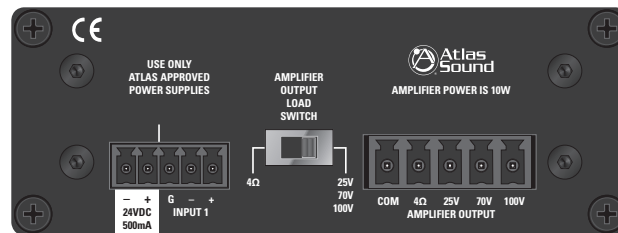
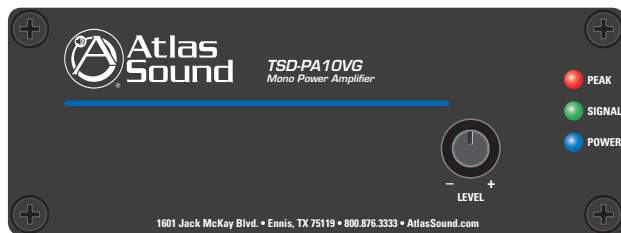


TSD-PA10VG

Mono 10W Power Amplifier



TSD-PA10VG

Features

- 10W into 4Ω
- 5W into 8Ω
- 10W into 25V/70V/100V Loads
- One (1) Balanced Input
- Removable Level Control with Set-It-And-Forget-It Security Cover
- Peak Indicator LED
- Input Signal Indicator LED
- Cable Management System
- Multiple Mounting Configurations
- Separate Ground Connections
- Removable Phoenix Style I/O Connectors
- Meets Most Energy Standards
- Compact Chassis Design

Audio Applications

- Projector Amplifier
- Zone Amplifier
- Paging Systems

Description

The AtlasIED TSD-PA10VG is a single channel global amplifier that can deliver up to 10W into a 4Ω, 8Ω, 25V, 70V, or 100V speaker load with a balanced mono phoenix style input. The Atlas PA10VG only draws 2.8W when in idle and is over 70% efficient to meet most energy power consumption standards. The front panel has an input level control as well as power, signal, and peak LED indicators. The suggested TSD external power supplies are wide range AC types and will work from 100-240VAC to accommodate global power systems.

The TSD-PA20VG is highly efficient and meets most energy standards as one 24V DC power supply (available separately) can power multiple Atlas Time Saving Devices.

Atlas Time Saving Devices

New AtlasIED Time Saving Devices are designed to solve some of the common audio system problems in the easiest and in the most efficient and cost-effective way. Utilizing the highest quality components and inspired by real world installation issues, the AtlasIED TSDs include mixers, amplifiers, preamps, and other distribution and control devices to simplify your connections, provide specific application needs, and add flexibility in expansion and changes that prevent expensive system overhauls.

The Time Saving Devices are loaded with features making it versatile and user friendly. The TSD design mandate was to make the installation quick and reliable, saving you valuable time and money. Each model is housed in a compact 1.5" x 4" x 2.75" footprint that allows for placement almost anywhere. Common features include removable individual I/O connectors for quick and precise wiring, separate ground terminals for all I/Os assuring secured connections, and removable level controls that can be replaced with a tamper-resistant security cover.

Installation

- Courtrooms
- Public Forums
- Churches
- Restaurants
- Schools
- Industrial Facilities
- House of Worship

Specifications

Description	Monol Commercial Power Amplifier
Chassis Color	Black
Chassis Material	Aluminum
Power Output	10W @ 4Ω, 5W @ 8Ω, 10W @ 25V = 62Ω, 70V = 490Ω, 100V = 1000Ω Loads

Inputs

Type	Qty 1, Balanced Line
Connection	Removable 3 Position Captive Screw 3.5mm Spacing
Impedance	10KΩ Balanced, 5KΩ Unbalanced
Line Input Level	500mV (-6dBV) Balanced

Outputs

Output Taps	4Ω, 25V, 70V, 100V
Type	Speaker Output
Connection	Removable 5 Position Captive Screw 5mm Spacing
Wire Size	14 Gauge Max

Controls

Level Control	Qty 1, Removable Knob with Security Cover
---------------	---

Indicators

Input Signal	Green, 25mV On Threshold
Peak	Red, -3dB Before Clip
Power	Blue

Electrical

Frequency Response	40Hz - 20kHz (±3dB)
THD	0.5% & 1kHz
Signal to Noise	78dB

Power Requirements

Load Taps	4Ω, 25V = 31Ω Load, 70V = 245Ω Load, 100V = 500Ω Load
Voltage	24VDC 1000mA
Idle Current	60mA
Idle VA Watts	2.8W
Average Current	110mA
Average VA Watts	6.7W
Max Current	500mA
Max VA Watts	14W

Dimensions

H 1.5" (39mm) x W 4" (101mm) x D 2.75" (70mm)

Weight

6oz, .165kg

Included Accessories

Velcro™	Industrial-Grade
Multi-Mount Plate	Qty 1, Includes Two (2) M3 x 4mm Screws
Cable Retainers	Qty 2
Level Control	Knob Qty 1
Level Control Security Cover	Qty 1

Optional Accessories

TSD 24VDC	Power Supply
TSD-RMK	1 RU 19" Width Rack Mount Panel (Supports 4 TSD Units)
TSD-RMKHR	1 RU Half Rack Width Panel (Supports 2 TSD Units)
TSD-RRMK	Rear Rack Mounting Kit

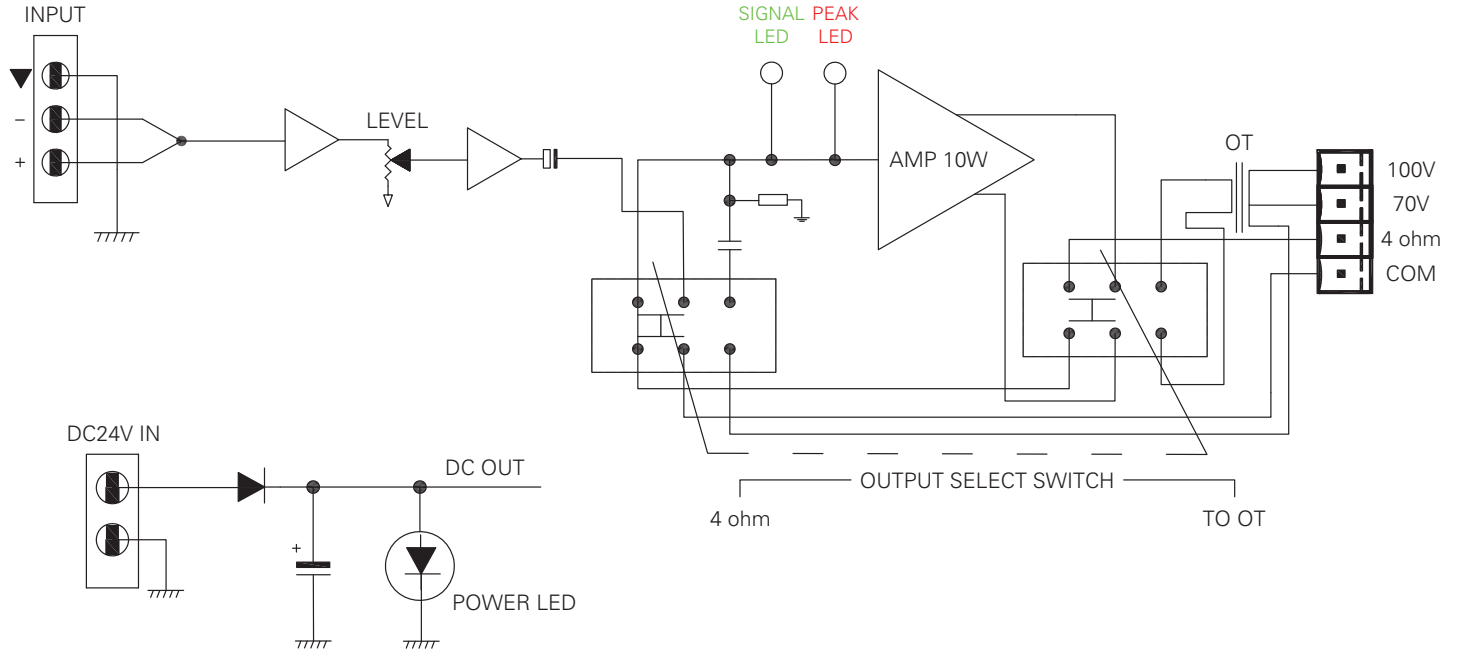
Note: All Current and Watt data is based on AC power consumption using the TSD-PS24V2500mA Power Supply

Safety and Certifications

External Power Supply

cUL, CE, RoHS, TUV

Block Diagram



©2018 Atlas Sound LP. The Atlas "Circle A" Soundolier, and Atlas Sound are trademarks of Atlas Sound L.P. IED is a Registered Trademark of Innovative Electronic Designs LLC. All rights reserved. All other Trademarks are property of their respective owners. No endorsement is implied. Due to continual product development, specifications are subject to change without notice. ATSO04064 RevC 1/18