



PM8GD

Pendant Mount Speaker Series



PM8GD-B

Features

- 8" GD87 driver provides 105° (52.5° off-axis) coverage in the 2 kHz octave band - 6 dB Points.
- 70.7V taps @ 1, 2, 4 and 8 Watts plus 8 Ω direct input via concealed terminal block
- Extreme high efficiency (96 dB 1 W/1 M) allows for lower tap settings and more loudspeakers per amp channel in many installations

Technical Specifications

Power Rating:	15 Watts @ 8 Ω
70.7 Taps:	1, 2, 4, & 8 Watts
Frequency Response:	55 Hz — 15 kHz (±7 dB)
Sensitivity(1W/1M):	96 dB Average
Dispersion Angle:	105° (2 kHz Octave Band, -6 dB Points)
Woofer Mag. Wt.:	10 oz. (311 g)
Woofer:	8" Treated Paper
HF Driver:	Coaxially Mounted 3" Treated Paper
Enclosure Dimensions:	Diameter - 12.25" (311 mm) Overall Height - 16.62" (422 mm)
Enclosure Volume:	1075 In ³ (17 616.09 cm ³)
Weight:	17 lbs (7.71 kg)

Applications

The Atlas Sound PM8GD features the popular GD series coaxial driver to provide familiar response and high efficiency while retaining economy when high density speaker counts are required in page only applications.

Attaching the PM8GD to most overhead surfaces is a breeze. For open beam ceilings a 3 meter cable kit is included with a self gripping ferrule system. If down pipe installation from hard ceiling material is required, any ¾" ceiling fan installation kit may be utilized. These kits are readily available under the FANTEC™ brand from home improvement stores with various down pipe length options to provide installation ease regardless of ceiling material angle (Up to 45°).

Either installation solution is discreetly implemented via the PM series innovative top cover design. This "cap" includes a cable access plug that is easily removed for down pipe mounting. The cover also completely conceals the speaker cable terminations and the suspension anchor points.

Several packages are offered to suit various coverage pattern and installation scenarios. For low ceilings, Atlas Sound offers a discrete enclosure system containing a ultra wide coverage 8" GD series driver. For higher ceiling applications, Atlas Sound PM series answers the need for a variety of budget and performance requirements with three different 8" driver options, factory assembled into in a larger yet still attractive pedant style enclosure.

Available in black or white enclosure finish.



PM8GD-B Hanging

Architect & Engineer Specifications

The loudspeaker system shall include a high performance 8" coaxial loudspeaker in a tuned and ported bass reflex enclosure and form fit grille for conventional ceiling installation via cable or down tube mounting system. The low-frequency reproducer cone shall be 8" (203 mm) in diameter and the high frequency reproducer cone shall be 3" (76 mm) in diameter. The woofer shall have a 10 oz. (260 g) ceramic magnet; the tweeter shall have a 2.35 oz. (67 g) ceramic magnet. The two reproducer sections shall be coupled through a built-in crossover network. The crossover frequency shall be at 2800 Hz.

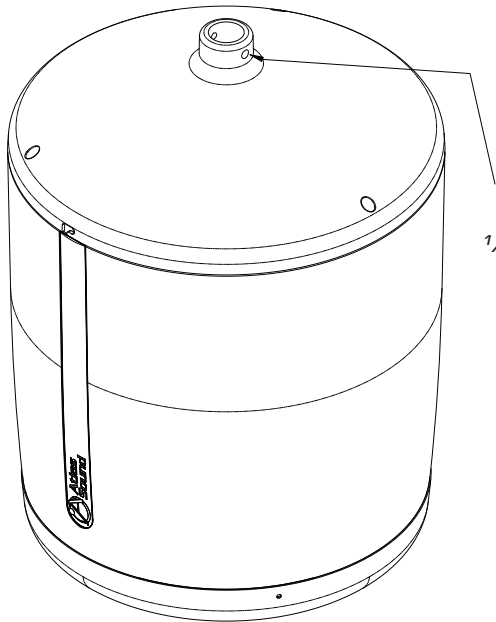
Frequency response range shall be 55 Hz – 15 kHz (± 7 dB). Average sensitivity shall be 96 dB (1 W/1 M). Low frequency voice coil diameter shall be

1" (25 mm) and operate in a magnetic field of at least 10,600 gauss .

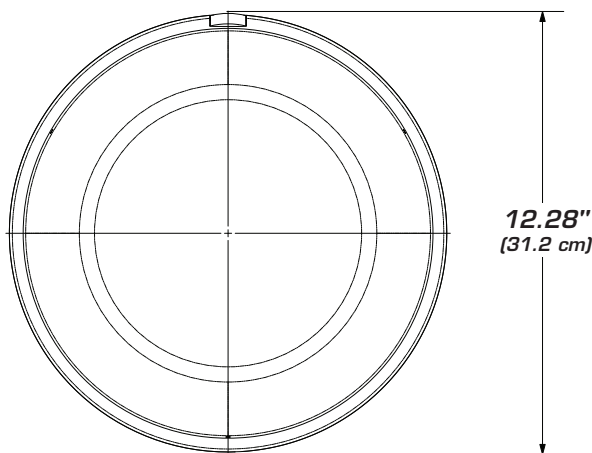
Transformer primary voltage shall be 70.7V with a frequency response of ± 1 dB 50 Hz – 15 kHz and power taps at 1, 2, 4, and 8 Watts. Insertion loss shall not exceed .6 dB



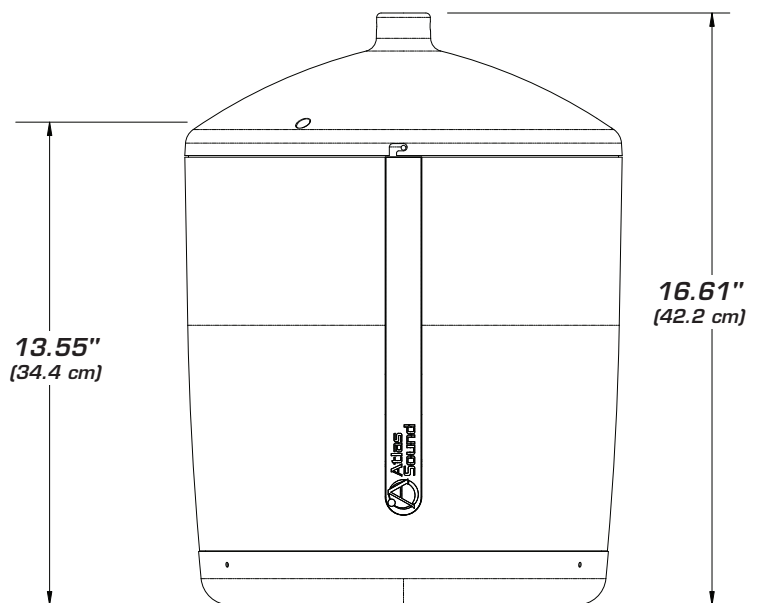
Tap Terminal Selection



1/4-20 Thread Hole for Securing Conduit Installation

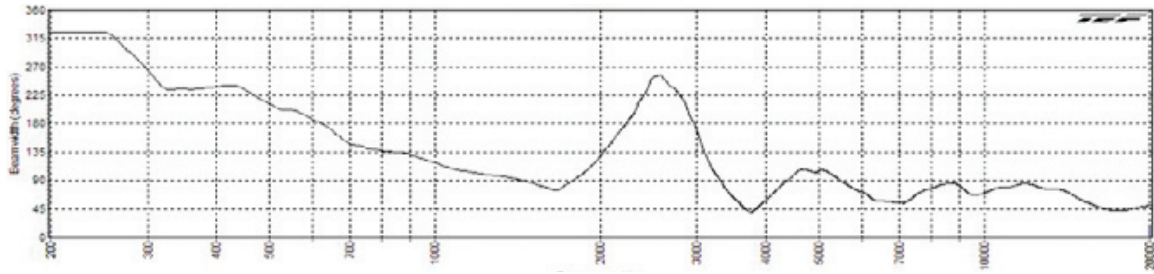


12.28"
(31.2 cm)

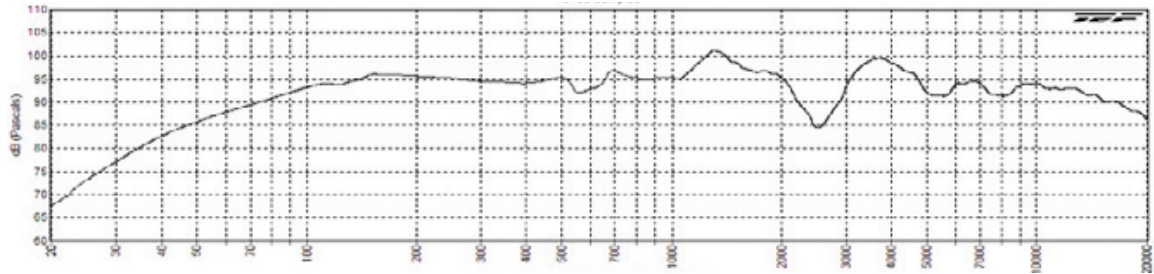


13.55"
(34.4 cm)

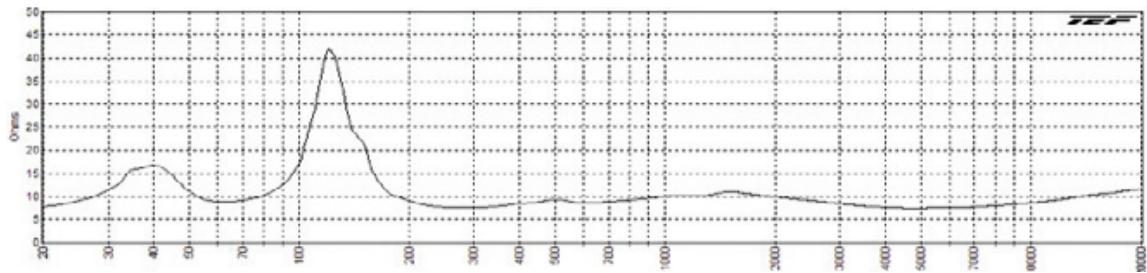
16.61"
(42.2 cm)



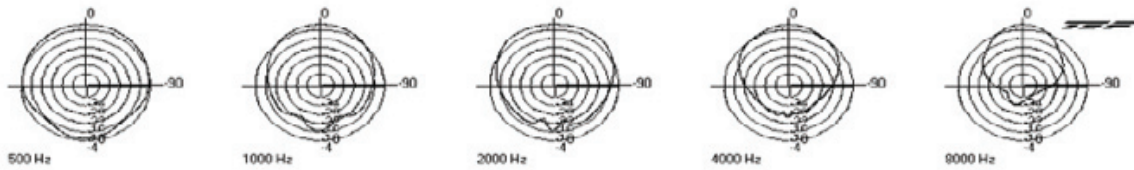
PM8GD Beamwidth



PM8GD Frequency Response



PM8GD Impedance



PM8GD Polar Charts